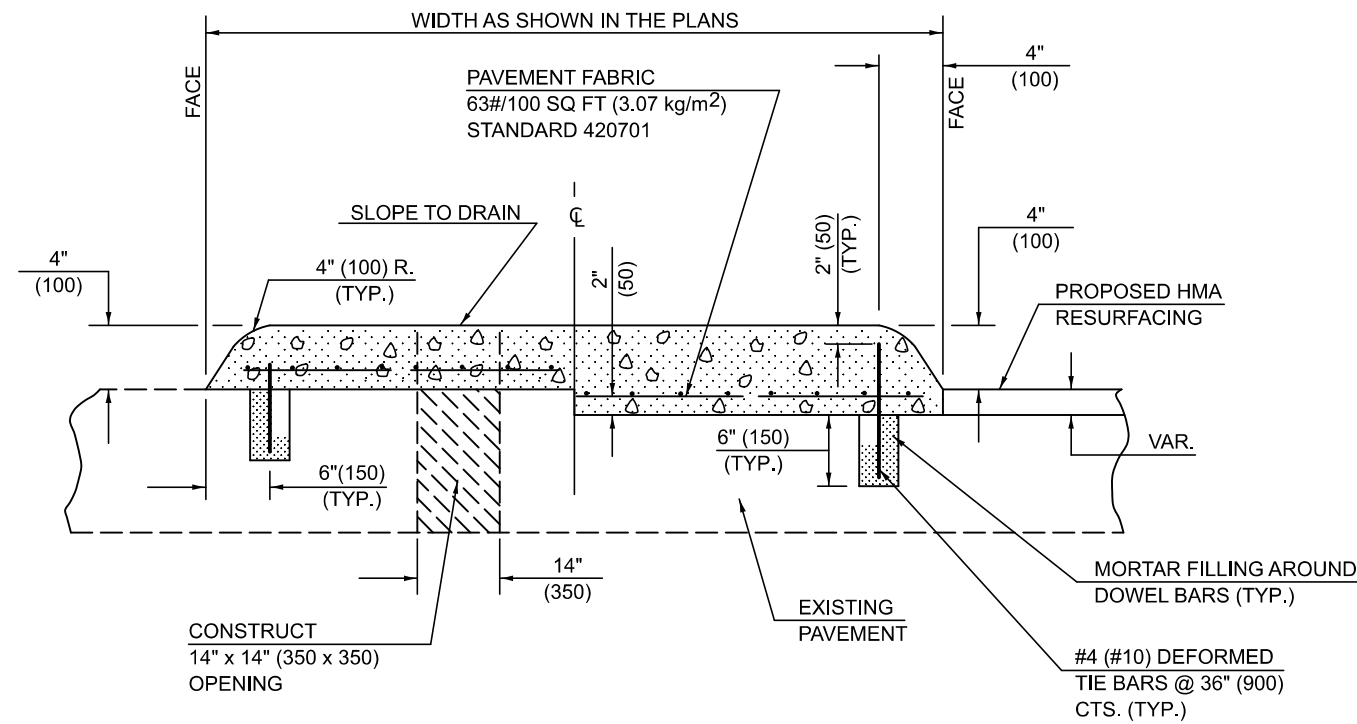
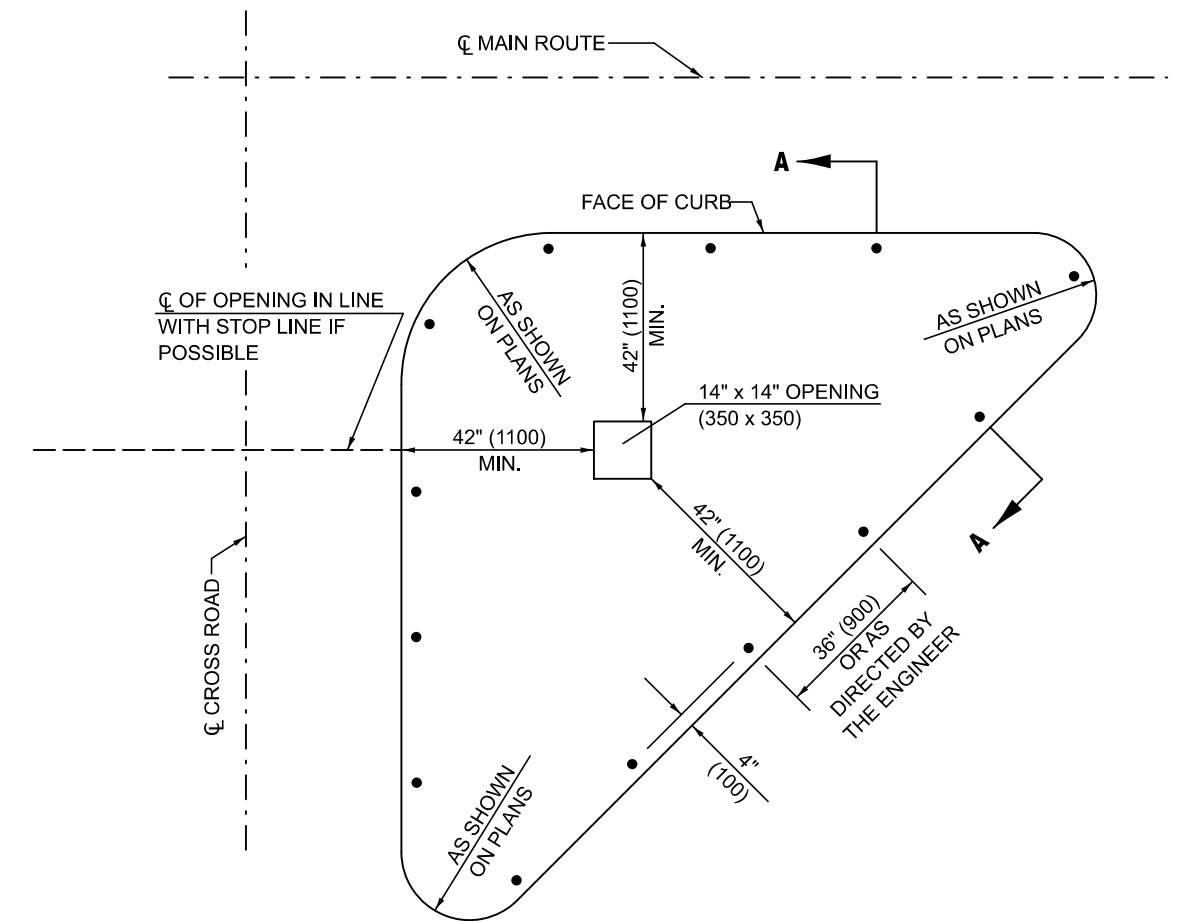


GENERAL NOTES

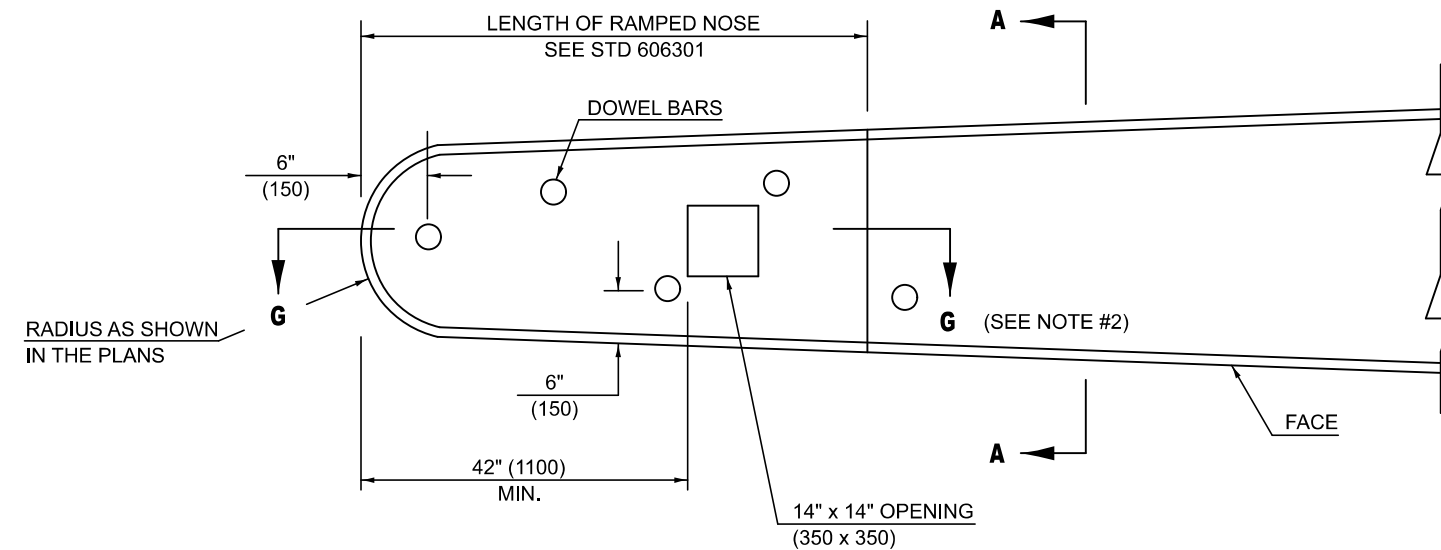
1. THE GENERAL NOTES FOR STANDARD 606301 SHALL APPLY.
2. SECTION G-G SHALL BE THE SAME AS SHOWN ON STANDARD 606301.
3. THIS WORK WILL BE PAID FOR AT THE CONTRACT UNIT PRICE PER SQUARE FOOT (m²) FOR CONCRETE MEDIAN, TYPE SM (SPECIAL), INCLUDING THE COST OF FURNISHING AND INSTALLING THE DOWEL BARS, MORTAR FILLING, PAVEMENT FABRIC AND THE REMOVAL AND DISPOSAL OF THE EXISTING PAVEMENT FOR THE 14" x 14" (350 x 350) OPENING, IF REQUIRED, AND NO ADDITIONAL COMPENSATION WILL BE ALLOWED.
4. OPENINGS FOR SIGNS IN MEDIANS AND ISLANDS SHALL BE AS SHOWN OR AS DIRECTED BY THE ENGINEER.
5. ISLAND AND MEDIAN NOSES SHALL BE RAMPED IN ACCORDANCE WITH STANDARD 606301.



SECTION A-A



PLAN OF CORNER ISLAND



PLAN OF MEDIAN

Note: All dimensions are in INCHES (millimeters) unless otherwise shown.

DISTRICT 5 DETAIL NO. 60621900

USER NAME = Bridgette.Pierson	DESIGNED -	REVISED - 11/06
	DRAWN -	REVISED - 3/6/17 SWN
PLOT SCALE = 0.16666633' / in.	CHECKED -	REVISED -
PLOT DATE = 4/25/2024	DATE -	REVISED -

**STATE OF ILLINOIS
DEPARTMENT OF TRANSPORTATION**

CONCRETE MEDIAN, TYPE SM (SPECIAL)

SCALE: SHEET 1 OF 1 SHEETS STA. TO STA.

F.A. RTE.	SECTION	COUNTY	TOTAL SHEETS	SHEET NO.
CONTRACT NO.				
ILLINOIS FED. AID PROJECT				

MODEL: 60621900
FILE NAME: c:\pwwork\work\concrete\detail\60621900.dgn