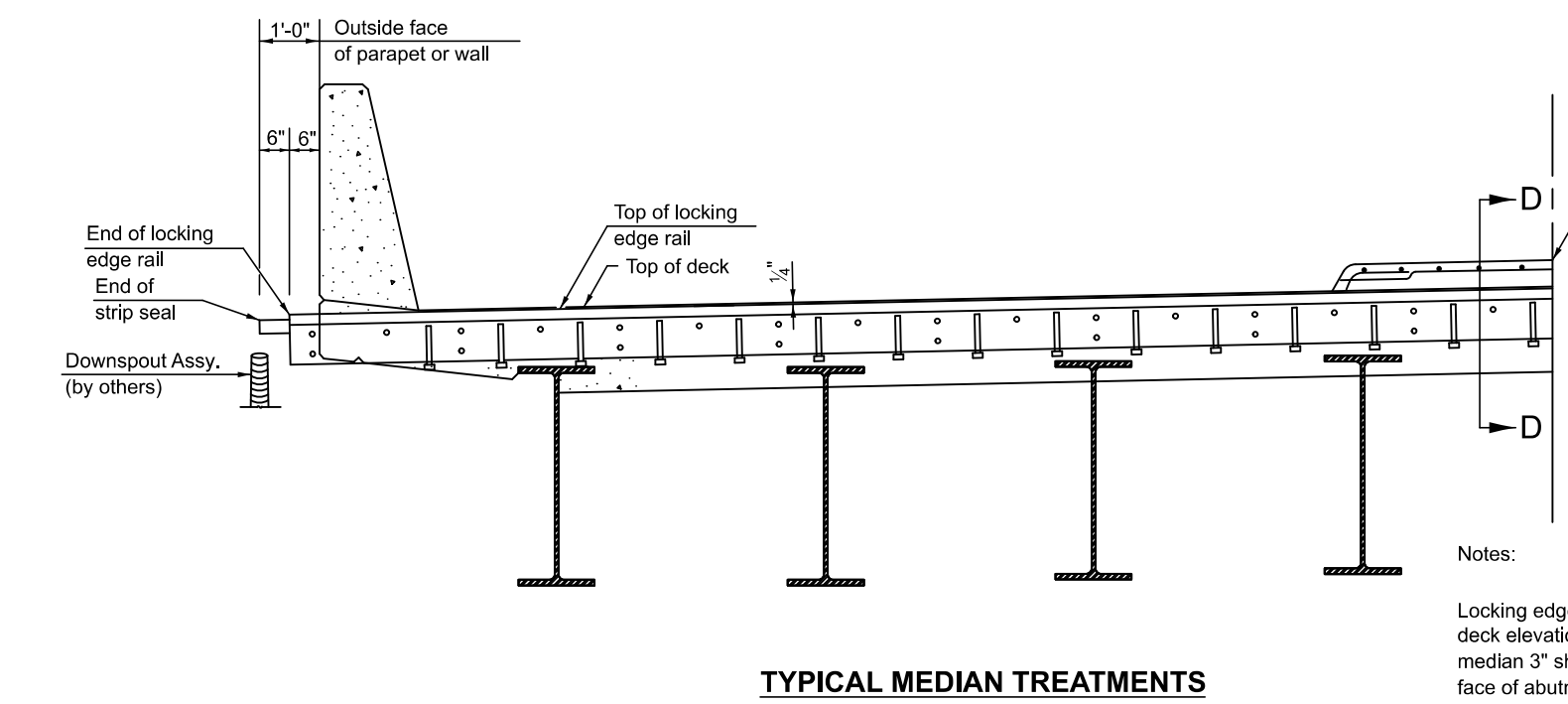
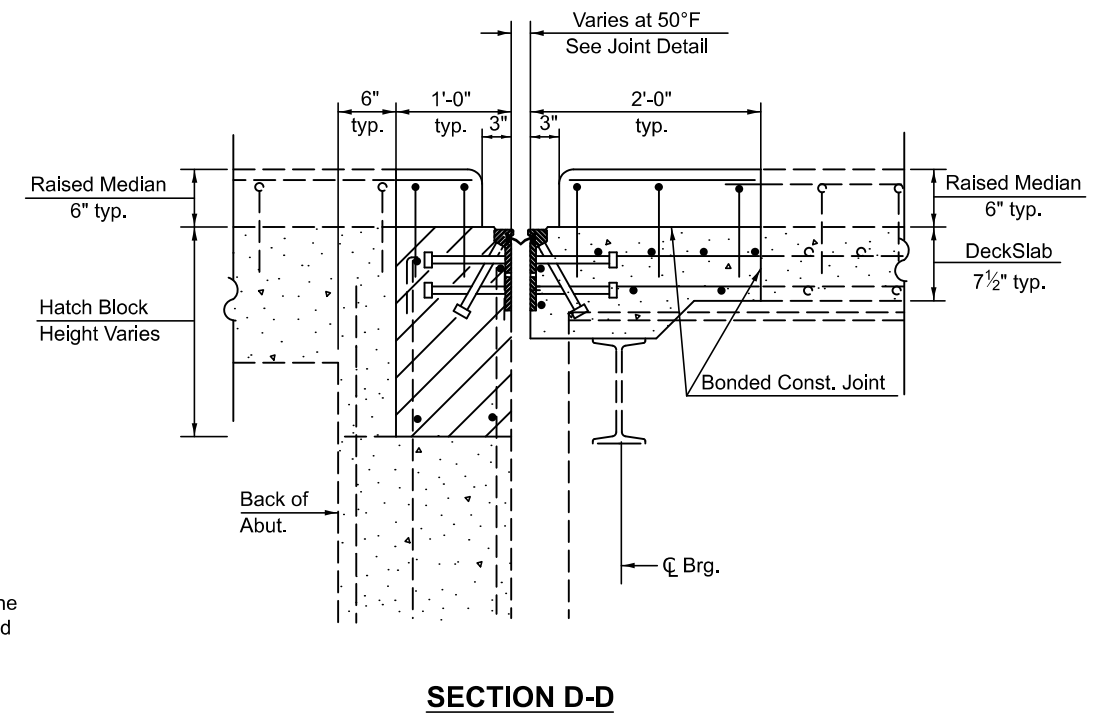


**DESIGNER NOTES: BBS BASE SHEETS "EJ-SS" & "EJ-SS-S" ARE PREFERRED. HOWEVER, THIS DETAIL MAY BE DESIRED BY D5. CONSULT WITH D5 BHE & BME FOR USE. TO CREATE STRUCTURE SPECIFIC DETAIL, BEGIN WITH BBS BASE SHEETS "EJ-SS" & "EJ-SS-S" THEN MODIFY ACCORDINGLY WITH DETAILS FROM DISTRICT 5 DETAIL NO. 52000AAA.**



Notes:  
 Locking edge rails are to be placed 1/4" below the deck elevation through the median. Stop raised median 3" short of deck ends and 3" short of face of abutments.  
 See median details for reinforcement required.



MODEL: SHT\_PLAN  
 FILE NAME: C:\Bentley\CONNECT10110\Organization\ChilIDOT\_Standards\Civil\DOT\_Sheets.dwg

USER NAME = Eric.Thomas	DESIGNED - JAL	REVISED - TJB
PLOT SCALE = \$\$SCALE\$	DRAWN -	REVISED -
PLOT DATE = 12/7/2022	CHECKED -	REVISED - 6/2/2022
	DATE - 2012	

**STATE OF ILLINOIS  
 DEPARTMENT OF TRANSPORTATION**

**D5 PREFORMED JOINT STRIP SEAL DETAILS**

SCALE: SHEET 1 OF 1 SHEETS STA. TO STA.

DISTRICT 5 DETAIL NO. 52000AAA				
F.A. RTE.	SECTION	COUNTY	TOTAL SHEETS	SHEET NO.
CONTRACT NO.				
ILLINOIS FED. AID PROJECT				