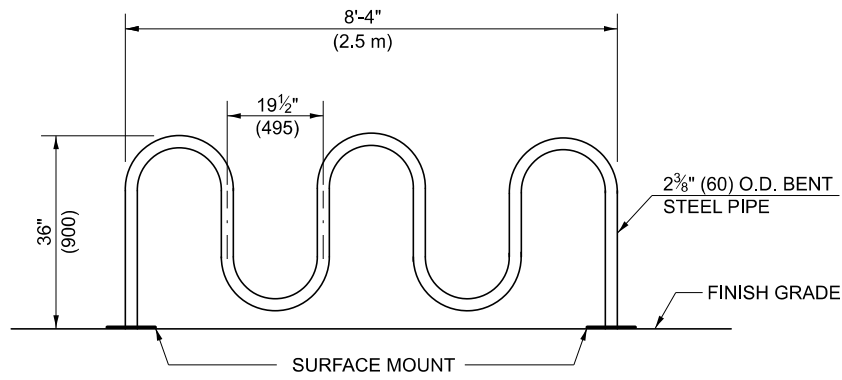
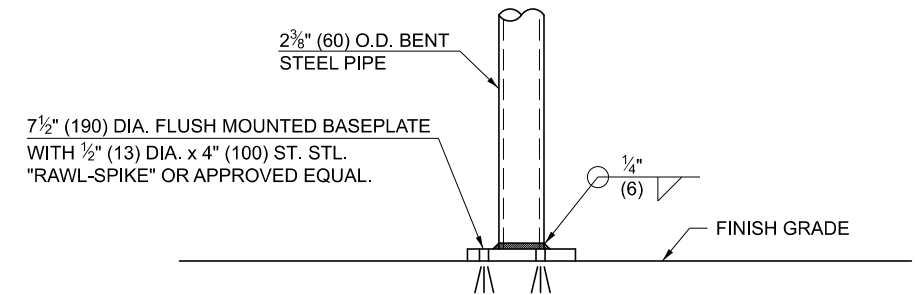
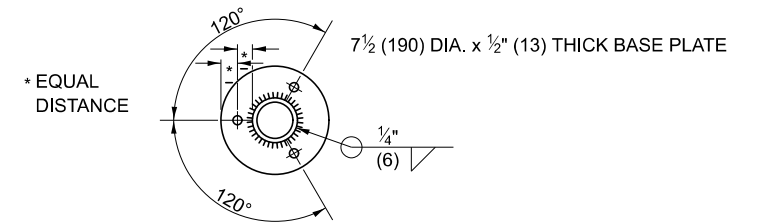


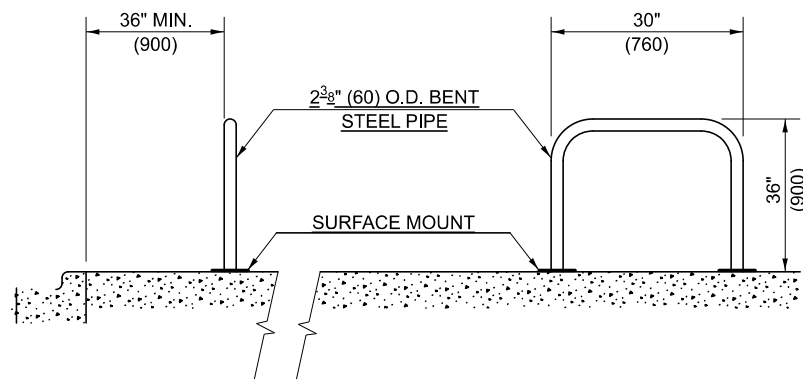
TYPE "A₃" BICYCLE RACK ELEVATION



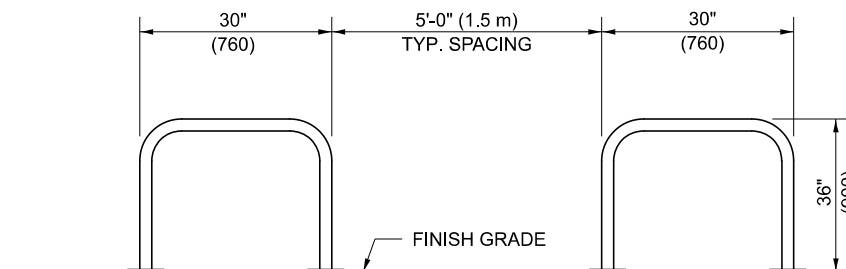
TYPE "A₅" BICYCLE RACK ELEVATION



SURFACE MOUNT DETAIL



TYPE "B" BICYCLE RACK ELEVATION



MODEL: XX001011
FILE NAME: c:\pwworking\clearlock\id\0872377\05\###\Sh-Detail_XX001011.dgn

Note: All dimensions are in INCHES (millimeters) unless otherwise shown.

DISTRICT 5 DETAIL NO. XX001011

USER NAME = Justin.Cearlock	DESIGNED -	REVISED - 12/06
PLOT SCALE = 0.16666633' / in.	DRAWN -	REVISED -
PLOT DATE = 4/29/2024	CHECKED -	REVISED -
	DATE -	REVISED -

**STATE OF ILLINOIS
DEPARTMENT OF TRANSPORTATION**

BICYCLE RACKS

SCALE: SHEET 1 OF 1 SHEETS STA. TO STA.

F.A. RTE.	SECTION	COUNTY	TOTAL SHEETS	SHEET NO.
CONTRACT NO.				
ILLINOIS FED. AID PROJECT				