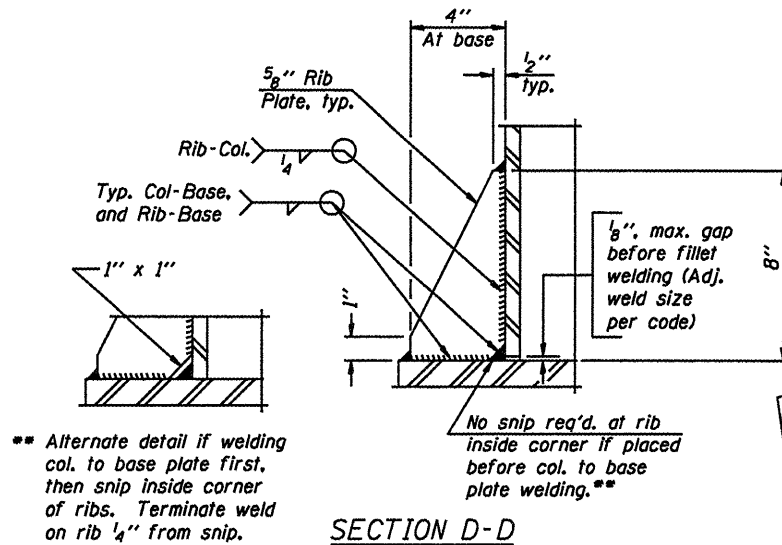
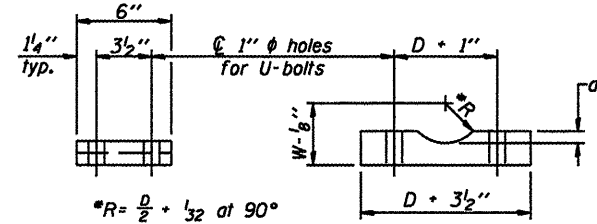


SECTION B-B



SECTION D-D

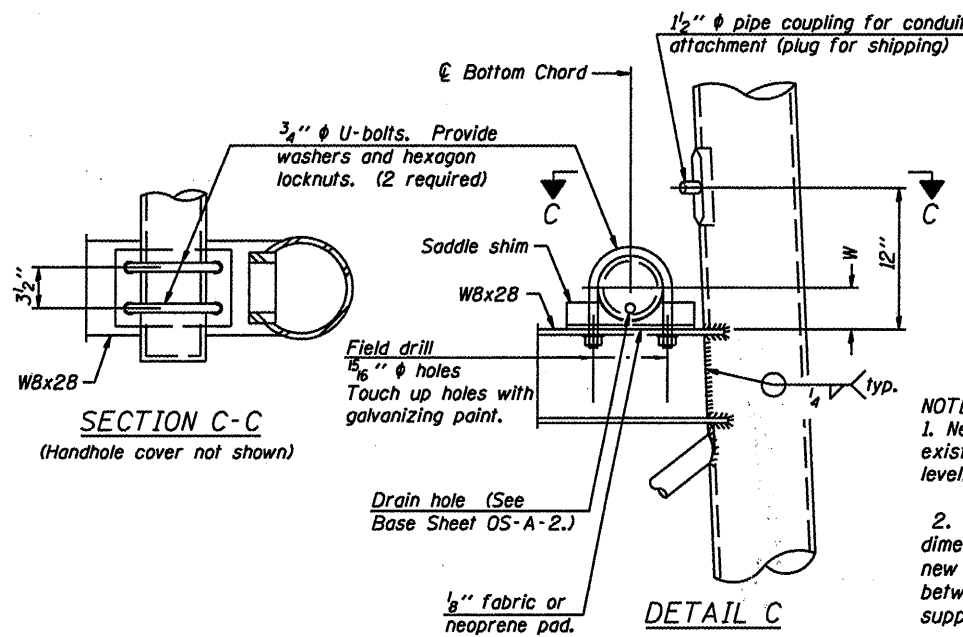


SADDLE SHIM DETAIL

ASTM B26 Alloy 356-F
or
ASTM B209 Alloy 6061-T651
(4 required per sign truss)

Truss Chord Nominal Dia.	a
5"	3/4"
5 1/2"	15/16"
6"	7/8"
6 1/2"	15/16"
7"	1"

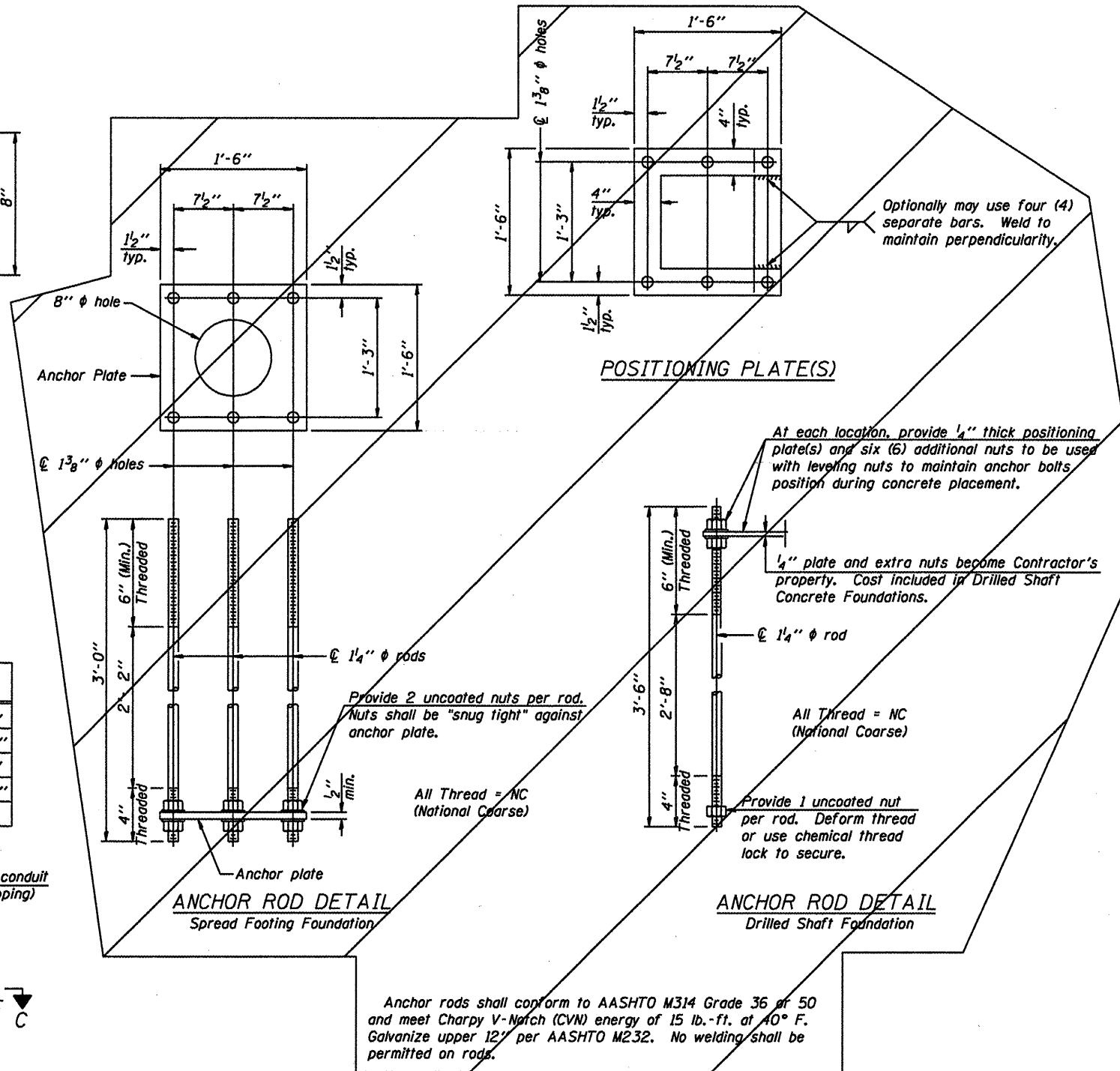
NUMBER	REVISION	DATE



SECTION C-C

(Handhole cover not shown)

DETAIL C



10" ϕ PIPE SUPPORT FRAME DETAILS

NOTES:
1. New End Supports to be installed on existing concrete foundations with existing anchor bolts. The Contractor shall provide new anchor bolt nuts, leveling nuts and washers as necessary.
2. The Contractor and the Engineer shall field verify the existing end support dimensions and the existing anchor bolt dimensions prior to fabrication of the new end supports. This measurement should include the horizontal distance between the center line of the columns at the base plate to assure the new supports will fit the existing anchor bolt pattern.

OVERHEAD SIGN STRUCTURES
SUPPORT FRAME DETAILS ALUMINUM TRUSS

District 1
Sign Structure
Repair and Replacement