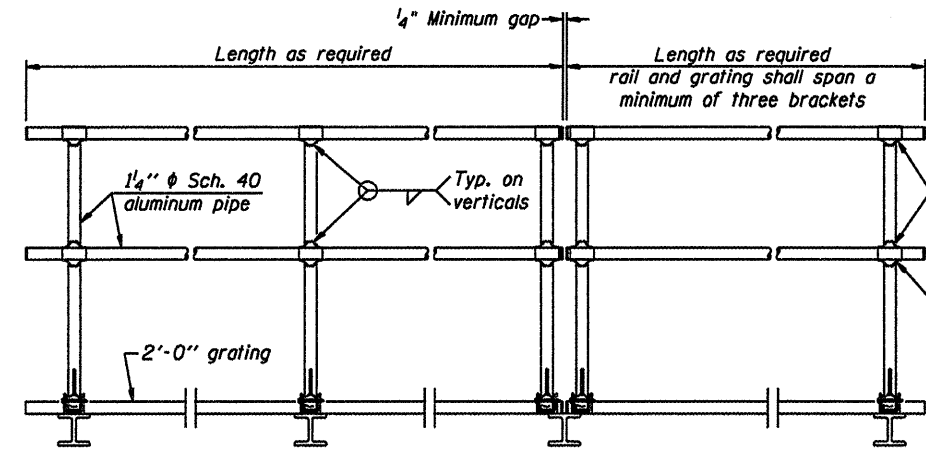


**SIDE ELEVATION**  
 (Showing safety chain w/o sign)

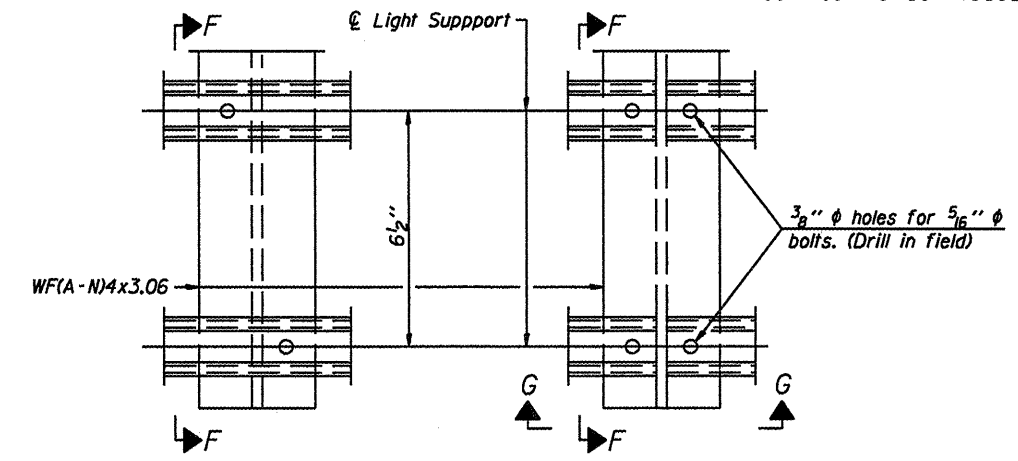


**FRONT ELEVATION**

**HANDRAIL DETAILS**

Handrail pipe shall be ASTM B241 or B429, Alloy 6063-T6 or Alloy 6061-T6.

- Install standard force-fit end caps or weld 1/8" end plates with 1/8" c.f.w. and grind smooth. (All rail ends)
- Horizontal handrail member shall be continuous thru fitting. Provide 7/16" hole in fitting for 3/8" bolt. Field drill 1/16" hole in horizontal rail member. Provide locknut and two stainless steel washers for bolt. (Use 5/16" eyebolts in 7/16" holes on top rail at ends only.)



**DETAIL F**

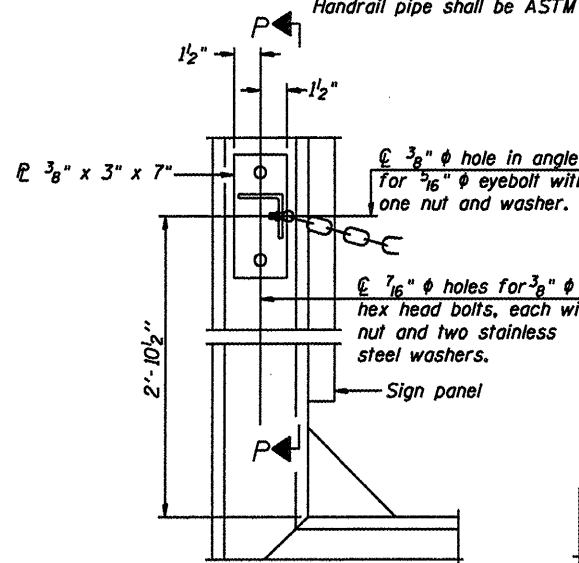
**DETAIL G**

**SECTION F-F**

**SECTION G-G**

**LIGHTING FIXTURE MOUNTS (IF REQUIRED)**

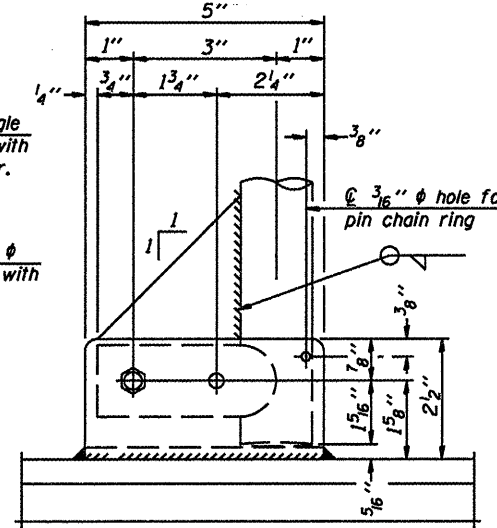
- Field cut ends of light support channels shall be free of burrs or hazardous projections and coated with zinc-rich primer or equivalent.



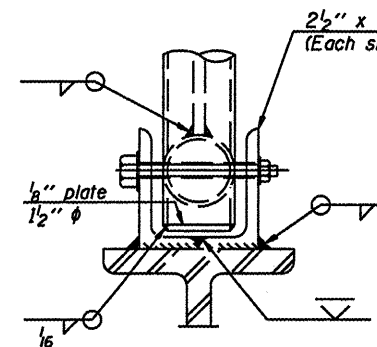
**ALTERNATE SAFETY CHAIN ATTACHMENT**

(With Sign Present)

Items not shown same as "Side Elevation" of "Handrail Details"

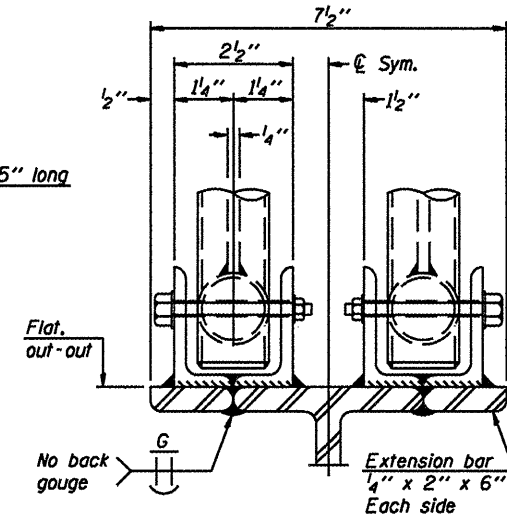


**SIDE ELEVATION**

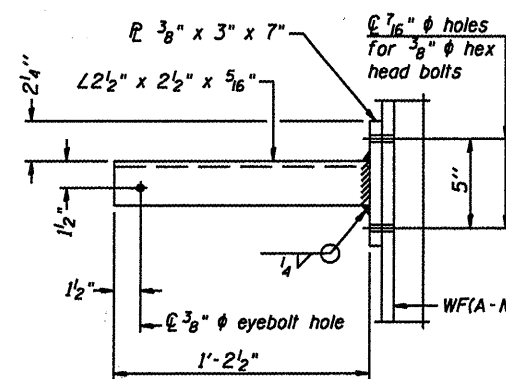


**FRONT ELEVATION**

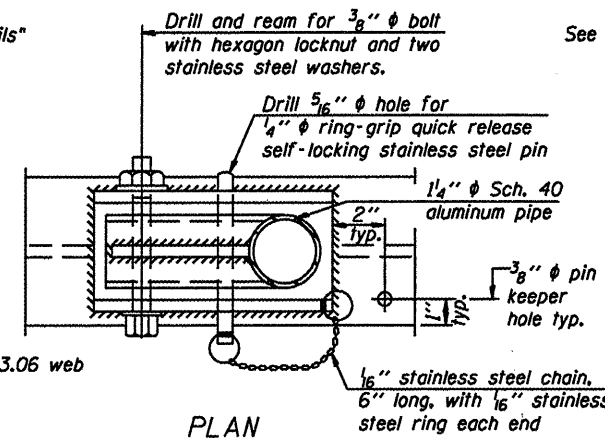
See "Elevation" at right for dimensions.



**ELEVATION AT HANDRAIL JOINT**

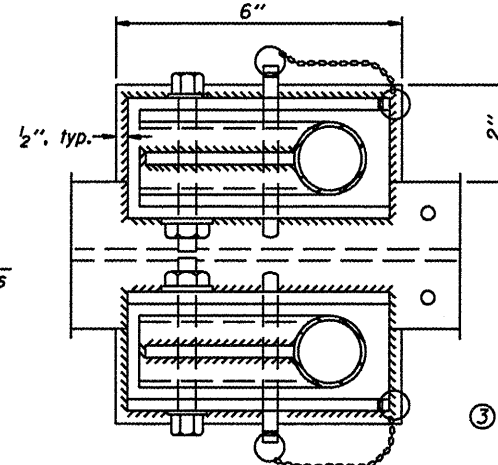


**SECTION P-P**



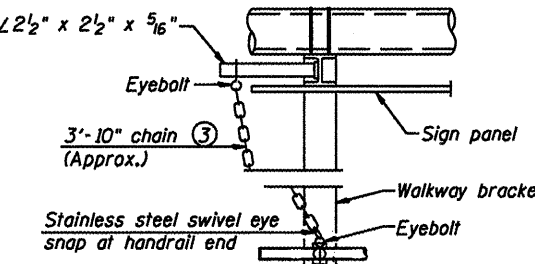
**PLAN**

**DETAIL E HANDRAIL HINGE**



**PLAN AT HANDRAIL JOINT**

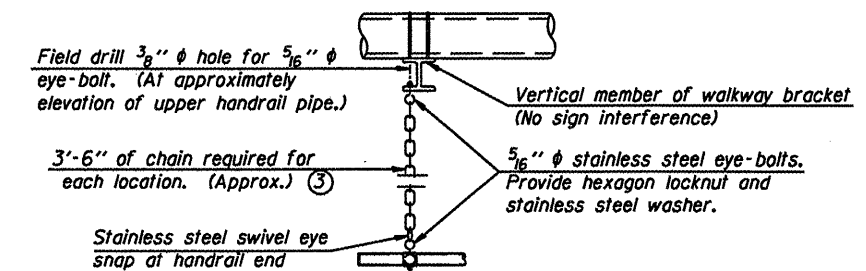
Details not shown same as "PLAN"



**ALTERNATE SAFETY CHAIN ATTACHMENT**

Details not shown similar to "Safety Chain" Details (Walkway omitted for clarity)

- 3/16" Type 304L stainless steel chain, approximately 12 links per foot.
- Extrusions may be used in lieu of the details shown, with approval of the Engineer.



**SAFETY CHAIN**

One required for each end of each walkway.

This Sheet For Information Only

OVERHEAD SIGN STRUCTURES  
 ALUMINUM HANDRAIL DETAILS

District 1  
 Sign Structure  
 Repair and Replacement

NUMBER	REVISION	DATE