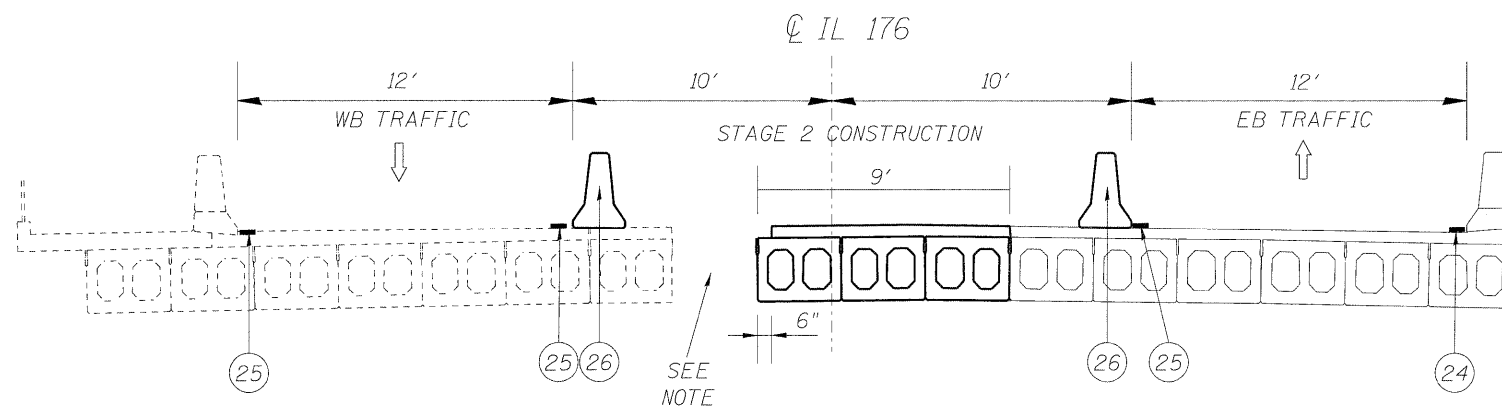
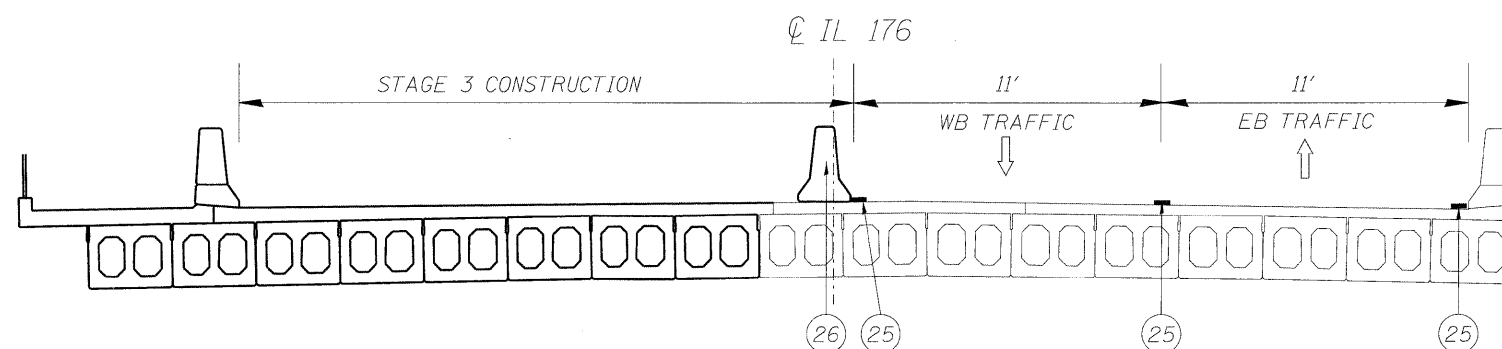


STAGE 1 @ STA. 101+00.01 (LOOKING EAST)
NO SCALE



STAGE 2 @ STA. 101+00.01 (LOOKING EAST)
NO SCALE



STAGE 3 @ STA. 101+00.01 (LOOKING EAST)
NO SCALE

LEGEND

- (24) TEMPORARY CONCRETE BARRIER
- (25) WET REFLECTIVE TEMPORARY TAPE, TYPE III, 4"
- (26) RELOCATE TEMPORARY CONCRETE BARRIER

NOTE

FOR DETAILS OF STAGE OF CONSTRUCTION
SEE PAGE 16 OF 38.