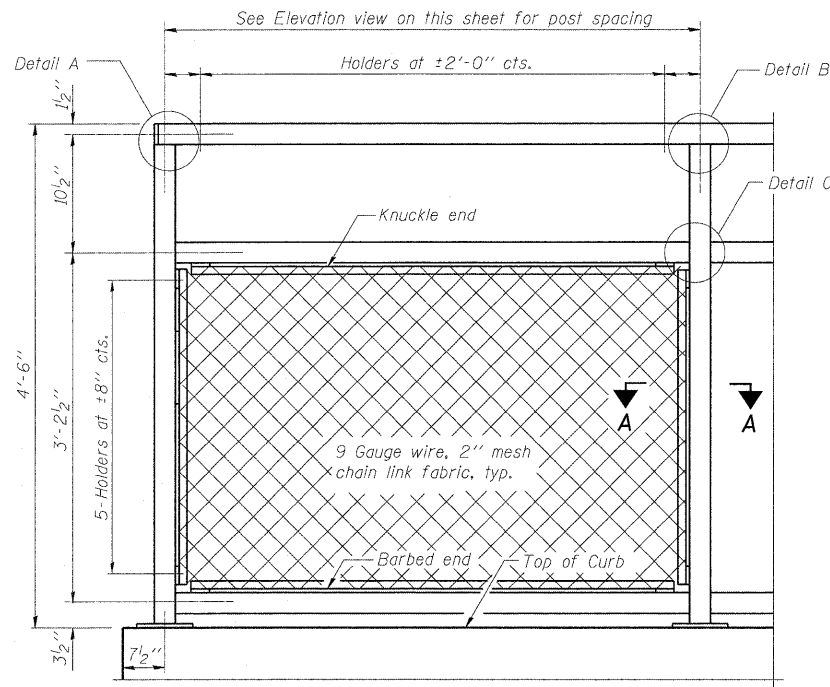


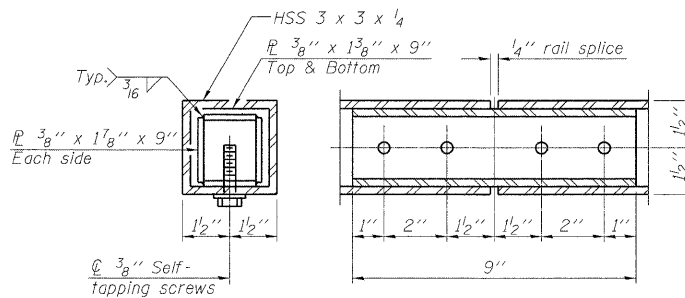
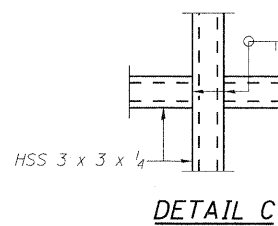
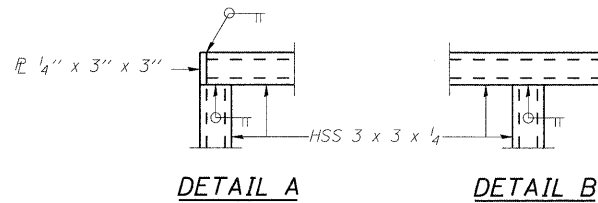
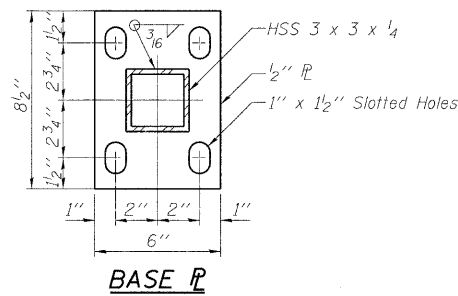
STATE OF ILLINOIS
DEPARTMENT OF TRANSPORTATION

NOTES

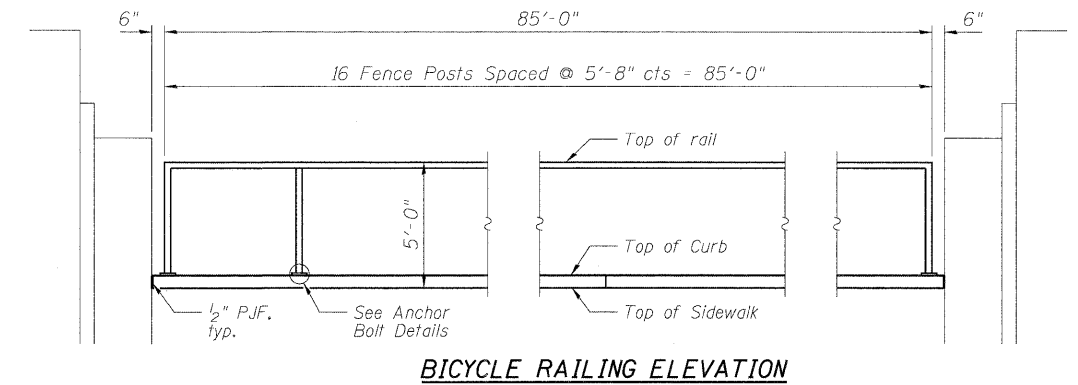
All steel rail elements shall be galvanized according to Article 509.05 of the Standard Specifications. See sheet S8 of S18 for section thru sidewalk and bill of material for reinforcement bars.



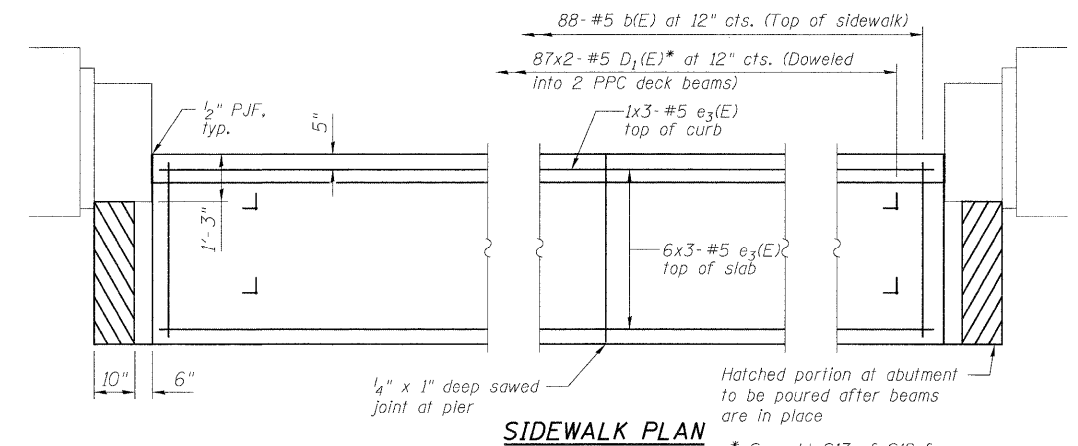
BICYCLE RAILING



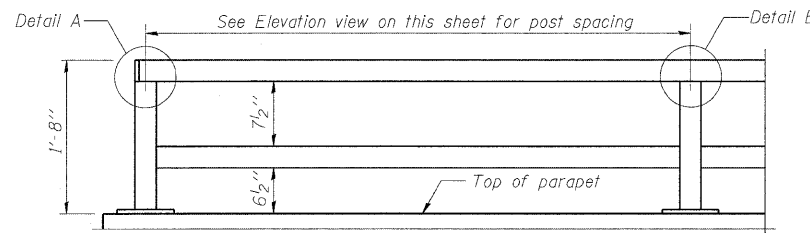
RAIL SPLICE



BICYCLE RAILING ELEVATION

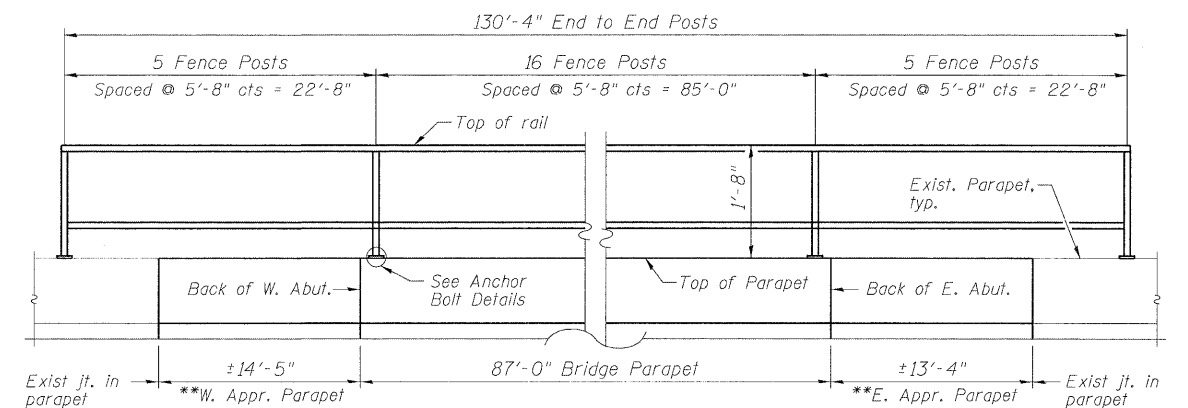


SIDEWALK PLAN



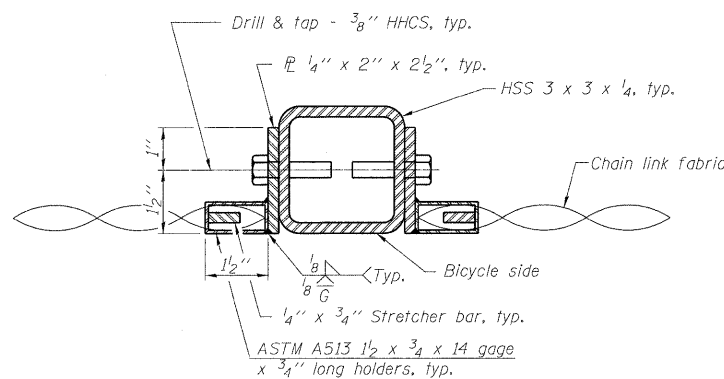
PARAPET RAILING ELEVATION

(Inside Face of Two Element Rail)

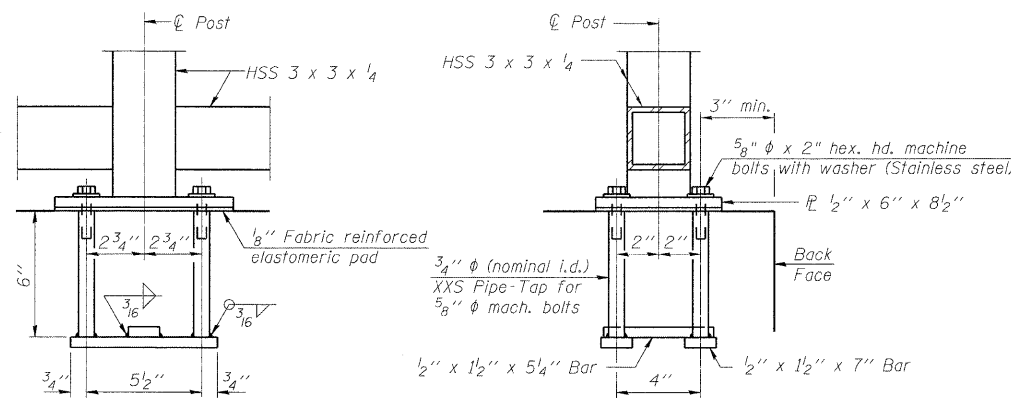


PARAPET RAILING ELEVATION

**See sheet S9 & S12 of S18 for east and west approach parapet details respectively.



SECTION A-A



ANCHOR BOLT DETAILS

In lieu of the cast-in-place anchor device shown, the Contractor has the option of drilling and setting 3/8" φ anchor rods according to Article 509.06 of the Standard Specifications. Embedment shall be according to the manufacturer's specifications.

DESIGNED -	SLV
CHECKED -	MJM
DRAWN -	SLV
CHECKED -	MJM

LONGO, INC.
CONSULTING ENGINEERS
1560 WALL ST, SUITE 222
NAPERVILLE, ILLINOIS 60563 PH: (630) 577-9100

BILL OF MATERIAL

Item	Unit	Quantity
Bicycle Railing	Foot	85
Parapet Railing	Foot	131

BICYCLE RAILING
STRUCTURE NO. 049-0131

SHEET NO. S10 OF S18 SHEETS	F.A.U. RTE.	SECTION	COUNTY	TOTAL SHEETS	SHEET NO.
	1238	125SB-1-R	LAKE	38	23
D-91-045-08			CONTRACT NO. 60D57		
FED. ROAD DIST. NO. ILLINOIS FED. AID PROJECT					