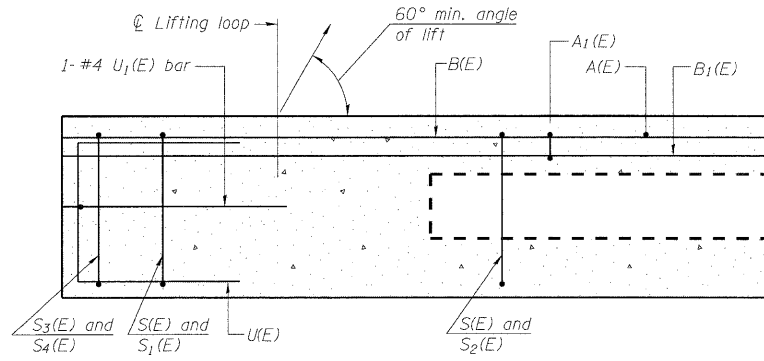
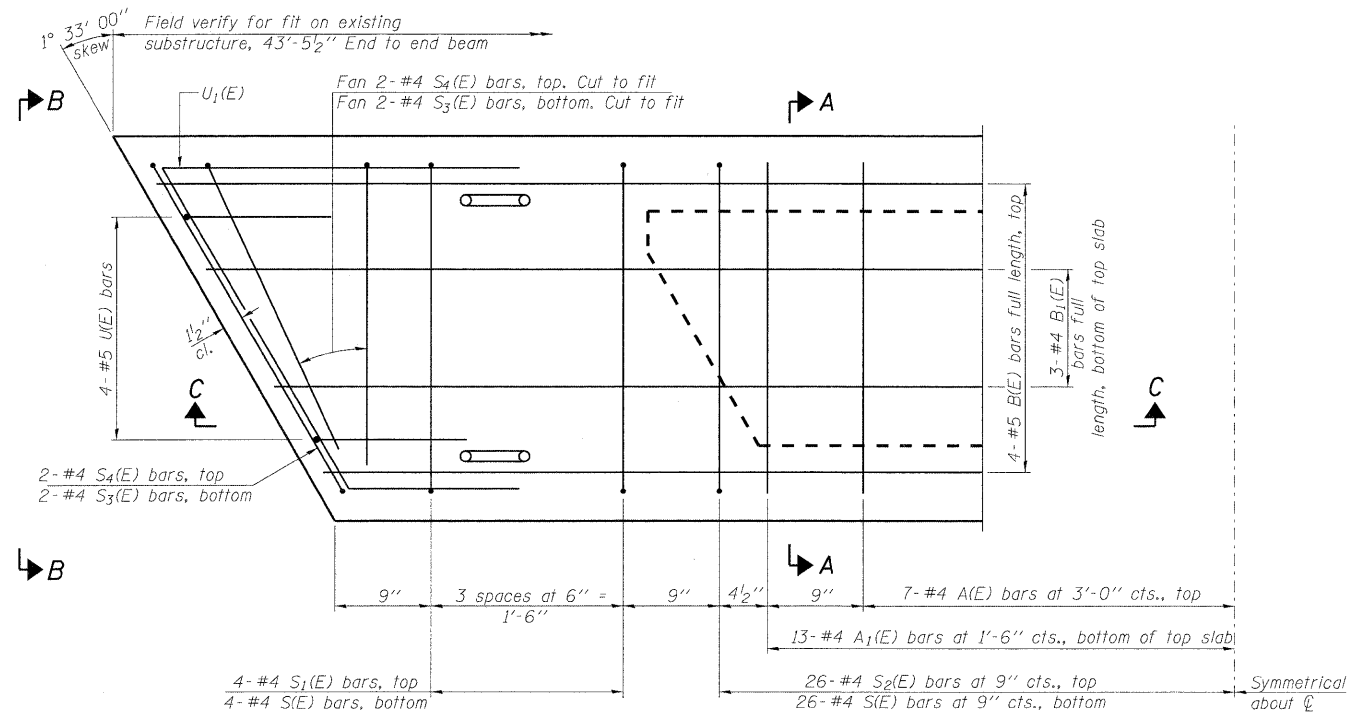


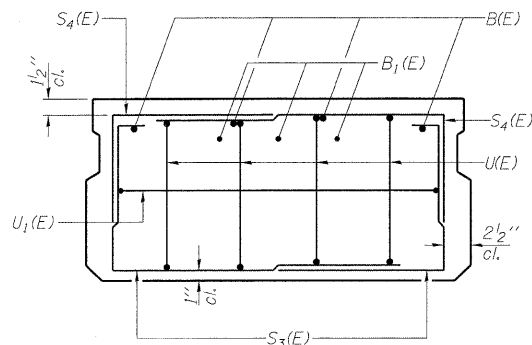
STATE OF ILLINOIS
DEPARTMENT OF TRANSPORTATION



SECTION C-C



PLAN VIEW

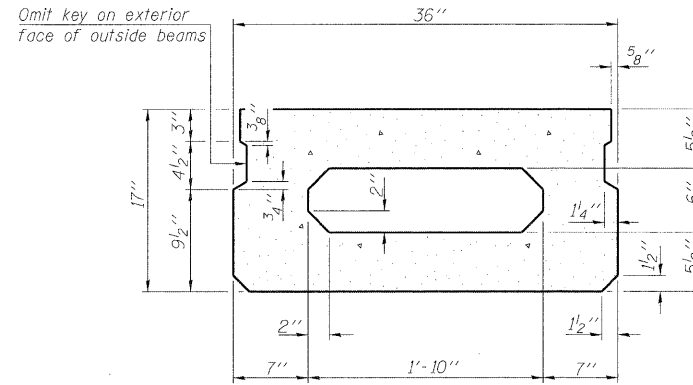


VIEW B-B

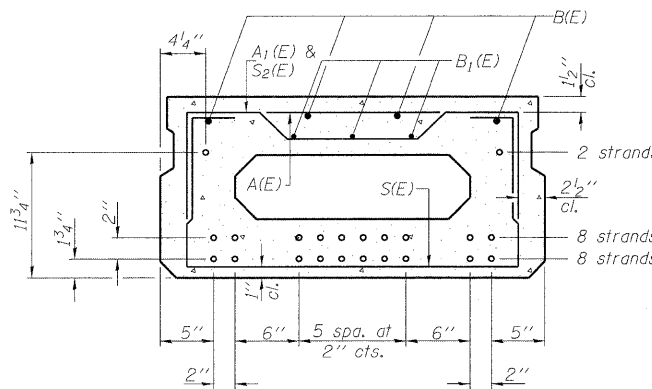
Note: Spacing of S1(E), S2(E), D1(E) and D2(E) bars may be adjusted up to 4" in the immediate area of the transverse tie diaphragms to miss the block outs for the transverse ties.

NOTES

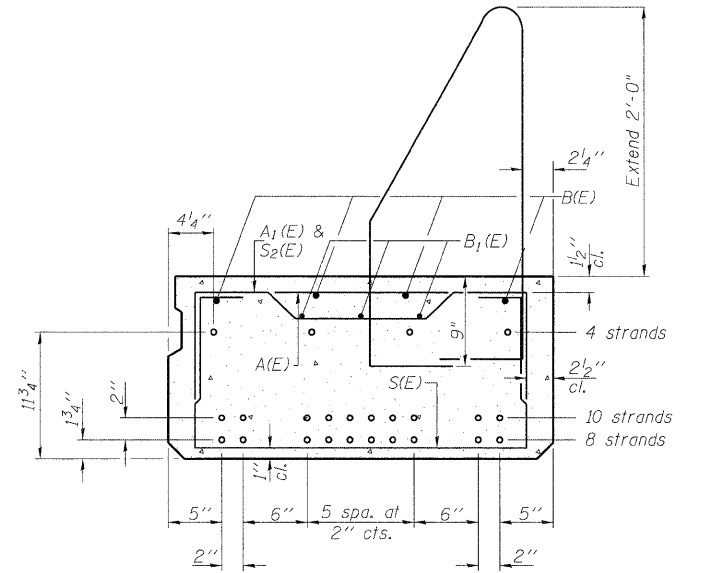
Contractor may use bar splicers instead of cast-in-place dowels D1(E) and D2(E) at no extra cost to the project. If bar splicers are to be used, then they need to be incorporated into the shop drawings for approval.



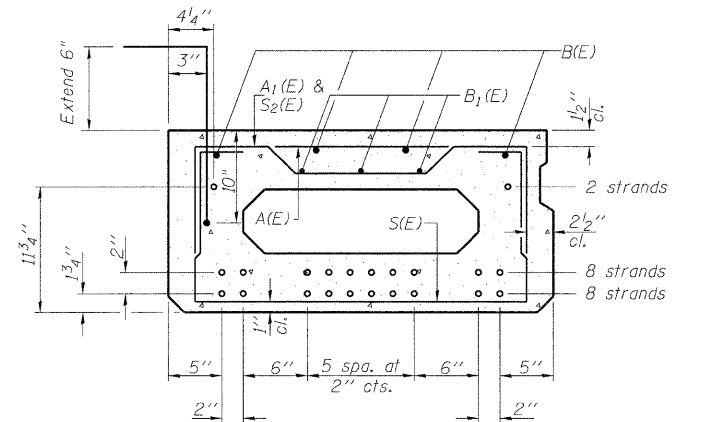
SECTION A-A
(Showing dimensions)



SECTION A-A
(Showing reinforcement and permissible strand locations)



SECTION A-A
(Showing reinforcement and permissible strand locations)
(Beam 17 only, both spans)



SECTION A-A
(Showing reinforcement and permissible strand locations)
(Beam 1 only, both spans)

Note: Place the number of strands specified in each row symmetrically about the centerline of beam in the permissible strand locations shown.

See sheet S8 of S18 for other details regarding beams 1, 2 and 17.

See inside parapet view on sheet S8 of S18 for D1(E) layout

See plan view on sheet S10 of S18 for D2(E) layout

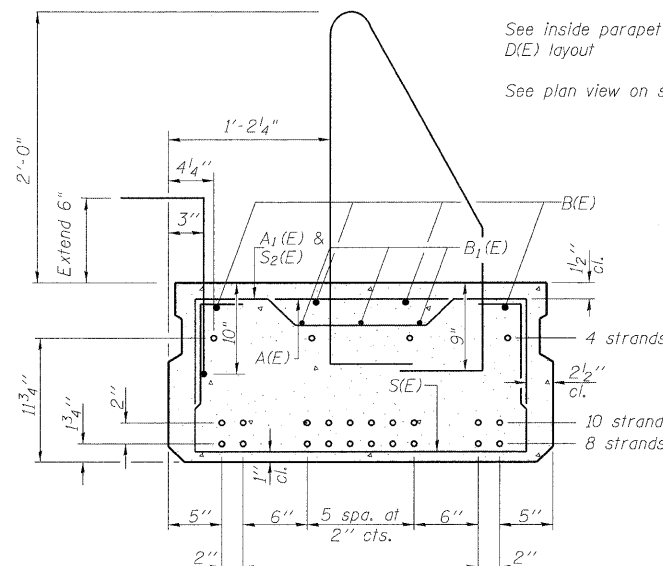
BAR LIST
ONE BEAM ONLY

(For information only)

Bar	No.	Size	Length	Shape
A1(E)	14	#4	2'-7"	—
A2(E)	26	#4	2'-10"	—
B1(E)	4	#5	43'-11"	—
B2(E)	3	#4	43'-11"	—
D1(E)*	48	#5	8'-0"	⌒
D2(E)*	44	#5	3'-0"	⌒
S1(E)	60	#4	5'-9"	—
S2(E)	8	#4	4'-3"	—
S3(E)	52	#4	4'-6"	—
S4(E)	8	#4	3'-9"	—
S5(E)	8	#4	3'-0"	—
U1(E)	8	#5	3'-8"	—
U2(E)	2	#4	5'-1"	—

Note: See sheet S14 of S18 for additional details and Bill of Material.

*See sheet S8 and S14 of S18 for locations of bars to be cast into beams 1, 2 and 17 only, for both spans. Cost incidental to 17" PPC Deck Beams.



SECTION A-A
(Showing reinforcement and permissible strand locations)
(Beam 2 only, both spans)

DESIGNED	SLV
CHECKED	MJM
DRAWN	SLV
CHECKED	MJM

LONGO, INC.
CONSULTING ENGINEERS
1560 WALL ST, SUITE 222
NAPERVILLE, ILLINOIS 60563 PH: (630) 577-9100

17" x 36" PPC DECK BEAMS
STRUCTURE NO. 049-0131

SHEET NO. S13 OF S18 SHEETS	F.A.U. RTE.	SECTION	COUNTY	TOTAL SHEETS	SHEET NO.
	1238	125SB-1-R	LAKE	38	26
D-91-045-08			CONTRACT NO. 60D57		
FED. ROAD DIST. NO. _ ILLINOIS FED. AID PROJECT					