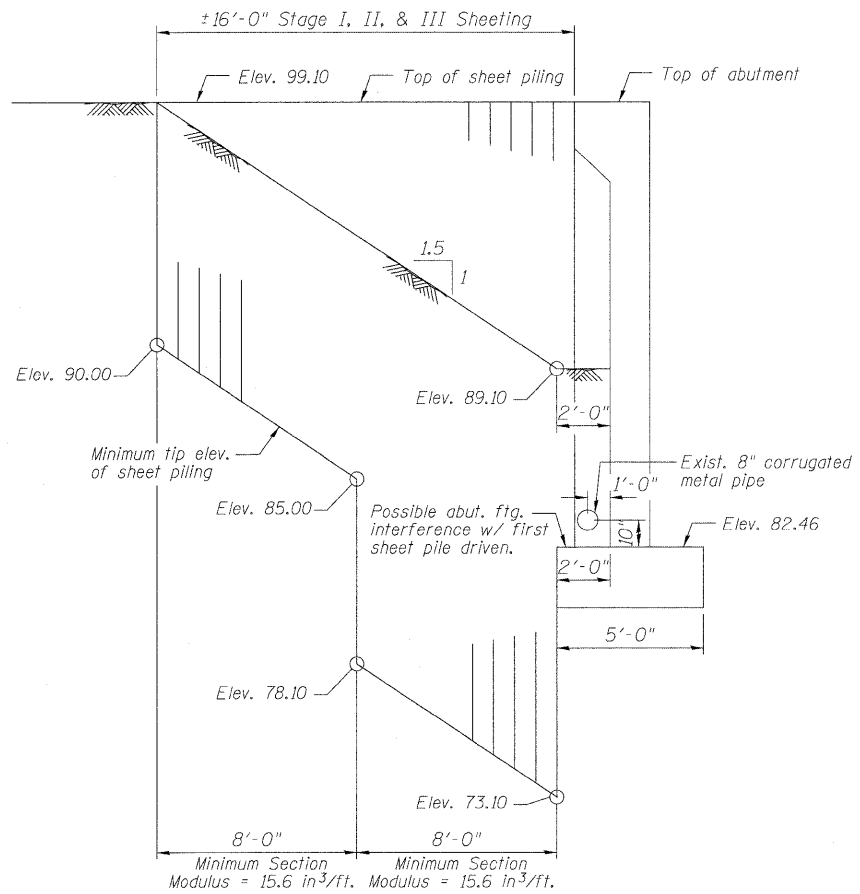
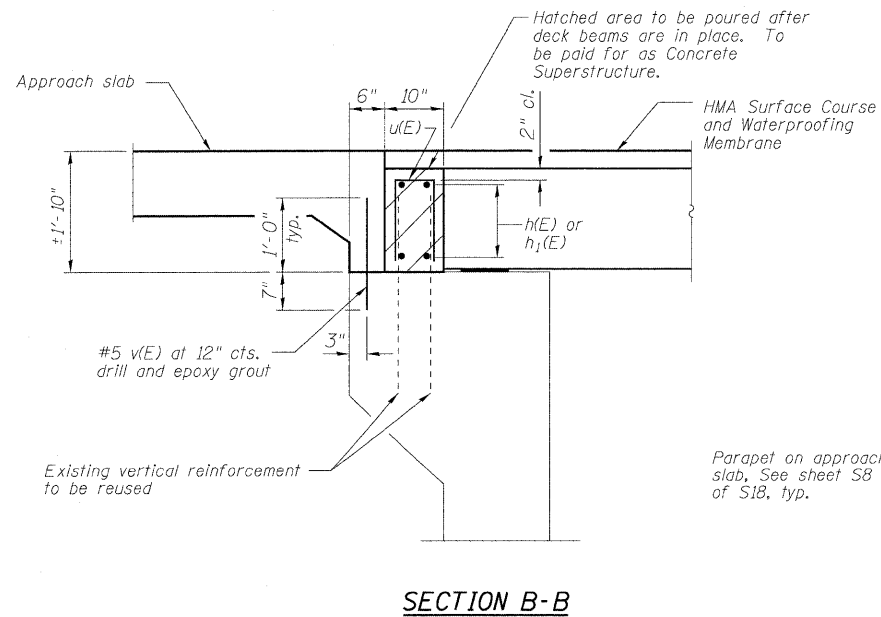


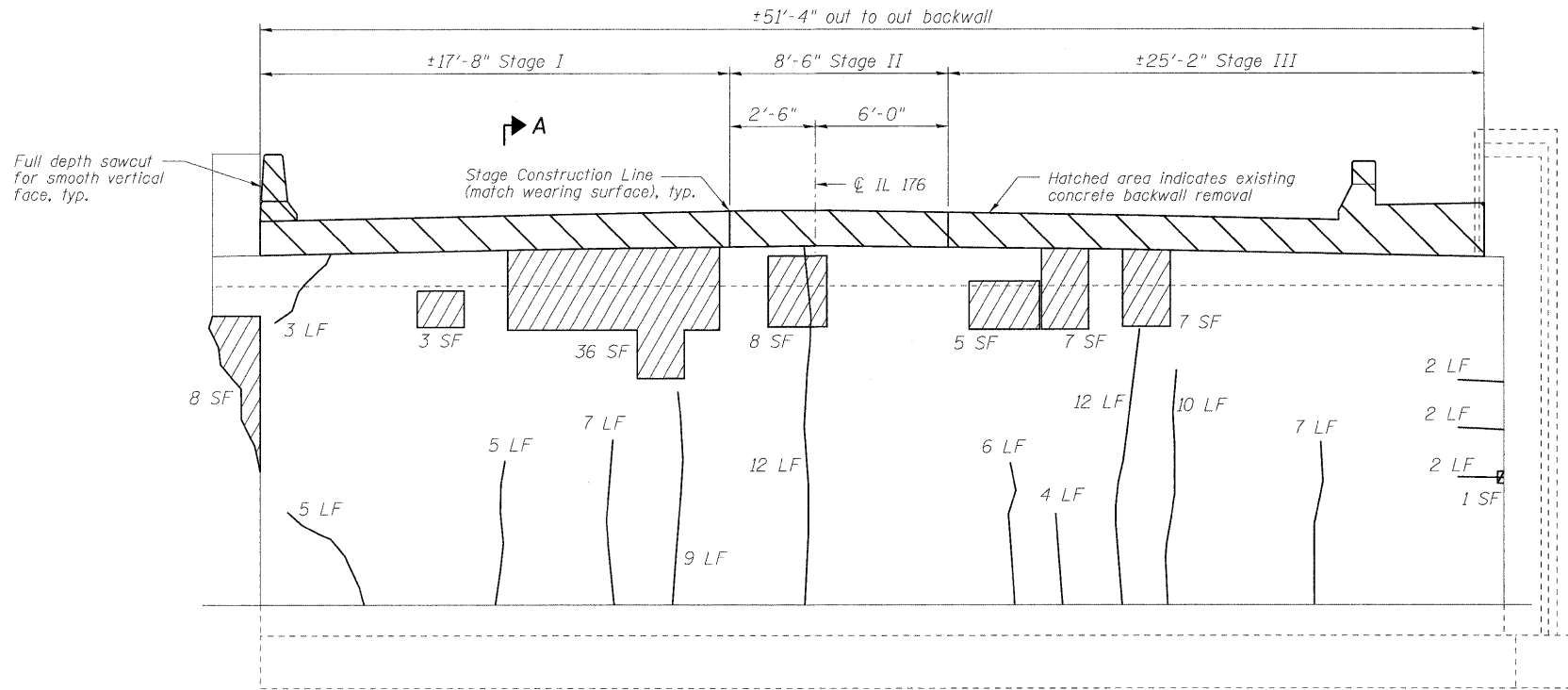
STATE OF ILLINOIS
DEPARTMENT OF TRANSPORTATION



TEMPORARY SHEET PILING DETAILS



SECTION B-B

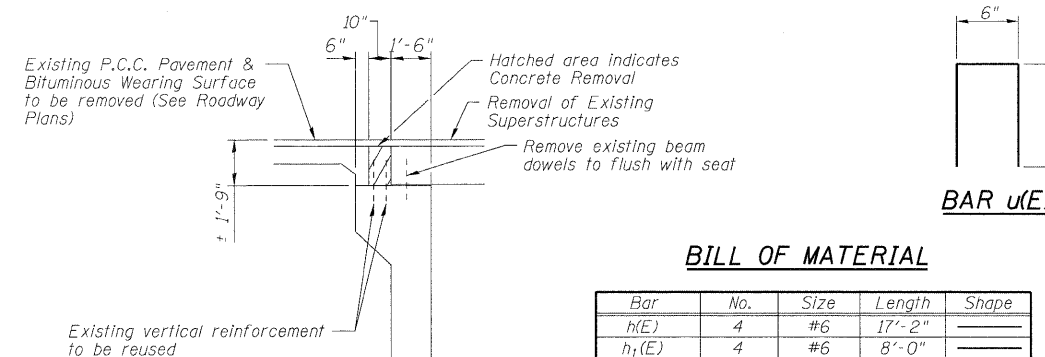


ELEVATION - REMOVAL AND REPAIR
(Looking West)

— Epoxy Crack Injection
▨ Formed Concrete Repair Depth < 5"

NOTES

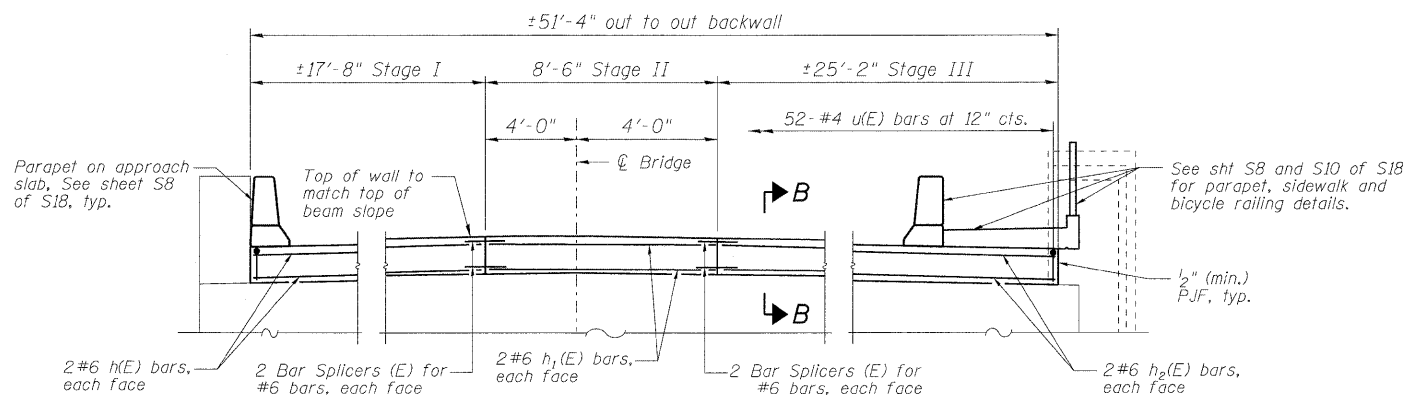
Existing reinforcement shall be cleaned, straightened (if required) and incorporated into the new construction. Cost included with Concrete Removal.
Existing reinforcement bars which have lost 25% or more of their original diameter shall be supplemented by new epoxy coated bars of the same diameter. New bars shall be drilled and epoxy grouted in place adjacent to the original bars, as directed by the Engineer.
Drilling and epoxy grouting of reinforcement bars shall be in accordance with Article 584 of the Standard Specifications.
For Temporary Sheet Piling: the min. embedment length = 16.0' and min. section modulus of Temporary Sheet Piling S = 15.6 in³/ft.
If the Contractor chooses to alter the temporary cantilevered sheet piling design requirements shown on the plans for lesser design requirements, then full design submittals with required seals will be expected by the Contractor for review and approval at not extra cost to the project.



BAR u(E)

BILL OF MATERIAL

Bar	No.	Size	Length	Shape
h(E)	4	#6	17'-2"	—
h ₁ (E)	4	#6	8'-0"	—
h ₂ (E)	4	#6	24'-8"	—
u(E)	52	#4	2'-10"	□
v(E)	52	#5	1'-7"	—
Concrete Removal			Cu. Yd.	2.5
Concrete Superstructure			Cu. Yd.	2.5
Bar Splicers			Each	8
Temporary Sheet Piling			Sq. Ft.	550
Epoxy Crack Injection			Foot	86
Structural Repair of Concrete (Depth less than equal to 5")			Sq. Ft.	75
Reinforcement Bars, Epoxy Coated			Pound	480



ELEVATION
(Looking West)

SECTION A-A

WEST ABUTMENT DETAILS
STRUCTURE NO. 049-0131

DESIGNED	SLV
CHECKED	MJM
DRAWN	SLV
CHECKED	MJM

LONGO, INC.
CONSULTING ENGINEERS
1560 WALL ST, SUITE 222
NAPERVILLE, ILLINOIS 60563 PH: (630) 577-9100

SHEET NO. S15 OF S18 SHEETS	F.A.U. RTE.	SECTION	COUNTY	TOTAL SHEETS	SHEET NO.
	1238	125SB-1-R	LAKE	38	28
D-91-045-08			CONTRACT NO. 60D57		
FED. ROAD DIST. NO. _ ILLINOIS FED. AID PROJECT					