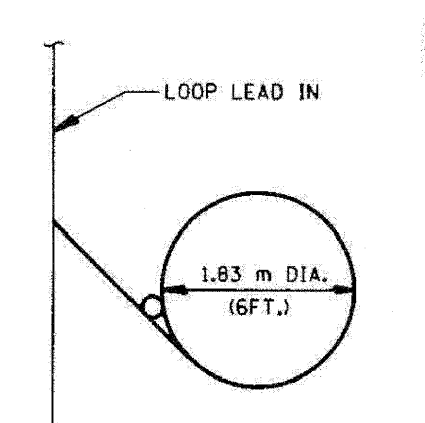
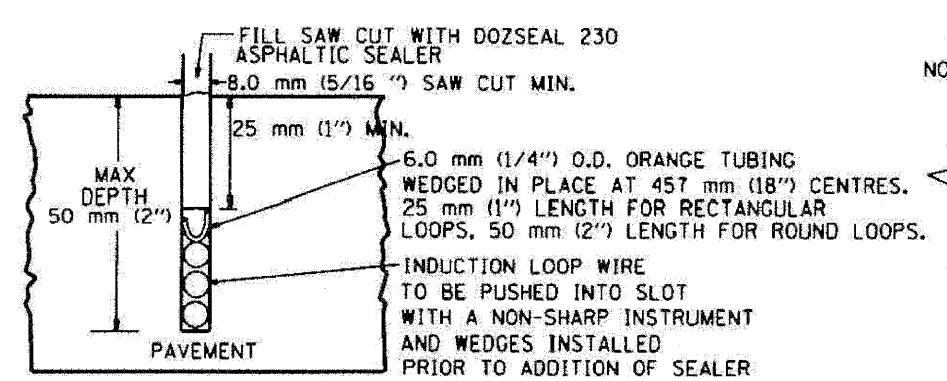
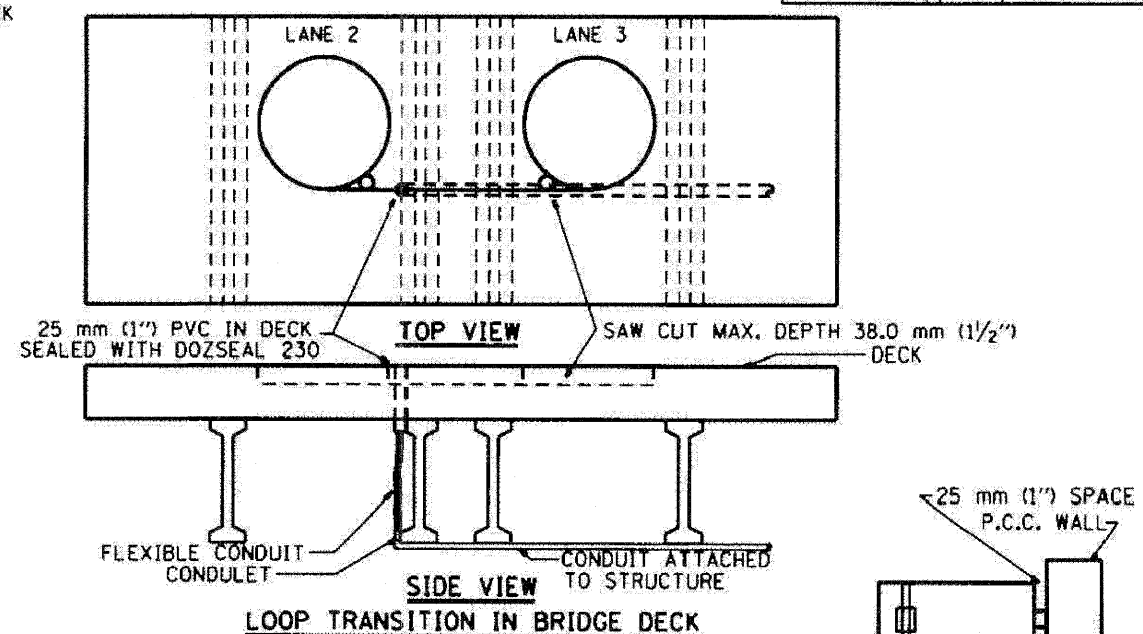
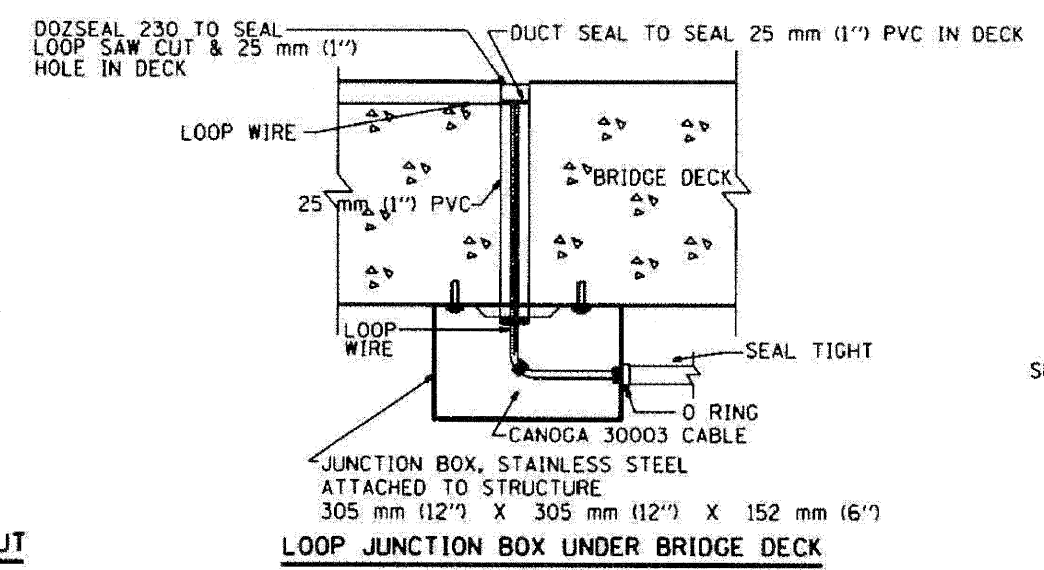


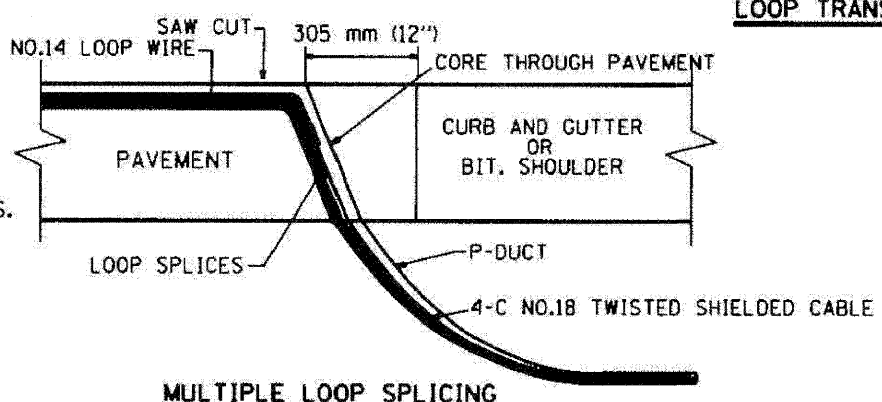
F.A. RTE.	SECTION	COUNTY	TOTAL SHEETS	SHEET NO.
STA.	TO STA.			
FED. ROAD DIST. NO.	ILLINOIS FED. AID PROJECT			



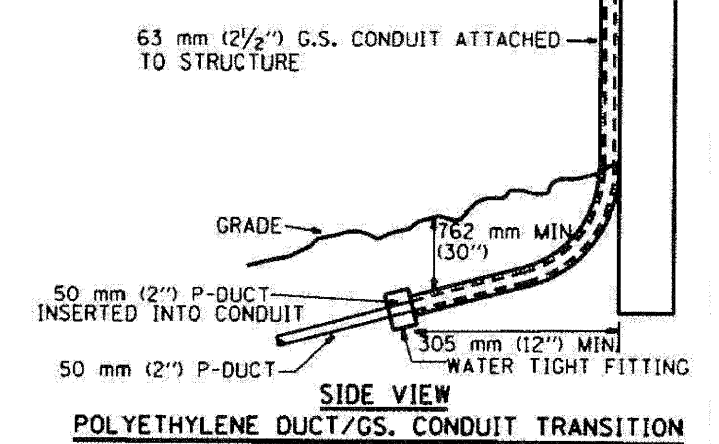
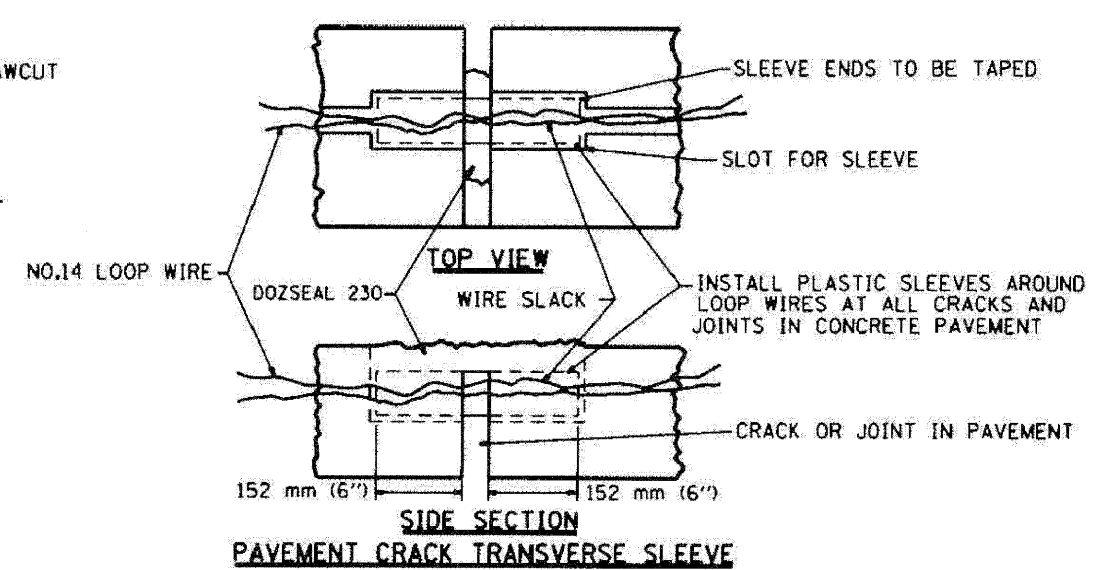
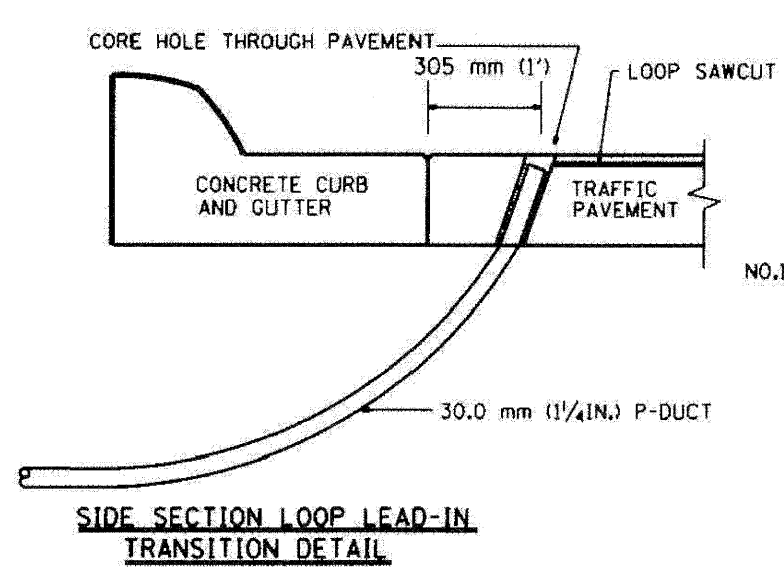
TYPICAL LOOP SAWCUT LAYOUT



LOOP CROSS SECTION IN PAVEMENT



MULTIPLE LOOP SPLICING



REVISIONS	DATE
R.L.	5/91
R.L.	5/95
T.C.	11/95
R.L.	08/98
T.C.	10/98

ILLINOIS DEPARTMENT OF TRANSPORTATION
TRAFFIC SYSTEMS CENTER
**LOOP, CONDUIT & DUCT
INSTALLATION DETAILS**
SCALE: VERT. NONE
DATE: 6-22-94
DRAWN BY: G.A.
CHECKED BY: R.L.

FILE NAME =	DESIGNED - GHT	REVISED -
...nprln_abc_c3_ts_det_12.dgn	DRAWN - DMS	REVISED -
USER NAME = tblank	CHECKED - MPM	REVISED -
PLOT DATE = 11/12/2009	DATE - 10/16/09	REVISED -

benesch
STATE OF ILLINOIS
DEPARTMENT OF TRANSPORTATION

TRAFFIC SYSTEM CENTER
DETAIL SHEETS
SCALE: N.T.S. SHEET NO. 12 OF 15 SHEETS STA. TO STA.

F.A. RTE.	SECTION	COUNTY	TOTAL SHEETS	SHEET NO.
290	(2828B,D, ETC., 3031,IRS-6	COOK	185	167
FED. ROAD DIST. NO.	ILLINOIS FED. AID PROJECT			

TRAFFIC SYSTEMS CENTER (TY-1TSC-418*4)