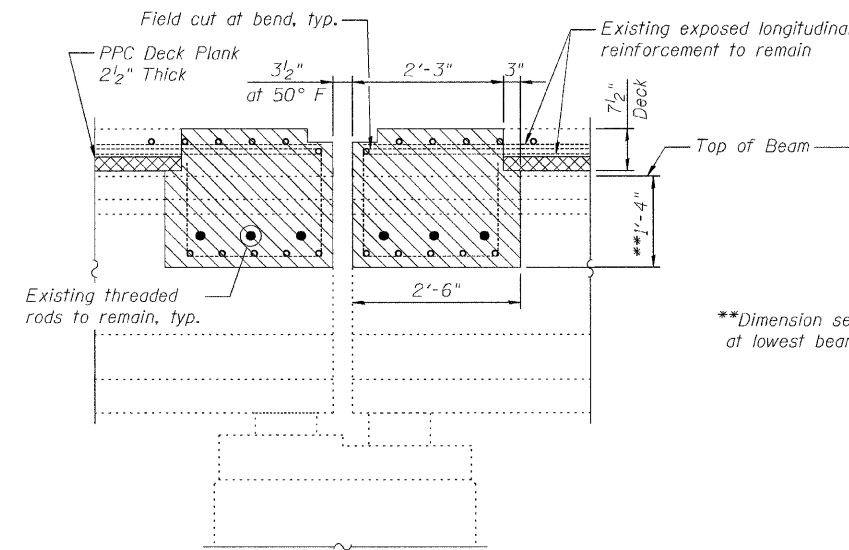
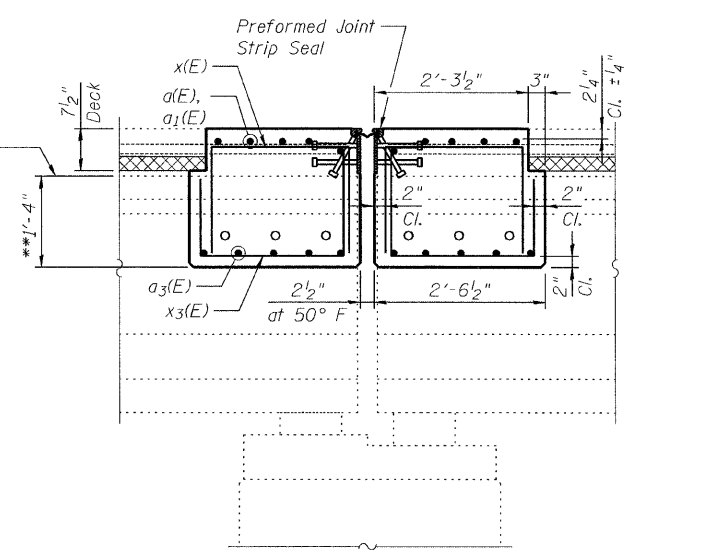


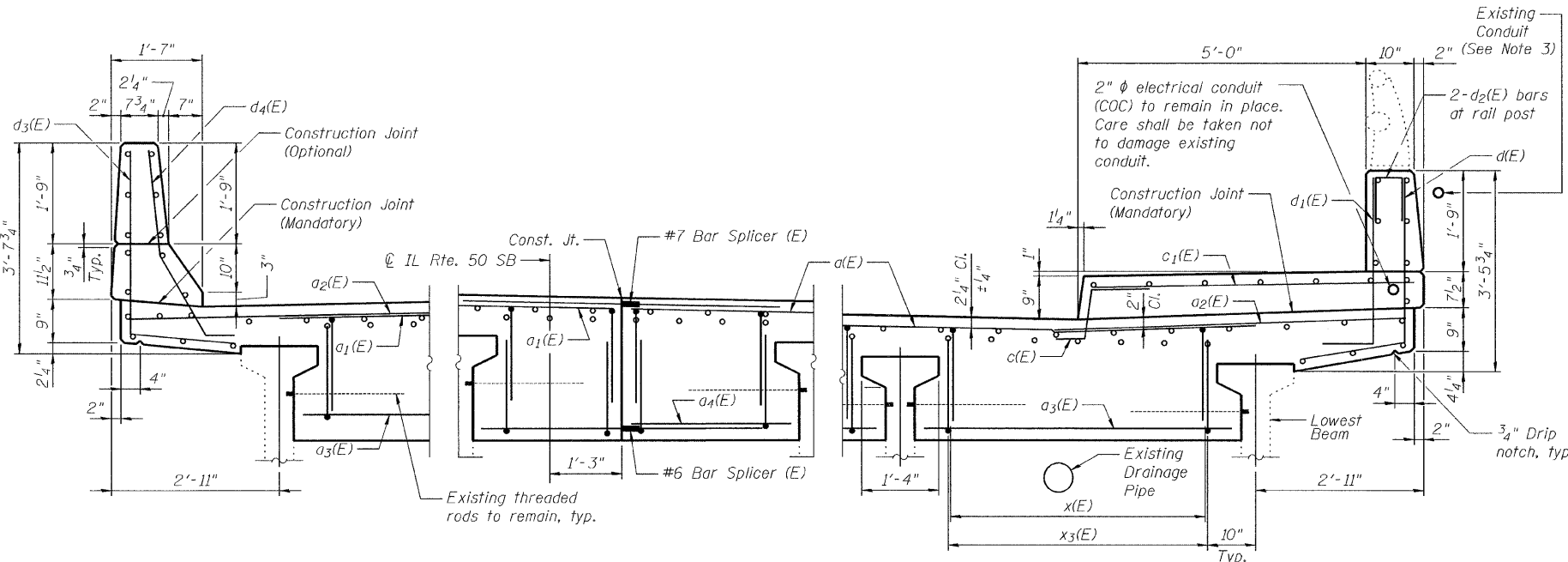
**EXP. JOINT PLAN AT SB PIER 3 & SB PIER 7**



**SECTION A-A CONCRETE REMOVAL @ SB PIER 3 & SB PIER 7**  
(Horiz. dimensions at Rt. L's)



**SECTION A-A CONCRETE REPLACEMENT @ SB PIER 3 & SB PIER 7**  
(Horiz. dimensions at Rt. L's)



**CURB SECTION**  
(Looking South)

**CENTER SECTION**  
(Looking South)

**SIDEWALK SECTION**  
(Looking South)

DESIGNED	E.E.J.
CHECKED	J.A.Z.
DRAWN	E.E.J.
CHECKED	J.A.Z.

- Notes:
- Existing reinforcement shall be cleaned and incorporated into the new construction.
  - See Sheet 10 of 16 for Bill of Material.
  - If supports for the existing conduit attached to the parapet are removed during construction they must be reinstalled or replaced (if damaged) at no additional cost to the state. Also see the General Notes on Sheet 2 of 33.

- LEGEND**
- Concrete Removal
  - Exist. PPC Deck Plank, 2 1/2" thick

**EXPANSION JOINTS SB PIERS 3 & 7**  
**IL 50 (CICERO AVE) OVER BRC R.R.**  
**F.A.P. 350, SECTION 50-1 VB-1-BR**  
**COOK COUNTY**

S.N. 016-2512 (S.B.), 016-2513 (N.B.)  
 DATE: 10-23-09  
 GRAEF CHICAGO ILLINOIS