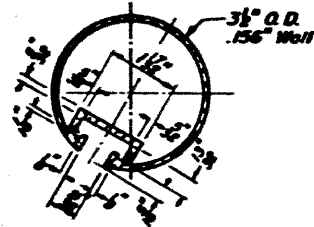


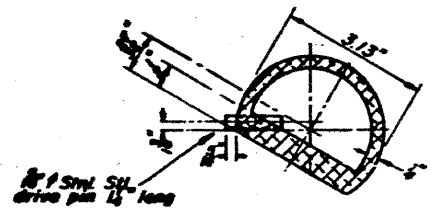
STATE OF ILLINOIS  
DEPARTMENT OF TRANSPORTATION

PAP. ROUTE NO.	SECTION	COUNTY	TOTAL SHEETS	SHEET NO.	SHEET NO. 15 OF 16 SHEETS
350	50-1 VB-1-BR	Cook	33	26	
FED. ROAD DIST.		BLINDS	FED. AID PROJECT		

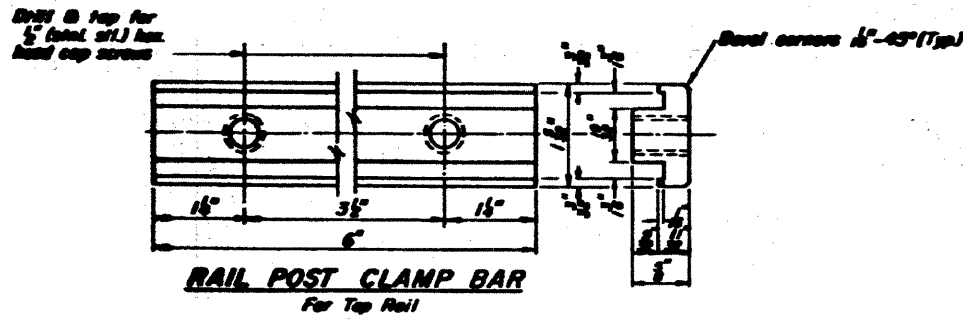
Contract # 60H76



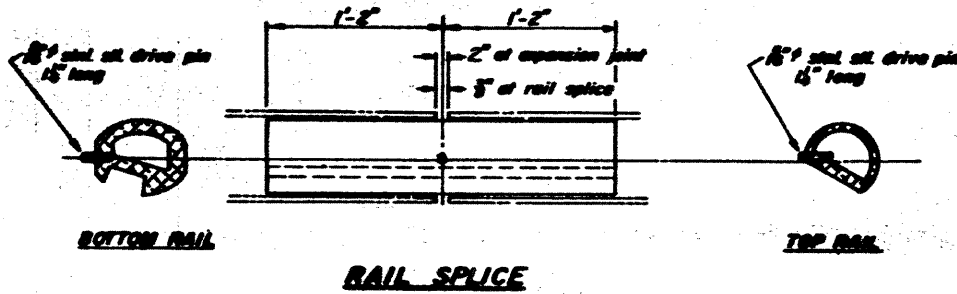
SECTION THRU TOP RAIL



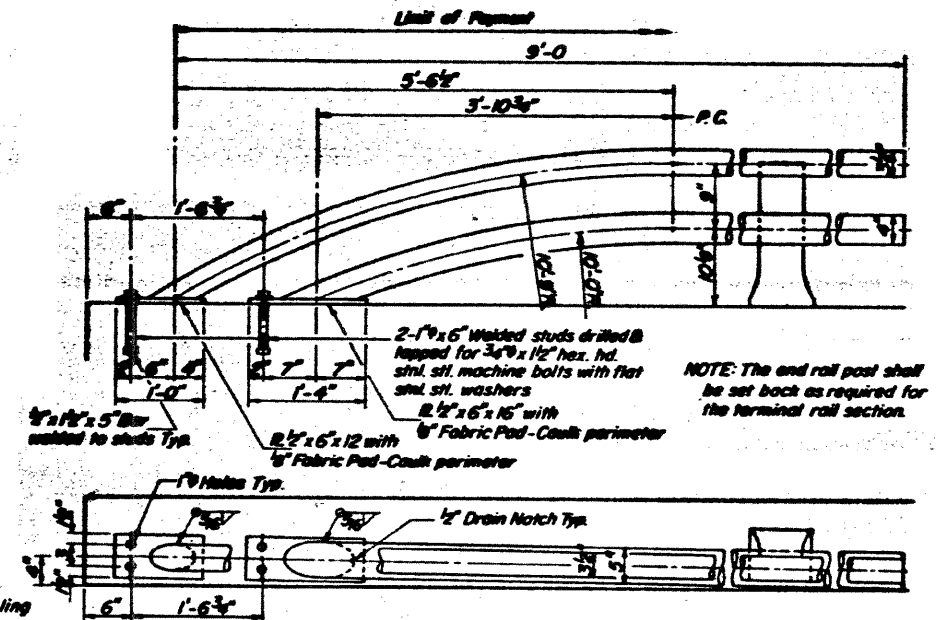
SECTION THRU SPLICE  
TOP RAIL



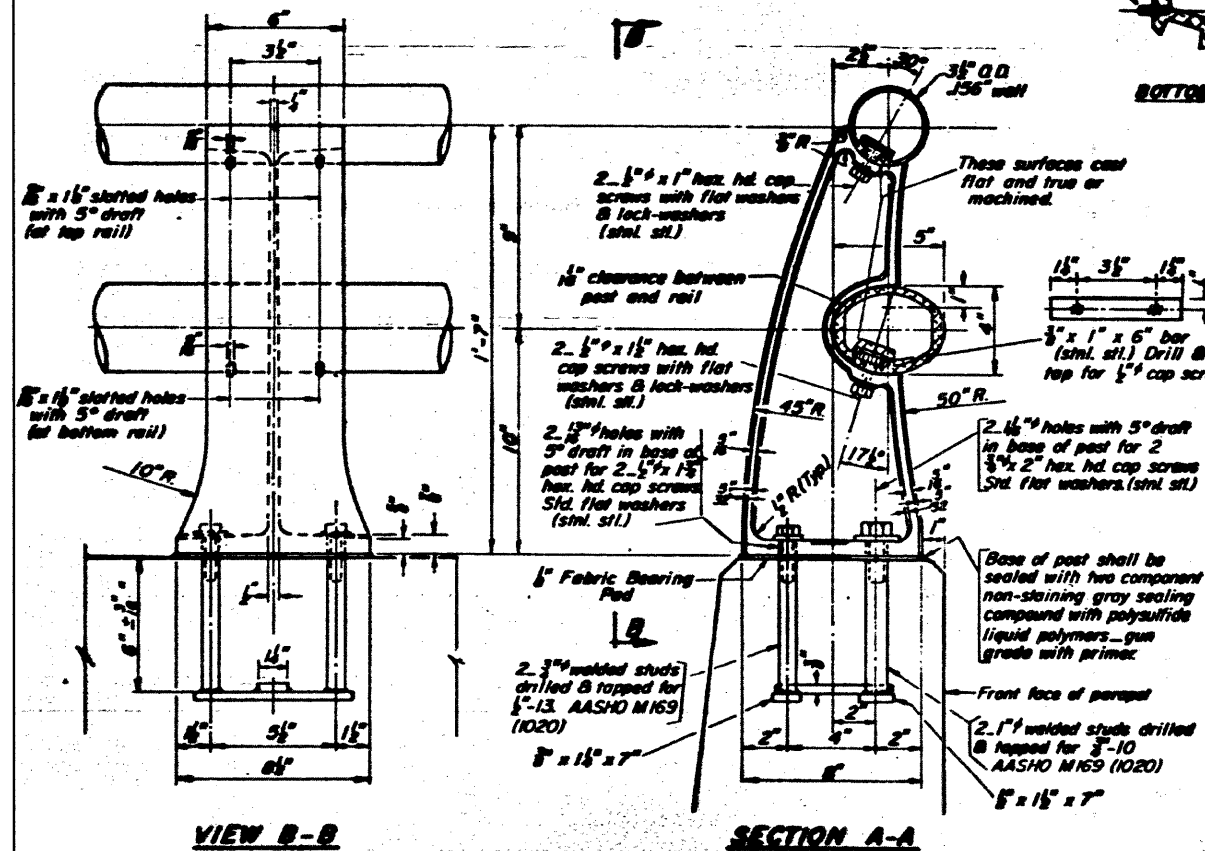
RAIL POST CLAMP BAR  
For Top Rail



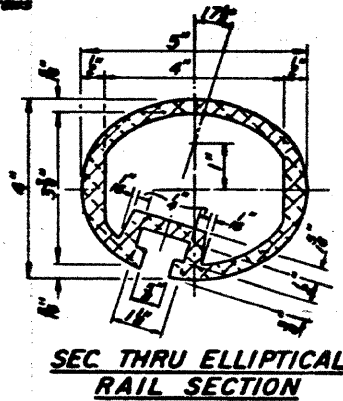
RAIL SPLICE



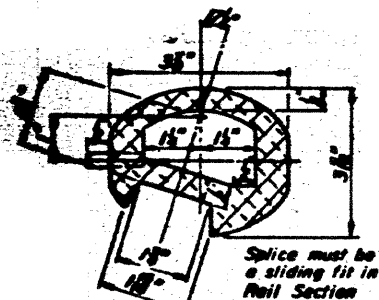
RAIL TERMINAL SECTION



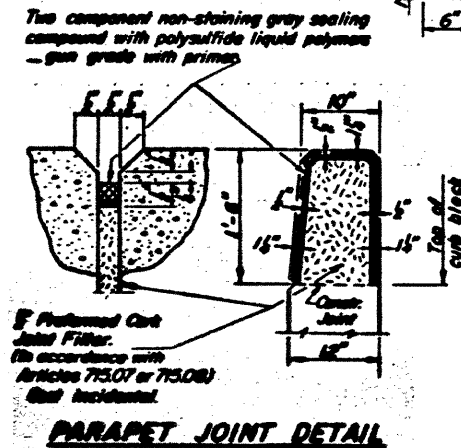
RAIL POST DETAILS



SEC THRU ELLIPTICAL  
RAIL SECTION



SEC THRU SPLICE



PARAPET JOINT DETAIL

FOR INFORMATION  
ONLY

DESIGNED	E.E.J.
CHECKED	J.A.Z.
DRAWN	E.E.J.
CHECKED	J.A.Z.

RAILING  
IL 50 (CICERO AVE) OVER BRC R.R.  
F.A.P. 350, SECTION 50-1 VB-1-BR  
COOK COUNTY  
S.N. 016-2512 (S.B.), 016-2513 (N.B.)  
DATE: 10-23-09  
GRAEF  
CHICAGO ILLINOIS