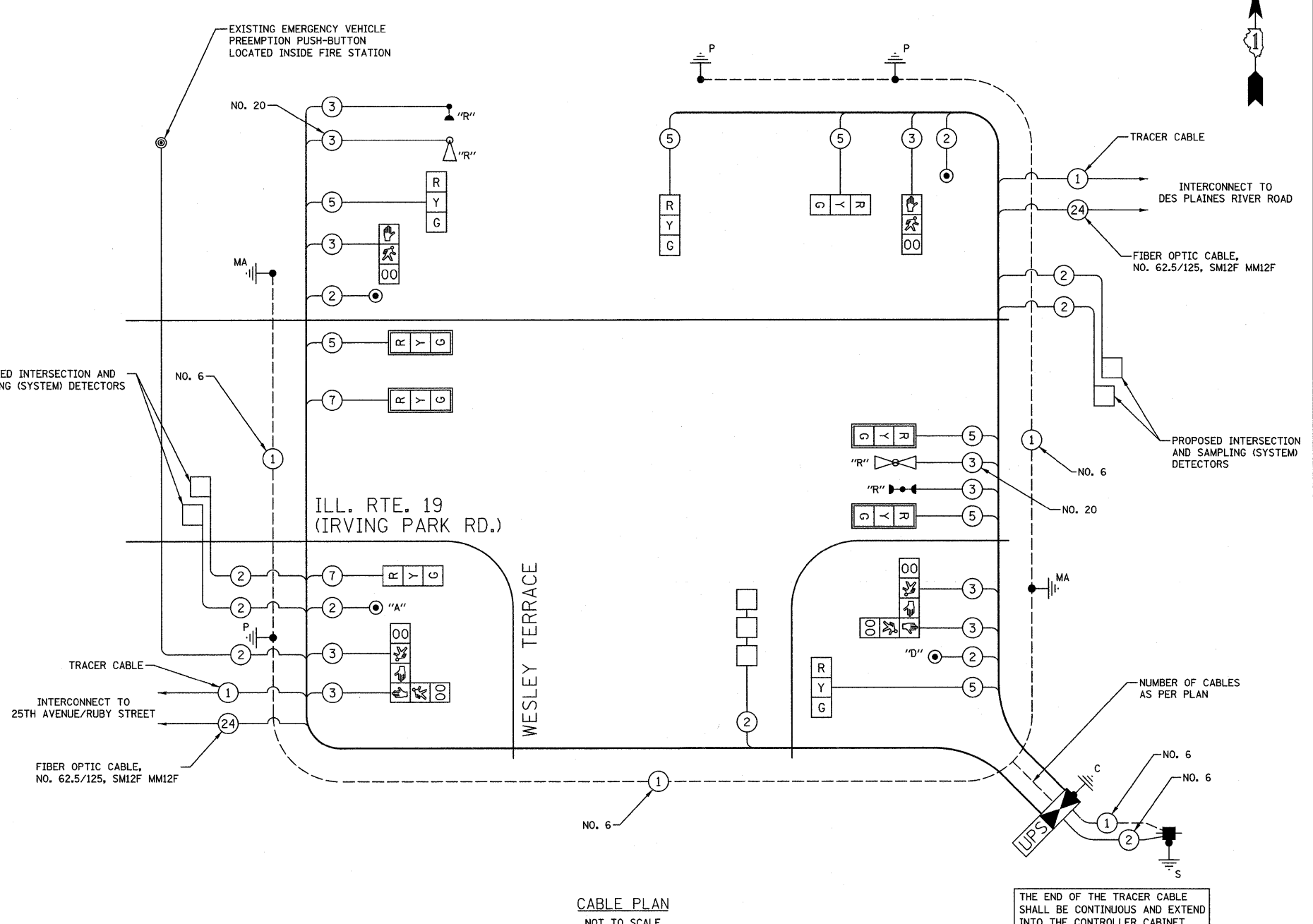


CABLE PLAN LEGEND

- | | | |
|----------|----------|---|
| EXISTING | PROPOSED | |
| | | 8" (200mm) TRAFFIC SIGNAL SECTION |
| | | 12" (300mm) TRAFFIC SIGNAL SECTION |
| | | 12" (300mm) PEDESTRIAN SIGNAL SECTION |
| | | 12" (300mm) PEDESTRIAN SIGNAL SECTION WITH COUNTDOWN TIMER |
| | | CONTROLLER CABINET |
| | | SERVICE INSTALLATION |
| | | TELEPHONE CONNECTION |
| | | MAGNETIC DETECTOR |
| | | EMERGENCY VEHICLE LIGHT DETECTOR |
| | | CONFIRMATION BEACON |
| | | PUSHBUTTON DETECTOR |
| | | VEHICLE DETECTOR, INDUCTION LOOP |
| | | DENOTES NUMBER OF CONDUCTORS, ALL CABLE NO. 14 EXCEPT AS INDICATED. ALL LOOP DETECTOR CABLE TO BE SHIELDED. |
| | | MICROWAVE VEHICLE SENSOR |
| | | SIGNAL FACE WITH BACKPLATE, "P" INDICATES PROGRAMMED HEAD |
| | | RAILROAD CONTROL CABINET |
| | | ILLUMINATED SIGN "NO LEFT TURN" |
| | | ILLUMINATED SIGN "NO RIGHT TURN" |
| | | GROUND ROD AT HANDHOLE (H), DOUBLE HANDHOLE (H), OR CONTROLLER (C). |
| | | GROUND ROD AT POST (P), OR MAST ARM POLE (MA). |
| | | GROUND ROD AT ELECTRIC SERVICE INSTALLATION |
| | | GROUND CABLE IN CONDUIT NO. 6 SOLID COPPER (GREEN) |
| | | UNINTERRUPTIBLE POWER SUPPLY |
| | | RELOCATED SIGNAL EQUIPMENT |

PROPOSED INTERSECTION AND SAMPLING (SYSTEM) DETECTORS



NOTE:
PUSH-BUTTON "A" SHALL PLACE A CALL TO PHASES 2 AND 8.
PUSH-BUTTON "D" SHALL PLACE A CALL TO PHASES 8 AND 2.

NOTE:
THE TRAFFIC SIGNAL CONTROLLER EQUIPMENT FOR THIS PROJECT SHALL BE "ECONOLITE" TO MATCH THE EXISTING ADJACENT SYSTEM.

I.D.O.T. TRAFFIC SIGNAL INSTALLATION ELECTRICAL SERVICE REQUIREMENTS					TOTAL WATTAGE
TYPE	NO. LAMPS	WATTAGE		% OPERATION	
SIGNAL (RED)	9	INCAND.	17	0.50	77
(YELLOW)	9	LED	25	0.25	56
(GREEN)	9		15	0.25	34
ARROW					
PED. SIGNAL	6		25	1.00	150
CONTROLLER	1		100	1.00	100
FLASHER				0.50	
TOTAL =					417

FOUNDATION (DEPTH)	FT. (m)	CABLE SLACK	FT. (m)	VERTICAL	FT. (m)
TYPE A - POST	4 (1.2)	HANDHOLE	6.5 (2.0)	ALL FOUNDATIONS	3.5 (2.0)
D- CONTROLLER	4 (1.2)	DOUBLE HANDHOLE	13 (4.0)	MAST ARM (L) POLE	20'+L-2=
E- M. ARM POLE		SIGNAL POST	2 (1.0)		6m+L-0.6m=
24" (600mm)	10 (3.0)	CONTROLLER CAB.	1 (0.5)	BRACKET MOUNTED	13 (4.0)
30" (750mm)	15 (4.6)	FIBER OPTIC	13 (4.0)	PED. PUSHBUTTON	4 (1.2)
36" (900mm)	15 (4.6)	ELECTRIC SERVICE	1 (0.5)	ELECTRIC SERVICE	13.5 (4.1)
		GROUND CABLE	1 (0.5)	SERVICE TO GROUND	13.5 (4.1)
				POST MOUNTED	6 (1.8)

ENERGY COSTS TO: ILLINOIS DEPARTMENT OF TRANSPORTATION
201 WEST CENTER COURT
SCHAUMBURG, IL 60196-1096

ENERGY SUPPLY: CONTACT: LINDA KLOC
PHONE: (708) 410-5313
COMPANY: COM ED