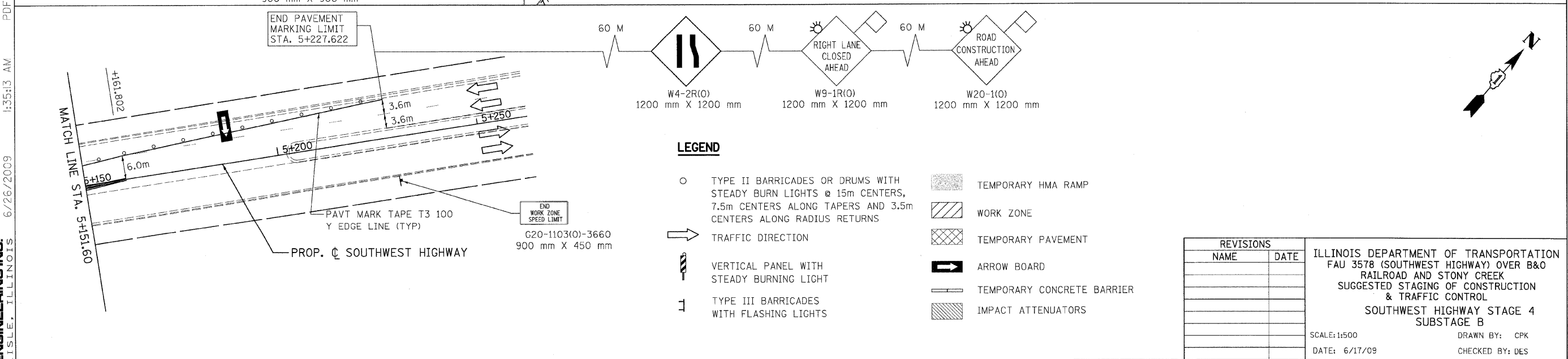
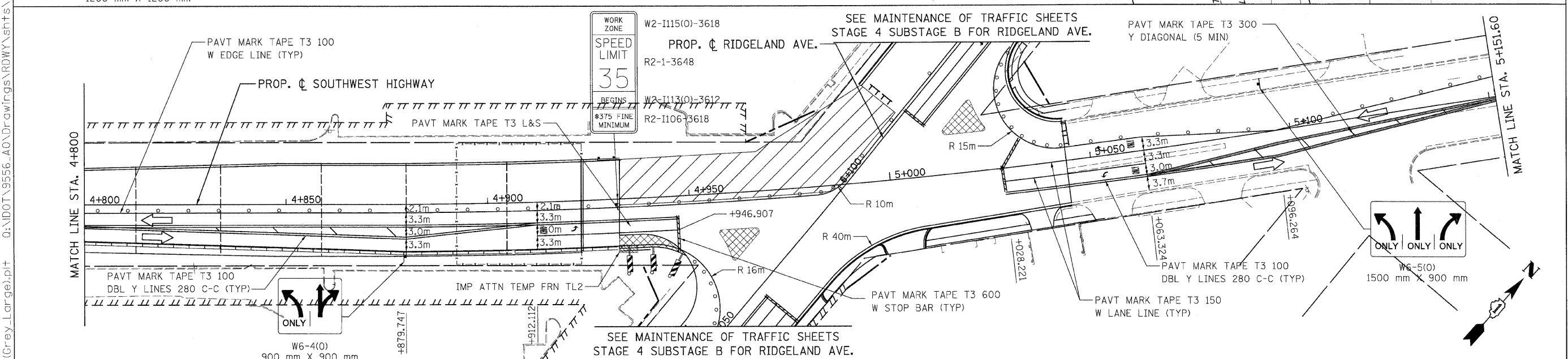
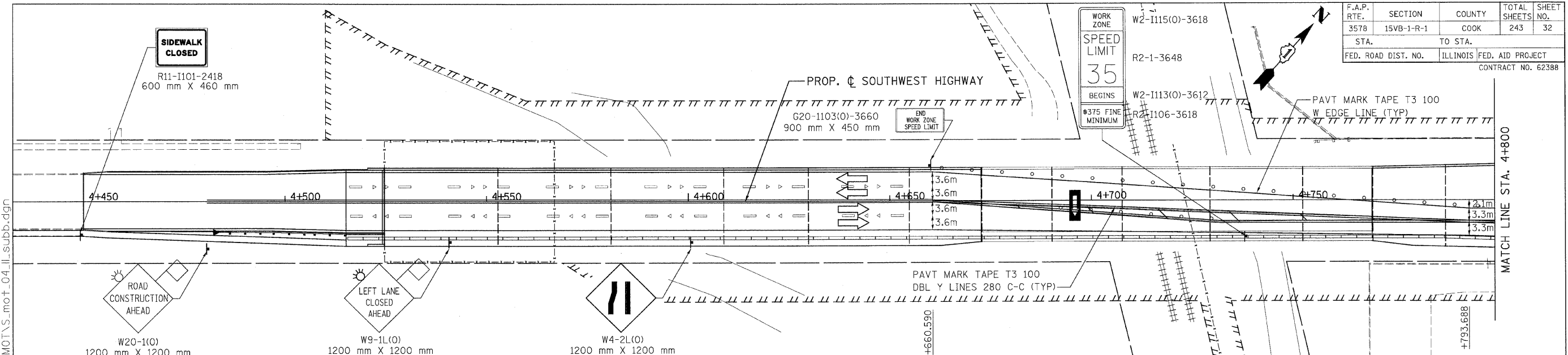


F.A.P. RTE.	SECTION	COUNTY	TOTAL SHEETS	SHEET NO.
3578	15VB-1-R-1	COOK	243	32
STA.		TO STA.		
FED. ROAD DIST. NO.		ILLINOIS FED. AID PROJECT		
CONTRACT NO. 62388				



LEGEND

- TYPE II BARRICADES OR DRUMS WITH STEADY BURN LIGHTS @ 15m CENTERS, 7.5m CENTERS ALONG TAPERS AND 3.5m CENTERS ALONG RADIUS RETURNS
- ➔ TRAFFIC DIRECTION
- ⚡ VERTICAL PANEL WITH STEADY BURNING LIGHT
- T TYPE III BARRICADES WITH FLASHING LIGHTS
- ▨ TEMPORARY HMA RAMP
- ▨ WORK ZONE
- ▨ TEMPORARY PAVEMENT
- ➔ ARROW BOARD
- ▨ TEMPORARY CONCRETE BARRIER
- ▨ IMPACT ATTENUATORS

REVISIONS	
NAME	DATE

ILLINOIS DEPARTMENT OF TRANSPORTATION
 FAU 3578 (SOUTHWEST HIGHWAY) OVER B&O
 RAILROAD AND STONY CREEK
 SUGGESTED STAGING OF CONSTRUCTION
 & TRAFFIC CONTROL
**SOUTHWEST HIGHWAY STAGE 4
 SUBSTAGE B**

SCALE: 1:500
 DATE: 6/17/09
 DRAWN BY: CPK
 CHECKED BY: DES

hkoepfen(Rdwy-Lisie) 6/26/2009 1:35:13 AM PDF(Grey_Large).plt 0:\DOT\9556_A0\Drawings\RDWY\shfts\MOT\S.mot_04_IL.subb.dgn

