

Upper Case to Lower Case
Spacing Chart 8-6 Inch Series "C & D"

EXAMPLE, 2³ DENOTES $\frac{3''}{8}$

UPPER AND LOWER CASE LETTER WIDTHS CONTRACT #62388

FIRST LETTER	SECOND LETTER																	
	a c d e		g o q		b h i k l		m n p r u		f w		J		s t		v y		x z	
	C	D	C	D	C	D	C	D	C	D	C	D	C	D	C	D	C	D
A W X	1 ²	1 ⁴	1 ⁴	1 ⁵	1 ²	1 ⁴	0 ⁶	1 ⁰	1 ¹	1 ⁴	0 ⁶	1 ⁰	1 ¹	1 ²	1 ²	1 ⁴	1 ⁴	
B	1 ⁴	1 ⁵	2 ⁰	2 ¹	1 ⁴	1 ⁵	1 ¹	1 ²	1 ⁴	1 ⁵	1 ²	1 ⁴	1 ²	1 ⁴	1 ⁶	1 ⁷	1 ⁷	
C E G	1 ⁴	1 ⁵	2 ⁰	2 ¹	1 ²	1 ⁴	0 ⁶	1 ⁰	1 ²	1 ⁴	1 ²	1 ⁴	1 ⁴	1 ⁵	1 ⁴	1 ⁵	1 ⁵	
D O Q R	1 ⁴	1 ⁵	2 ⁰	2 ¹	1 ⁴	1 ⁵	0 ⁶	1 ⁰	1 ²	1 ⁴	1 ²	1 ⁴	1 ⁴	1 ⁵	1 ⁴	1 ⁵	1 ⁵	
F	0 ⁵	0 ⁶	1 ⁴	1 ⁵	0 ⁶	1 ⁰	0 ⁵	0 ⁶	0 ⁶	1 ⁰	0 ⁶	1 ⁰	0 ⁶	1 ⁰	1 ¹	1 ²	1 ²	
H I M N	2 ⁰	2 ¹	2 ²	2 ⁴	2 ⁰	2 ¹	1 ⁴	1 ⁵	1 ⁶	1 ⁷	1 ⁶	1 ⁷	1 ⁶	1 ⁷	2 ⁰	2 ¹	2 ¹	
J U	2 ⁰	2 ¹	2 ⁰	2 ¹	1 ⁶	1 ⁷	1 ⁴	1 ⁵	1 ⁶	1 ⁷	1 ⁶	1 ⁷	1 ⁶	1 ⁷	2 ⁰	2 ¹	2 ¹	
K L	1 ¹	1 ²	1 ⁶	1 ⁷	1 ¹	1 ²	0 ⁵	0 ⁶	1 ¹	1 ²	1 ¹	1 ²	1 ¹	1 ²	1 ²	1 ⁴	1 ⁴	
P	1 ²	1 ⁴	1 ⁴	1 ⁵	1 ²	1 ⁴	0 ⁵	0 ⁶	1 ¹	1 ²	1 ¹	1 ²	1 ¹	1 ²	1 ²	1 ⁴	1 ⁴	
S	1 ²	1 ⁴	1 ⁶	1 ⁷	1 ²	1 ⁴	0 ⁶	1 ⁰	1 ²	1 ⁴	1 ²	1 ⁴	1 ²	1 ⁴	1 ²	1 ⁴	1 ⁴	
T	1 ¹	1 ²	1 ⁶	1 ⁷	0 ⁶	1 ⁰	0 ⁶	1 ⁰	1 ¹	1 ²	1 ¹	1 ²	1 ¹	1 ²	1 ²	1 ⁴	1 ⁴	
V	0 ⁶	1 ⁰	1 ⁴	1 ⁵	1 ¹	1 ²	0 ⁶	1 ⁰	1 ²	1 ⁴	1 ²	1 ⁴	1 ²	1 ⁴	1 ²	1 ⁴	1 ⁴	
Y	0 ⁵	0 ⁶	1 ⁴	1 ⁵	0 ⁶	1 ⁰	0 ⁵	0 ⁶	0 ⁵	0 ⁷	0 ⁵	0 ⁶	0 ⁶	1 ⁰	1 ¹	1 ²	1 ²	
Z	1 ⁶	1 ⁷	2 ²	2 ⁴	1 ⁶	1 ⁷	1 ²	1 ⁴	1 ⁶	1 ⁷	1 ⁶	1 ⁷	1 ⁶	1 ⁷	2 ⁰	2 ¹	2 ¹	

Lower Case to Lower Case
Spacing Chart 6 Inch Series "C & D"

FIRST LETTER	SECOND LETTER																	
	a c d e		g o q		b h i k l		m n p r u		f w		J		s t		v y		x z	
	C	D	C	D	C	D	C	D	C	D	C	D	C	D	C	D	C	D
ad h g i j	1 ⁶	1 ⁷	2 ²	2 ⁴	1 ⁶	1 ⁷	1 ²	1 ⁴	1 ⁴	1 ⁵	1 ⁴	1 ⁵	1 ⁶	1 ⁷	1 ⁶	1 ⁷	1 ⁷	
l m n q u																		
b f k o p s	1 ²	1 ⁴	1 ⁶	1 ⁷	1 ¹	1 ²	0 ⁵	0 ⁶	1 ¹	1 ²	1 ¹	1 ²	1 ¹	1 ²	1 ²	1 ⁴	1 ⁴	
c e	1 ²	1 ⁴	1 ⁶	1 ⁷	1 ²	1 ⁴	0 ⁶	1 ⁰	1 ²	1 ⁴	1 ²	1 ⁴	1 ²	1 ⁴	1 ²	1 ⁴	1 ⁴	
r	0 ⁶	1 ⁰	1 ²	1 ⁴	0 ⁶	1 ⁰	0 ³	0 ³	0 ⁵	0 ⁶	0 ⁵	0 ⁶	0 ⁶	1 ⁰	0 ⁶	1 ⁰	1 ⁰	
t z	1 ²	1 ⁴	1 ⁶	1 ⁷	1 ²	1 ⁴	0 ⁶	1 ⁰	1 ¹	1 ²	1 ¹	1 ²	1 ¹	1 ²	1 ²	1 ⁴	1 ⁴	
v y	1 ¹	1 ²	1 ⁴	1 ⁵	1 ¹	1 ²	0 ⁵	0 ⁶	0 ⁶	1 ⁰	0 ⁶	1 ⁰	1 ¹	1 ²	1 ¹	1 ²	1 ²	
w	1 ¹	1 ²	1 ⁴	1 ⁵	1 ¹	1 ²	0 ⁵	0 ⁶	1 ¹	1 ²	1 ¹	1 ²	1 ¹	1 ²	1 ²	1 ⁴	1 ⁴	
x	1 ²	1 ⁴	1 ⁶	1 ⁷	1 ¹	1 ²	0 ⁵	0 ⁶	1 ¹	1 ²	1 ¹	1 ²	1 ¹	1 ²	1 ²	1 ⁴	1 ⁴	

Number to Number
Spacing Chart 8 Inch Series "C & D"

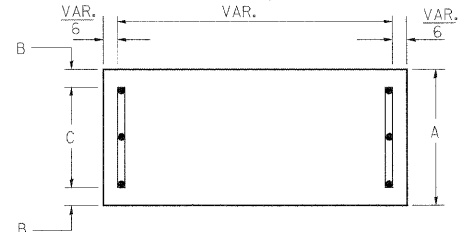
FIRST NUMBER	SECOND NUMBER																			
	0		1		2		3		4		5		6		7		8		9	
	C	D	C	D	C	D	C	D	C	D	C	D	C	D	C	D	C	D	C	D
0 9	1 ⁶	1 ⁷	1 ⁶	1 ⁷	1 ⁴	1 ⁵	1 ²	1 ⁴	1 ⁴	1 ⁵	1 ⁴	1 ⁵	1 ⁶	1 ⁷	1 ²	1 ⁴	1 ⁶	1 ⁷	1 ⁶	1 ⁷
1	2 ⁰	2 ¹	2 ⁰	2 ¹	2 ⁰	2 ¹	1 ⁶	1 ⁷	1 ⁴	1 ⁵	2 ⁰	2 ¹	2 ⁰	2 ¹	1 ⁴	1 ⁵	2 ⁰	2 ¹	2 ⁰	2 ¹
2 3 4	1 ⁴	1 ⁵	1 ⁴	1 ⁵	1 ⁴	1 ⁵	1 ²	1 ⁴	1 ²	1 ⁴	1 ⁴	1 ⁵	1 ⁴	1 ⁵	1 ¹	1 ²	1 ⁶	1 ⁷	1 ⁴	1 ⁵
5	1 ⁴	1 ⁵	1 ⁴	1 ⁵	1 ⁴	1 ⁵	1 ¹	1 ²	1 ¹	1 ²	1 ⁴	1 ⁵	1 ⁴	1 ⁵	1 ¹	1 ²	1 ⁴	1 ⁵	1 ⁴	1 ⁵
6	1 ⁶	1 ⁷	1 ⁴	1 ⁵	1 ⁴	1 ⁵	1 ²	1 ⁵	1 ²	1 ⁴	1 ⁴	1 ⁵	1 ⁴	1 ⁵	1 ¹	1 ²	1 ⁴	1 ⁵	1 ⁴	1 ⁵
7	1 ²	1 ⁴	1 ²	1 ⁴	1 ⁴	1 ⁵	1 ²	1 ⁵	0 ⁵	0 ⁶	1 ²	1 ⁴	1 ⁴	1 ⁵	1 ¹	1 ²	1 ⁴	1 ⁵	1 ²	1 ⁴
8	1 ⁶	1 ⁷	1 ⁶	1 ⁷	1 ⁴	1 ⁵	1 ²	1 ⁵	1 ²	1 ⁴	1 ⁴	1 ⁵	1 ⁶	1 ⁷	1 ²	1 ⁴	1 ⁶	1 ⁷	1 ⁴	1 ⁵

NUMBER	6 INCH SERIES		8 INCH SERIES	
	C	D	C	D
1	1 ²	1 ⁴	1 ⁵	2 ⁰
2	3 ²	4 ⁰	4 ³	5 ³
3	3 ²	4 ⁰	4 ³	5 ³
4	3 ⁵	4 ³	4 ⁷	5 ⁷
5	3 ²	4 ⁰	4 ³	5 ³
6	3 ²	4 ⁰	4 ³	5 ³
7	3 ²	4 ⁰	4 ³	5 ³
8	3 ²	4 ⁰	4 ³	5 ³
9	3 ²	4 ⁰	4 ³	5 ³
0	3 ⁴	4 ²	4 ⁵	5 ⁵

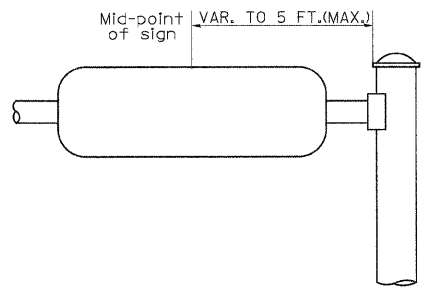
REVISIONS	
NAME	DATE

ILLINOIS DEPARTMENT OF TRANSPORTATION
DISTRICT 1
MAST ARM MOUNTED STREET NAME SIGNS
SOUTHWEST HWY/RIDGELAND AVE.
SCALE: N.T.S.
DATE: 06-17-2009
DRAWN BY: BL
DESIGNED BY: ERR
CHECKED BY: RB

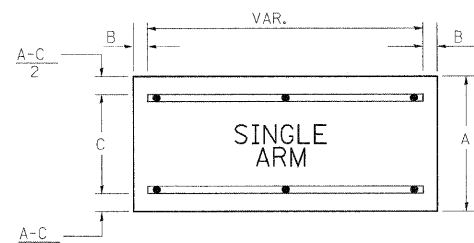
SUPPORTING CHANNELS



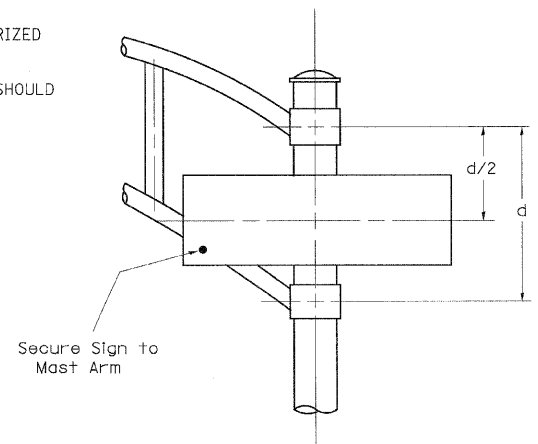
A	B	C
18"	2"	14"



SUPPORTING CHANNELS



A	B	C
18"	2"	12"
30"	2"	22"

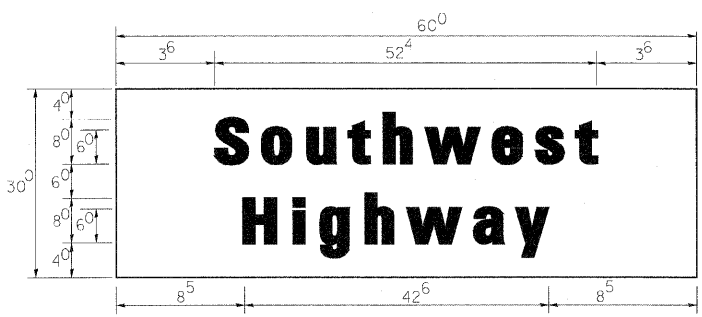


DUAL ARM

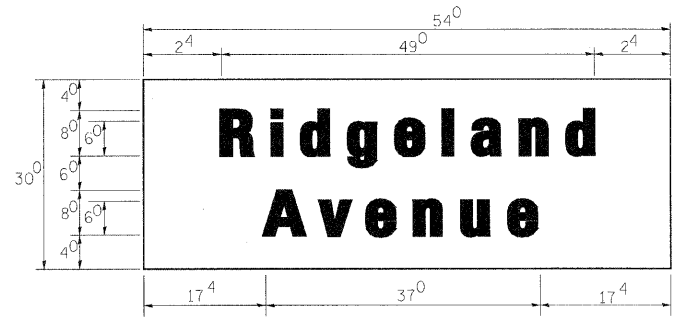
SIGNFIX ALUMINUM CHANNEL FRAMING SYSTEM
Shall be used. See Note #5.

NOTE: SIGN DIMENSIONS ARE IN ENGLISH UNITS

PANEL SIGN DESIGN TYPE 2



— Sq. M. each
12.5 Sq. Ft. each
— 2 Required
Design Series **D**



— Sq. M. each
11.25 Sq. Ft. each
— 2 Required
Design Series **D**

GENERAL NOTES

- WHERE MAST ARM MOUNTED STREET NAME SIGNS ARE SPECIFIED, THE MAST ARM ASSEMBLY AND POLES SHALL BE DESIGNED TO SUPPORT THE LOADINGS CALLED FOR ON STANDARDS 834001, 834006 AND 834011, AS APPLICABLE, PLUS TWO (2) SIGN PANELS 2'-6" x 6'-0" MOUNTED AS SHOWN. THE DESIGN SHALL BE IN ACCORDANCE WITH THE REQUIREMENTS OF THE CURRENT "STANDARD SPECIFICATIONS FOR STRUCTURAL SUPPORTS FOR HIGHWAY SIGNS, LUMINAIRES, AND TRAFFIC SIGNALS" AS PUBLISHED BY THE AMERICAN ASSOCIATION OF STATE HIGHWAY AND TRANSPORTATION OFFICIALS FOR 80 M.P.H. WIND VELOCITY.
- ALL SIGNS SHALL HAVE A WHITE REFLECTORIZED LEGEND AND BORDER ON A GREEN REFLECTORIZED BACKGROUND, TYPE A SHEETING.
- THE SIGN LENGTH SHOULD BE INCREASED IN 6-INCH INCREMENTS, BUT THE OVERALL LENGTH SHOULD NOT EXCEED 6'-0".
- ALL BORDERS SHALL BE 3/4" WIDE AND CORNER RADIUS SHALL BE 2-1/4".

SIGNFIX ALUMINUM CHANNEL FRAMING SYSTEM SHALL BE USED FOR ALL SIGNS ATTACHED TO SIGNAL POLES AND POSTS. LOCAL SUPPLIERS OF THE SIGNFIX ALUMINUM CHANNEL FRAMING SYSTEM ARE:

- A.K.T. CORPORATION, SCHAUMBURG, IL
- TUCKER COMPANY, INC., WAUWATOSA, WI
- AMERICAN FABRICATION CO., CHICAGO HEIGHTS, IL
- WESTERN TRAFFIC CONTROL INC., CICERO, IL

PARTS LISTING

- SIGN CHANNEL PART #HPN053 (MED. CHANNEL)
- SIGN SCREWS 1/4" x 14 x 1" H.W.H. #3
- BRACKETS PART #HPN034 (UNIVERSAL)

CHANNEL CLAMPS WITH STAINLESS STEEL STRAPPING
OTHER BRANDS OF MOUNTING HARDWARE ARE ACCEPTABLE, BASED UPON THE DEPARTMENT'S APPROVAL AND COMPATIBILITY WITH THE CHANNEL/BACKET OF THE ABOVE PRODUCT.