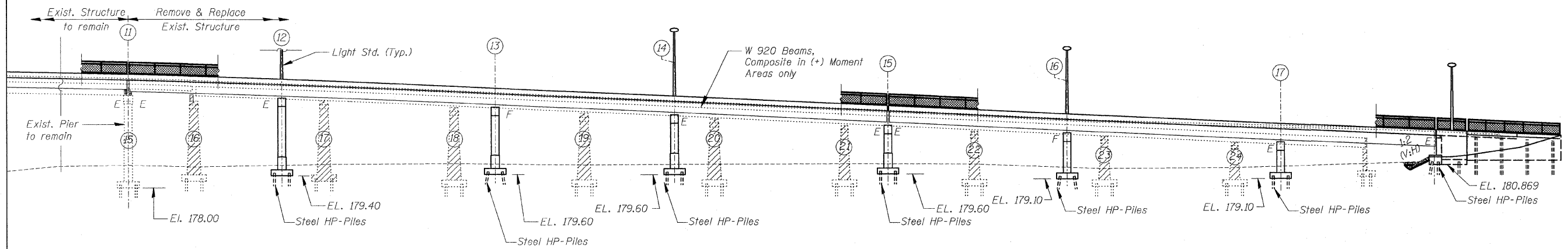
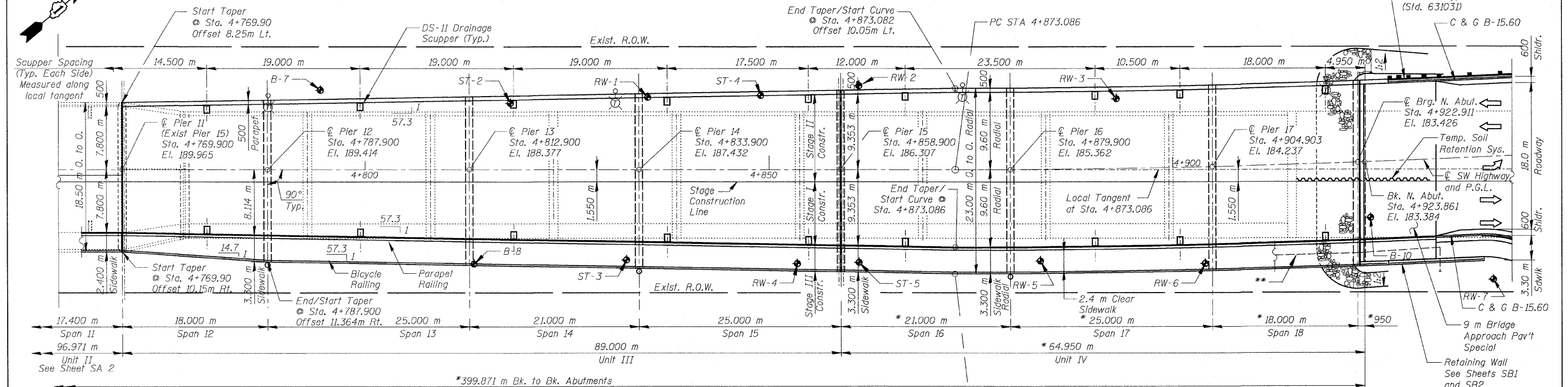


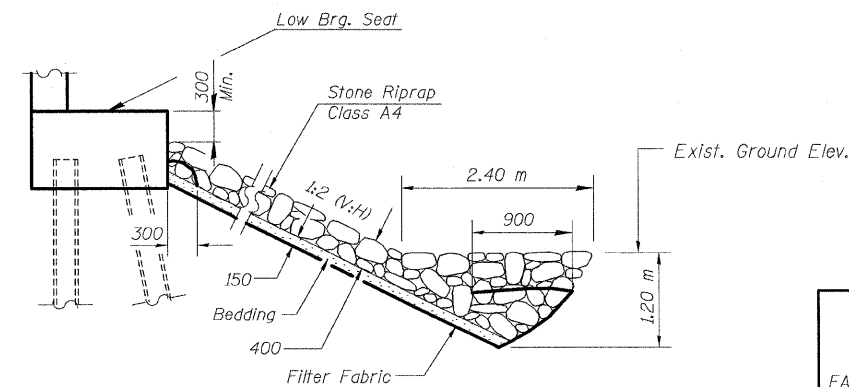
F.A.U. RTE.	SECTION	COUNTY	TOTAL SHEETS	SHEET NO.
3578	15V B-1-R-1	COOK	243	90
STA.		TO STA.		
FED. ROAD DIST. NO.	ILLINOIS	FED. AID PROJECT		
		CONTRACT NO. 62388		



ELEVATION



PLAN



STONE RIPRAP ANCHOR DETAIL AT ABUTMENT

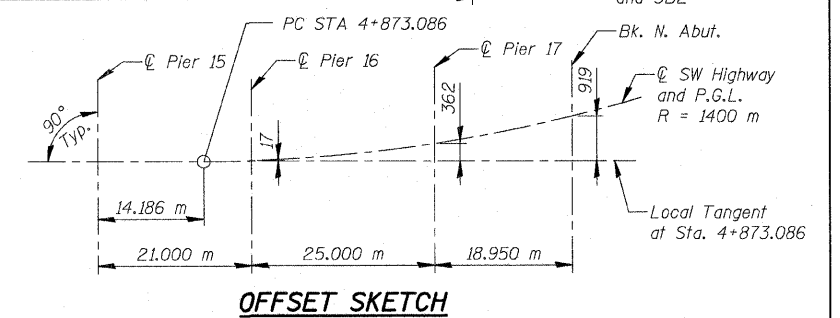
STATION 4+716.497
 BUILT 200_ BY
 STATE OF ILLINOIS
 FAU 3578 SECTION 15V B-1-R-1
 F.A. PROJ.
 LOADING MS18
 STR. NO. 016-2771

NAME PLATE
 See Std. 515001

PROP. CURVE P-SW

PI STA = 4+981.784
 $\Delta = 8^\circ 52' 45''$ (LT)
 $R = 1,400.000$ m
 $T = 108.697$ m
 $L = 216.960$ m
 $E = 4.213$ m
 $e =$ Normal Crown
 P.C. STA = 4+873.086
 P.T. STA = 5+090.046

* Measured along local tangent
 ** Conduit for future interconnect.
 (See Conduit Note on Sheet SA 2 of SA 110)



OFFSET SKETCH

REVISIONS	
NAME	DATE

ILLINOIS DEPARTMENT OF TRANSPORTATION
 GENERAL PLAN AND ELEVATION
 UNIT III & UNIT IV
 SOUTHWEST HIGHWAY OVER
 B&O RAILROAD AND STONY CREEK
 FAU 3578 SECTION 15V B-1-R-1
 STRUCTURE NUMBER 016-2771
 COOK COUNTY STATION 4+716.497
 SCALE: NONE DRAWN BY: E. Mroczek
 DATE: 6/17/09 CHECKED BY: G. Hattestad

\$FILE\$
 \$TIME\$
 \$DATE\$
 \$USER\$

