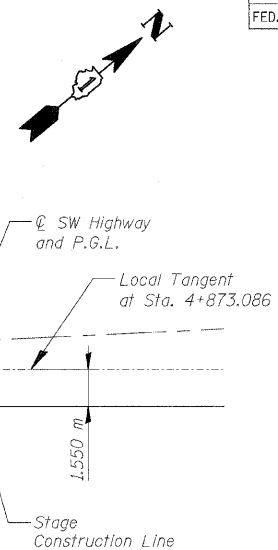
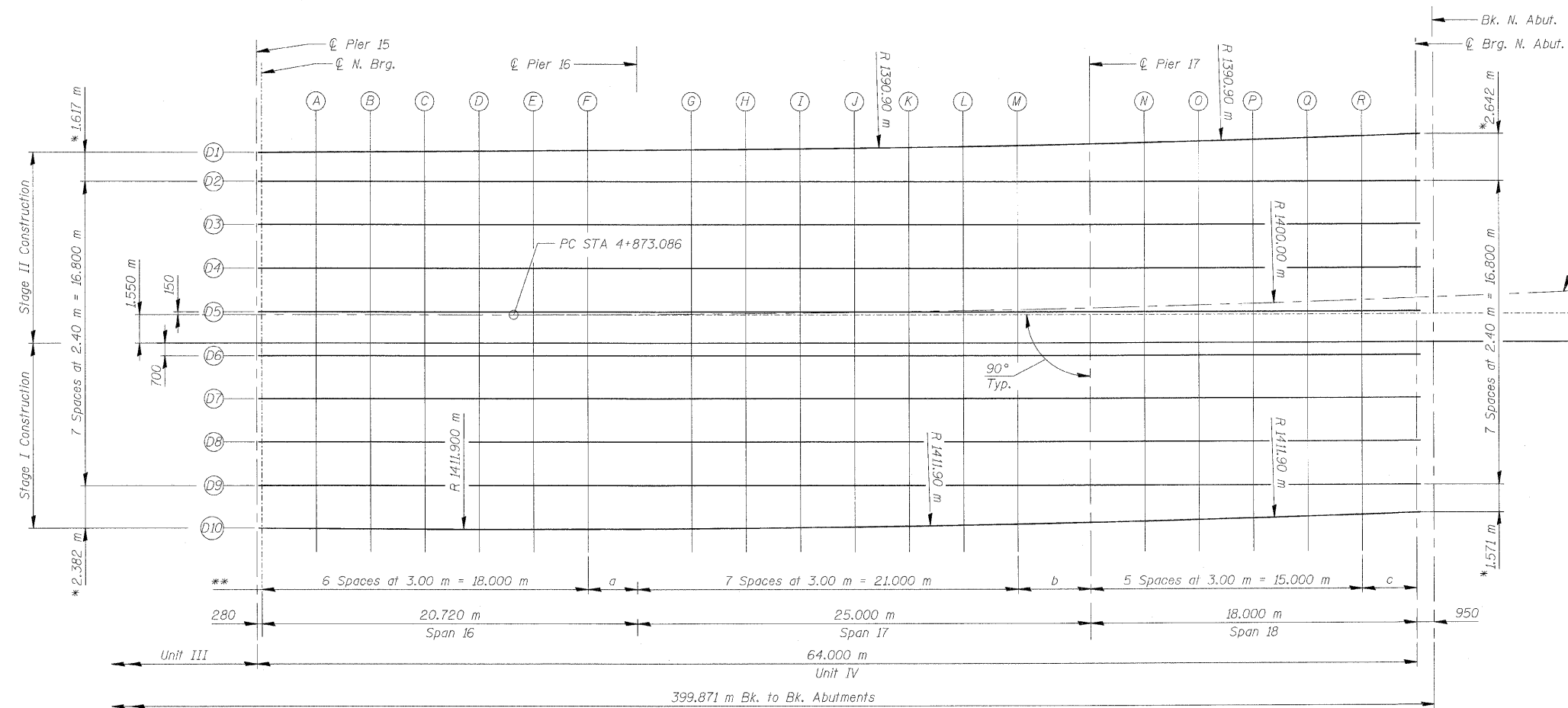


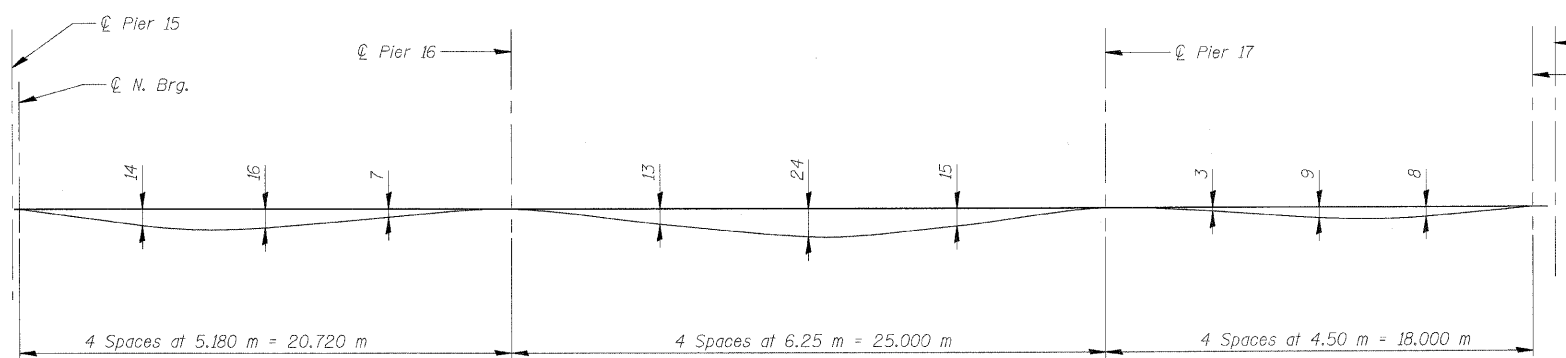
F.A.U. RTE.	SECTION	COUNTY	TOTAL SHEETS	SHEET NO.
3578	15V B-1-R-1	COOK	243	104
STA.		TO STA.		
FED. ROAD DIST. NO.		ILLINOIS	FED. AID PROJECT	
CONTRACT NO. 62388				



LINE	a (m)	b (m)	c (m)
D1	2.721	4.003	3.008
D2 TO D9	2.720	4.000	3.000
PGL	2.720	4.003	3.008
Stage Constr. Line	2.720	4.000	3.000
D10	2.720	4.003	3.008

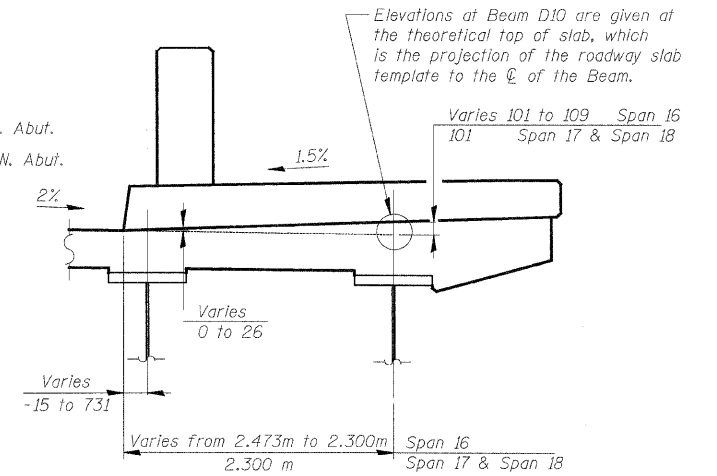
* Measured along \varnothing Brg.
 ** Measured along \varnothing Beam

PLAN



DEAD LOAD DEFLECTION DIAGRAM
 (Includes the weight of concrete only)

Note: The above deflections are not to be used in the field if the Engineer is working from the Theoretical Grade Elevations Adjusted for Dead Load Deflections as shown on sheets SA17 thru SA18.



LOCATION OF ELEVATIONS AT FASCIA BEAM

NOTES

- See Sheet SA9 for fillet height detail.
- All dimensions are in millimeters (mm) except as noted.

REVISIONS	NAME	DATE

ILLINOIS DEPARTMENT OF TRANSPORTATION
TOP OF SLAB ELEVATIONS - UNIT IV-A
 SOUTHWEST HIGHWAY OVER
 B&O RAILROAD AND STONY CREEK
 FAU 3578 SECTION 15V B-1-R-1
 STRUCTURE NUMBER 016-2771
 COOK COUNTY STATION 4+716.497
 SCALE: NONE DRAWN BY: E. Mroozek
 DATE: 6/17/09 CHECKED BY: A. Yargiooglu

G:\NDOT\9556-AD\Drawings\STRUCT\16_Top slab Elev UnitIV A.dgn
 6/26/2009 10:33 AM
 kkoepfen@rdwy.lisle

