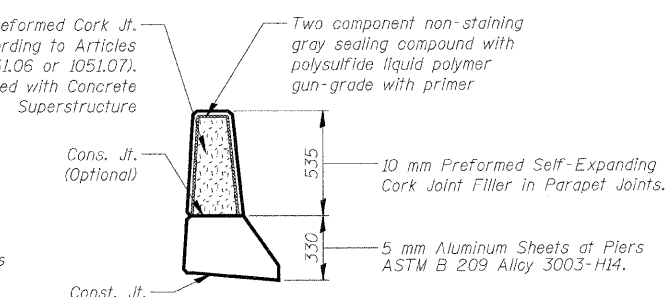
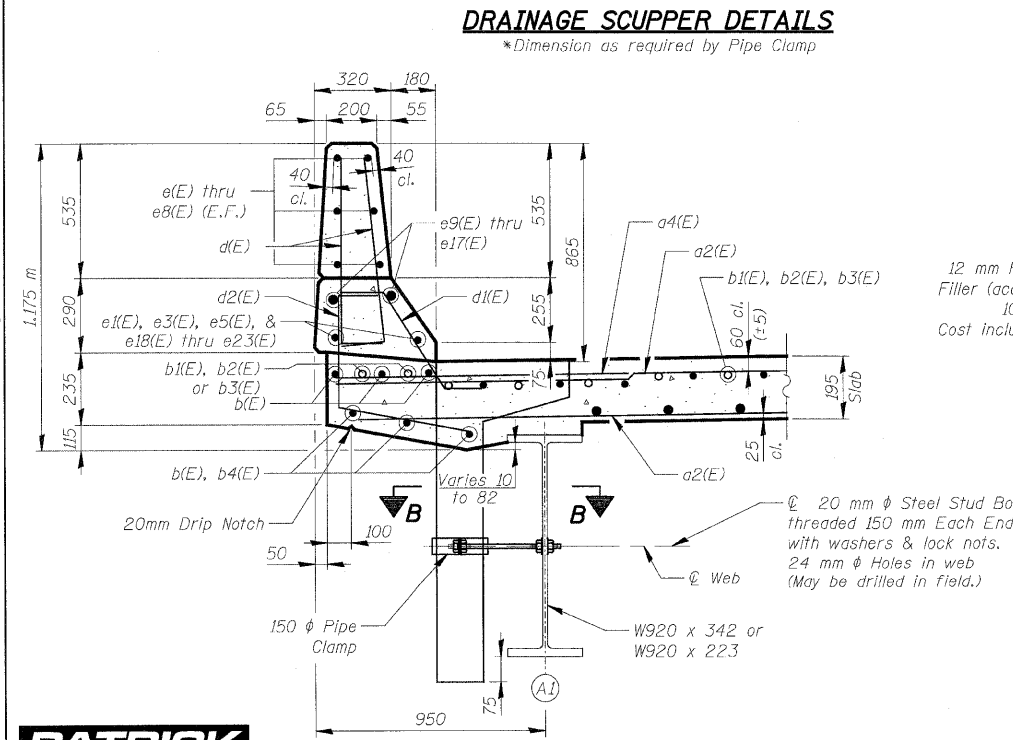
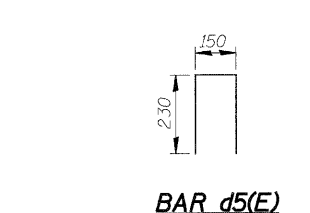
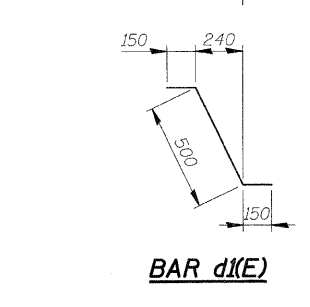
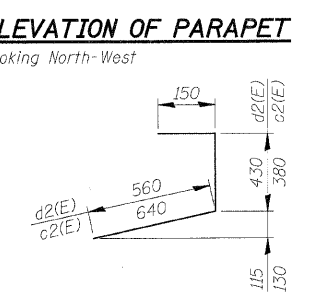
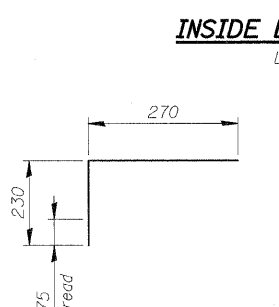
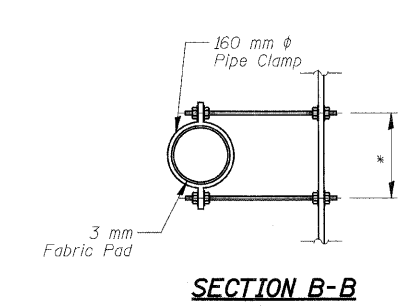
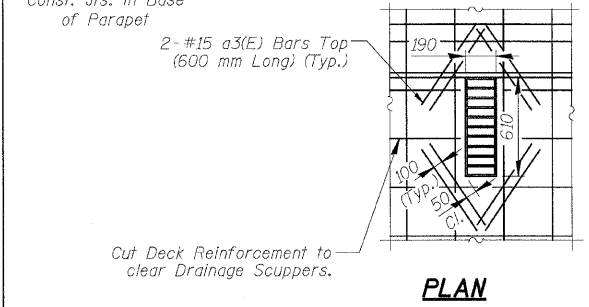
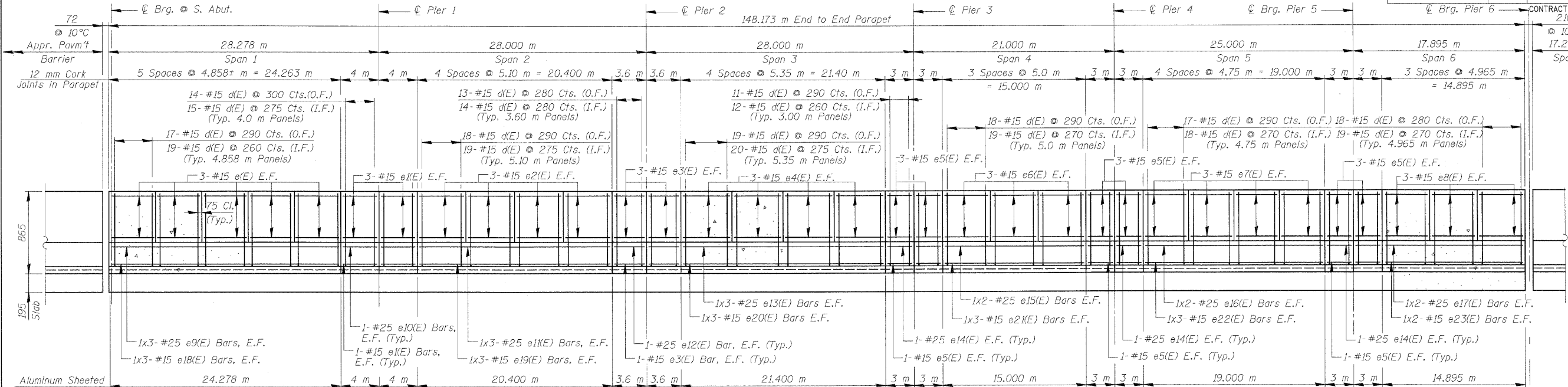


F.A.U. RTE.	SECTION	COUNTY	TOTAL SHEETS	SHEET NO.
3578	15V B-1-R-1	COOK	243	110
STA.	TO STA.			
FED. ROAD DIST. NO.	ILLINOIS	FED. AID PROJECT		
	CL Brg. Pier 6	CONTRACT NO. 62388		
		210		



INSIDE ELEVATION OF PARAPET
Looking North-West

SUPERSTRUCTURE - UNIT I
BILL OF MATERIAL

BAR NO.	SIZE	LENGTH (m)	SHAPE
a(E)	1061 #15	9.45	—
a1(E)	744 #15	9.45	—
a2(E)	1805 #15	9.75	—
a3(E)	128 #15	0.60	—
a4(E)	530 #20	1.20	—
b(E)	2068 #15	10.35	—
b1(E)	65 #20	15.00	—
b2(E)	65 #20	13.70	—
b3(E)	195 #20	12.70	—
b4(E)	124 #15	5.70	—
c(E)	495 #15	0.50	—
c1(E)	495 #15	3.20	—
c2(E)	495 #15	1.17	—
d(E)	1096 #15	0.91	—
d1(E)	540 #15	0.80	—
d2(E)	495 #15	1.14	—
d3(E)	529 #20	1.08	—
d4(E)	529 #15	1.08	—
d5(E)	100 #15	0.61	—
e(E)	60 #15	4.71	—
e1(E)	28 #15	3.85	—
e2(E)	48 #15	4.95	—
e3(E)	28 #15	3.45	—
e4(E)	48 #15	5.20	—
e5(E)	84 #15	2.85	—
e6(E)	36 #15	4.85	—
e7(E)	48 #15	4.60	—
e8(E)	36 #15	4.84	—
e9(E)	6 #25	8.75	—
e10(E)	4 #25	3.85	—
e11(E)	6 #25	7.46	—
e12(E)	4 #25	3.45	—
e13(E)	6 #25	7.79	—
e14(E)	12 #25	2.85	—
e15(E)	4 #25	7.96	—
e16(E)	4 #25	9.96	—
e17(E)	4 #25	7.94	—
e18(E)	6 #15	8.39	—
e19(E)	6 #15	7.09	—
e20(E)	6 #15	7.43	—
e21(E)	6 #15	7.68	—
e22(E)	6 #15	6.63	—
e23(E)	4 #15	7.66	—
x(E)	66 #15	1.28	—
x1(E)	63 #15	0.77	—
Concrete Superstructure	m ³	801.4	
Bridge Deck Grooving	m ²	2,223	
Protective Coat	m ²	3,203	
Reinforcement Bars, Epoxy Coated	kg	114,840	
Bar Splicers	Each	1,801	

Bar	A	B
d(E)	150	760
d3(E)	265	815
d4(E)	265	815
x(E)	180	1.1 m
x1(E)	260	510

PARAPET JOINT DETAILS

NOTES

- Reinforcement bars designated (E) shall be Epoxy Coated.
- Bars indicated thus 20 x 3 - #15 etc. indicates 20 lines of bars with 3 lengths per line.
- All dimensions are in millimeters (mm) except as noted.
- The cost of expansion anchors/inserts is included in the cost of Reinforcement Bars, Epoxy Coated.

REVISIONS	
NAME	DATE

ILLINOIS DEPARTMENT OF TRANSPORTATION
SUPERSTRUCTURE DETAILS - UNIT I - B
SOUTHWEST HIGHWAY OVER
B&O RAILROAD AND STONY CREEK
FAU 3578 SECTION 15V B-1-R-1
STRUCTURE NUMBER 016-2771
COOK COUNTY STATION 4+716.497
SCALE: NONE DRAWN BY: M. Tryon
DATE: 6/17/09 CHECKED BY: A. Yargoolgu



G:\NDOT\9556-AD\Drawings\STRUCT\21_Deck_Details\UNIT I_B.dwg
 6/26/2009 10:39 AM
 kjoepem(rdw.L)