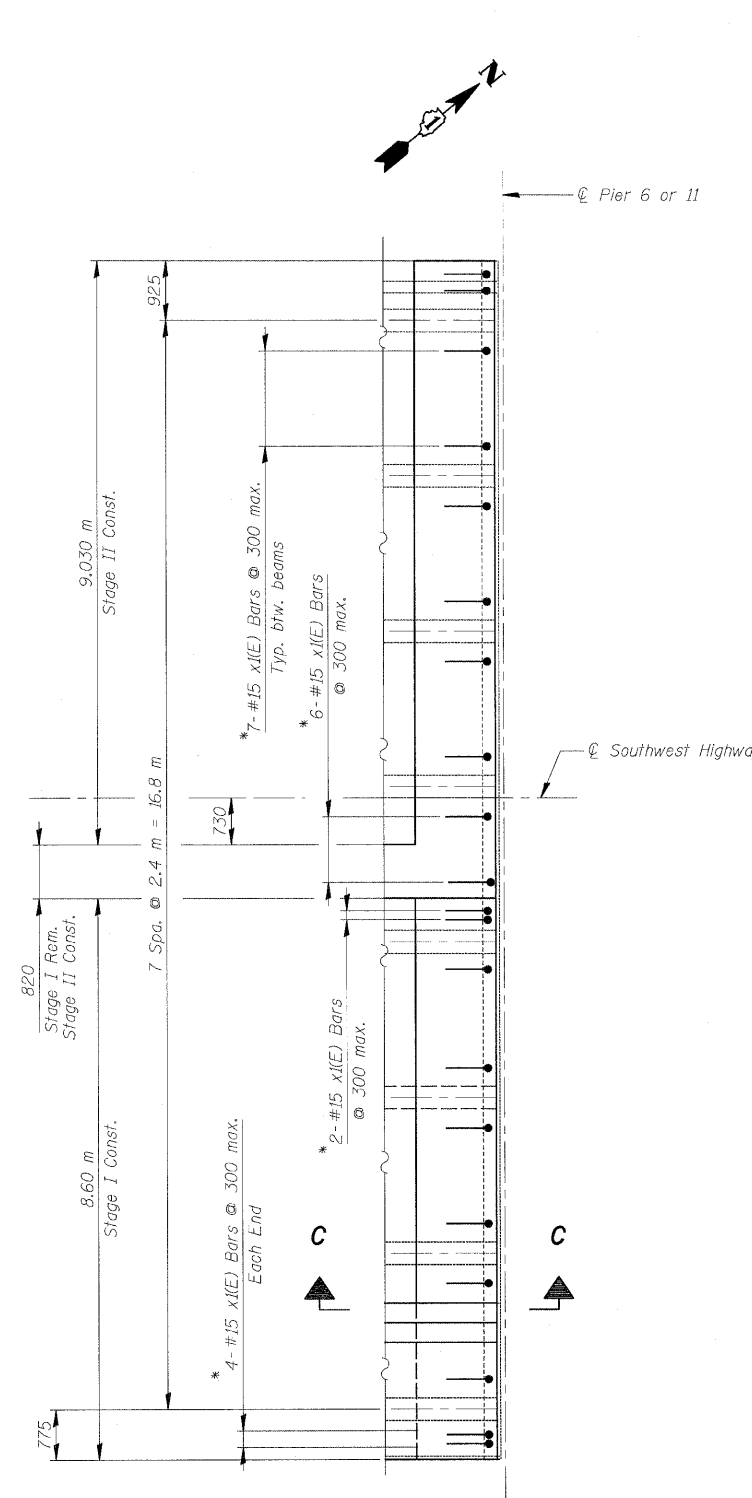
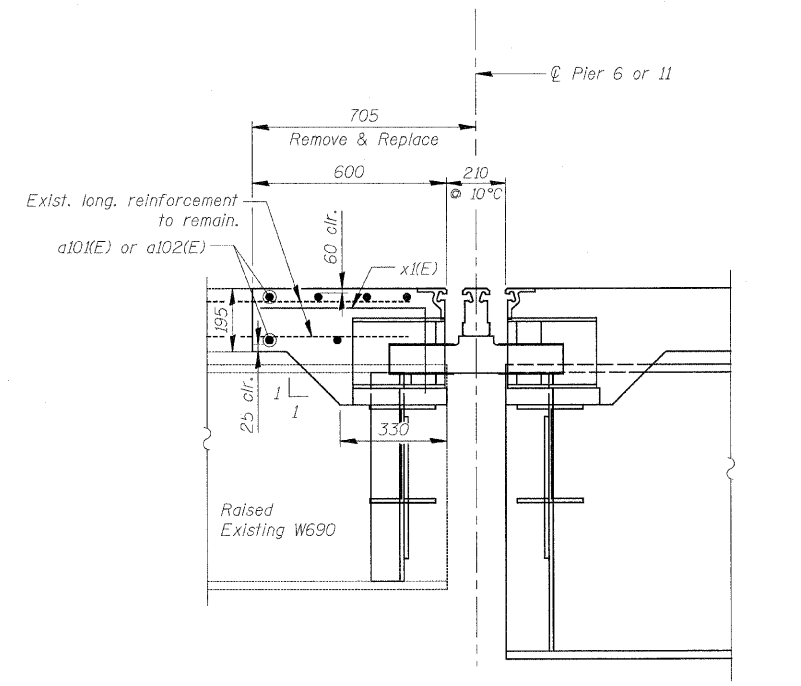


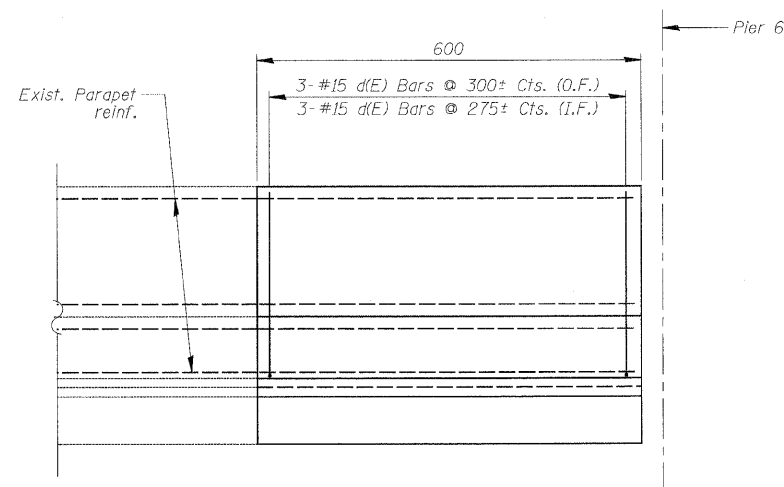
F.A.U. RTE.	SECTION	COUNTY	TOTAL SHEETS	SHEET NO.
3578	15V B-1-R-1	COOK	243	113
STA.		TO STA.		
FED. ROAD DIST. NO.		ILLINOIS	FED. AID PROJECT	
CONTRACT NO. 62388				



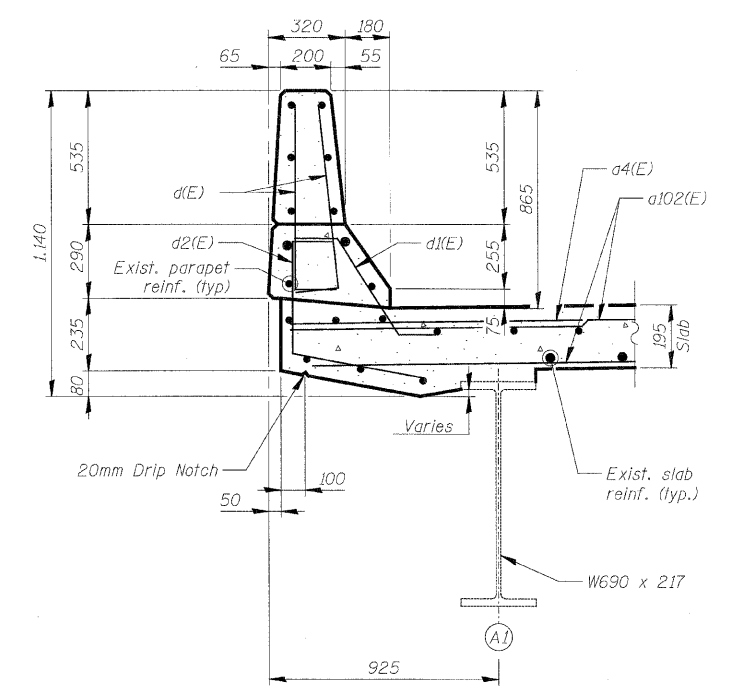
**EDGE BEAM PLAN**  
 East Edge Beam shown. West Edge Beam similar by reflection.  
 \* Adjust spacing to miss support boxes.



**SECTION C-C**



**INSIDE ELEVATION OF PARAPET**  
 Looking North-West  
 Opposite End similar by reflection  
 O.F. = Outside Face. I.F. = Inside Face.



**SECTION THROUGH PARAPET**

**END DIAPHRAGM**

**NOTES**  
 1. All dimensions are in millimeters (mm) except as noted.

REVISIONS		ILLINOIS DEPARTMENT OF TRANSPORTATION SUPERSTRUCTURE DETAILS - UNIT II-A SOUTHWEST HIGHWAY OVER B&O RAILROAD AND STONY CREEK FAU 3578 SECTION 15V B-1-R-1 STRUCTURE NUMBER 016-2771 COOK COUNTY STATION 4+716.497
NAME	DATE	
		SCALE: NONE DATE: 6/17/09
		DRAWN BY: A. Durbak CHECKED BY: A. Yargiooglu

G:\NDOT\9556\_A0\Drawings\STRUCT\23A\_Deck\_Details\_UNIT\_II.dgn  
 6/26/2009 10:23 AM  
 +kpcpcom(Rdwy.L)isg  
**PATRICK ENGINEERING INC.**  
 LISLE, ILLINOIS