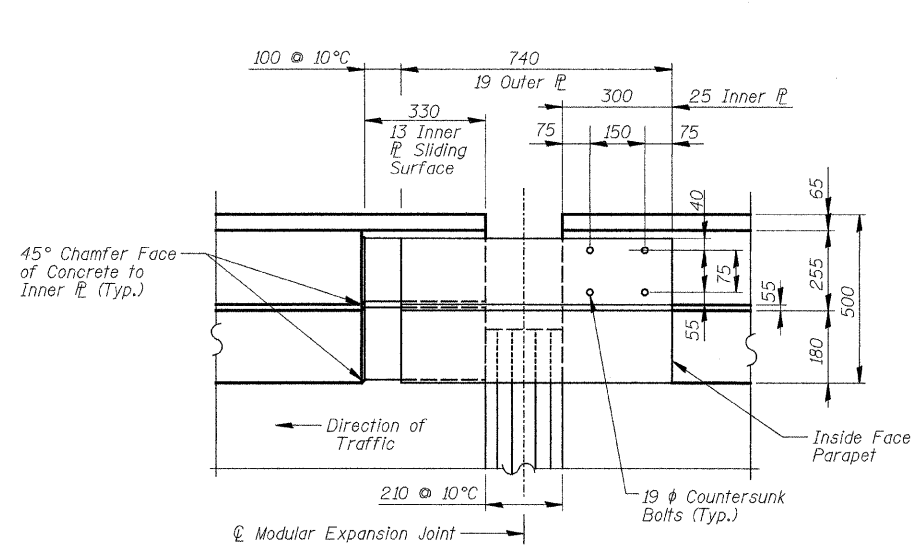
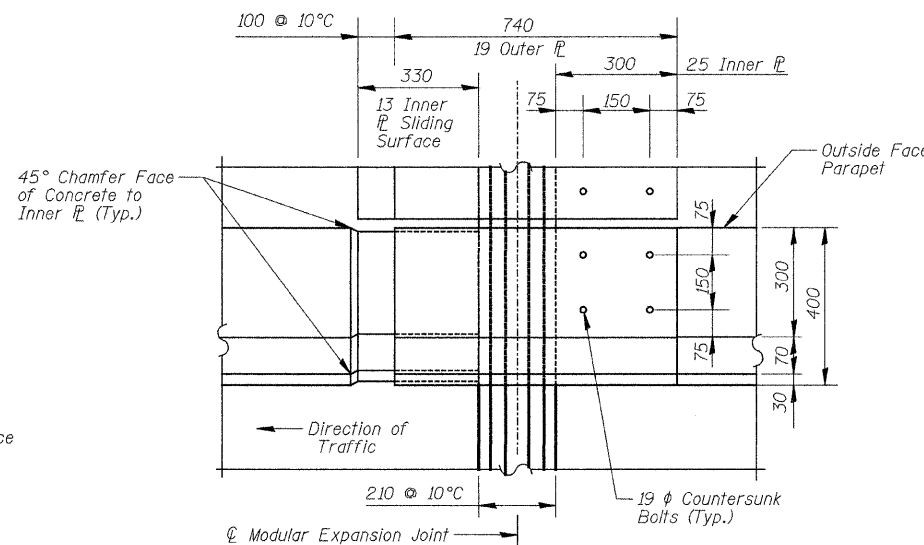


F.A.U. RTE.	SECTION	COUNTY	TOTAL SHEETS	SHEET NO.
3578	15V B-1-R-1	COOK	243	121
STA.		TO STA.		
FED. ROAD DIST. NO.		ILLINOIS	FED. AID PROJECT	
CONTRACT NO. 62388				



PARAPET SLIDING P ASSEMBLY
(Top View)



PARAPET SLIDING P ASSEMBLY AT SIDEWALK
(Top View)

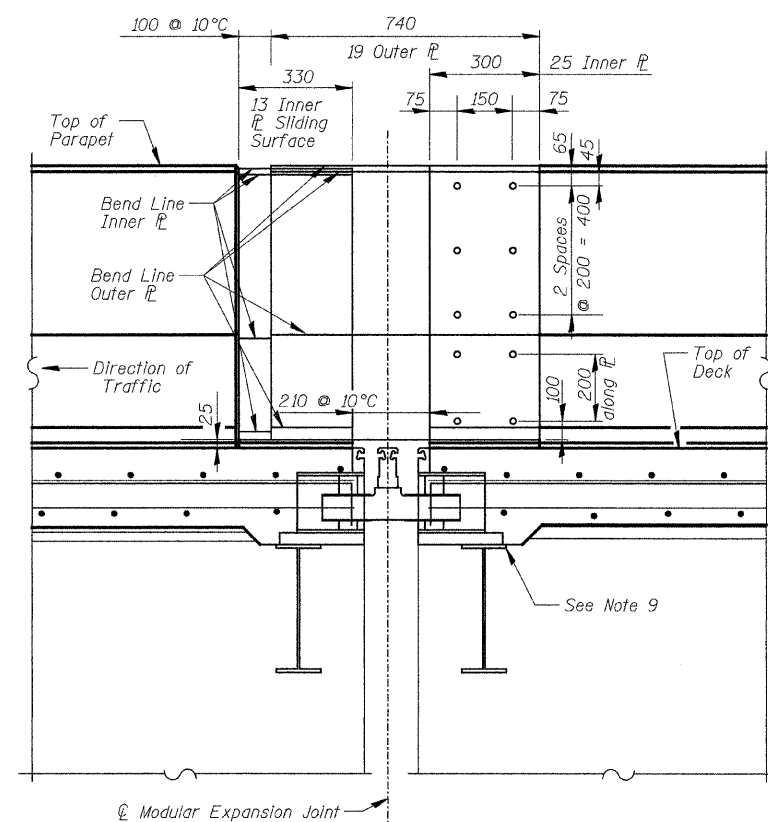
Notes:

1. New Modular Expansion Joints shall be installed to replace the expansion joints at Piers 6 and 11
2. See Special Provisions for a list of Approved Modular Expansion Joints Systems.
3. Joints shall provide a minimum total movement of 150 mm.
4. The Sliding Plate Assemblies shall be galvanized after fabrication according to Article 520.03 of the Standard Specifications.
5. Sliding Plate Assemblies shall be provided for the sidewalk & barrier and the parapet at each Modular Joint location. Cost of furnishing and installing Sliding Plate Assemblies shall be included with Modular Expansion Joint 160 mm. Contractor shall submit shop drawings showing the plate dimensions based on the actual joint system selected.
6. The Contractor shall verify ALL dimensions in the field before fabrication of Modular Joints and Sliding Plate Assemblies.
7. Box Spacing and Stud Spacing shall be per Modular Joint Manufacturer.
8. Modular expansion joints shall be assembled in their final relative position with the ends in place for shop inspection and acceptance.
9. Support box should be rigidly attached to diaphragm by adjustable bracket, stools or shims. Cost is included in the Modular Expansion Joint 160 mm.

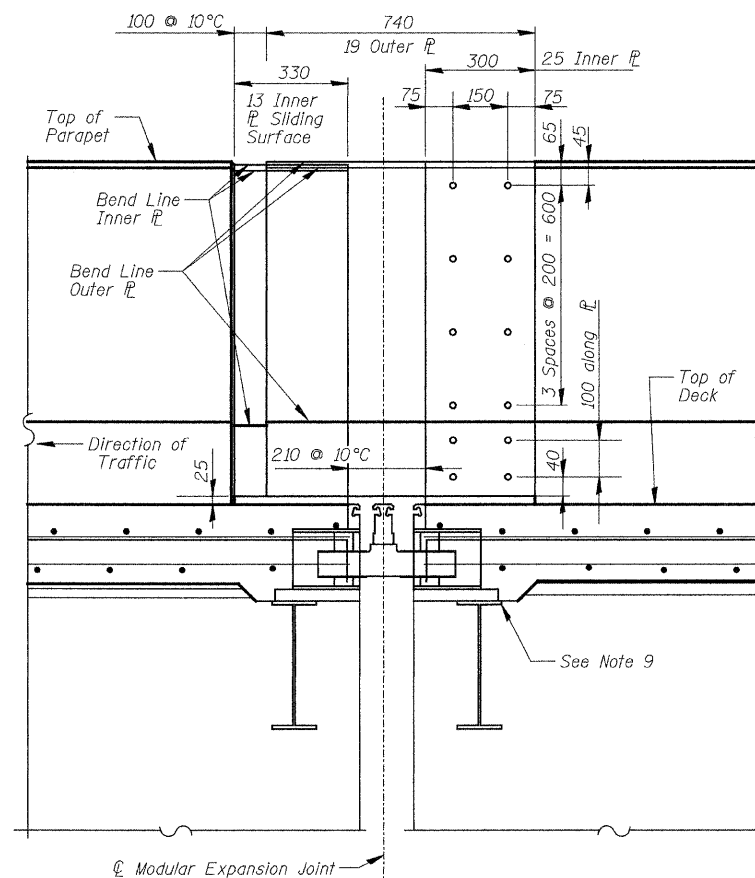
BILL OF MATERIAL

ITEM	UNIT	QTY.
* Modular Expansion Joint 160mm	m	36.6

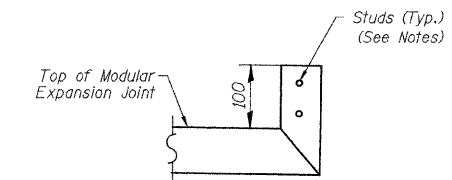
* See Special Provision in Contract



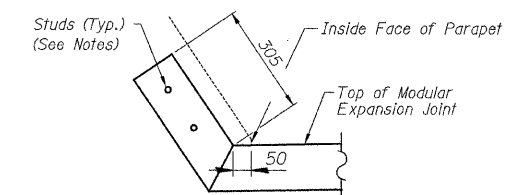
SECTION A-A
(Parapet Sliding P Assembly)



SECTION B-B
(Parapet Sliding P Assembly at Sidewalk)



MODULAR EXPANSION JOINT UPRUN DETAIL AT END OF SLAB



MODULAR EXPANSION JOINT UPRUN DETAIL AT PARAPET

REVISIONS		ILLINOIS DEPARTMENT OF TRANSPORTATION
NAME	DATE	
		MODULAR EXPANSION JOINT II SOUTHWEST HIGHWAY OVER B&O RAILROAD AND STONY CREEK FAU 3578 SECTION 15V B-1-R-1 STRUCTURE NUMBER 016-2771 COOK COUNTY STATION 4+716.497 SCALE: NONE DRAWN BY: R. DiGiulio DATE: 6/17/09 CHECKED BY: A. Durbak

C:\V\DOT\9556.A\ND\Drawings\STRUCT\30A.exp Joint.dgn
 9/24/2009 2:40:13 PM
 avar:gcoultraw.L\isle