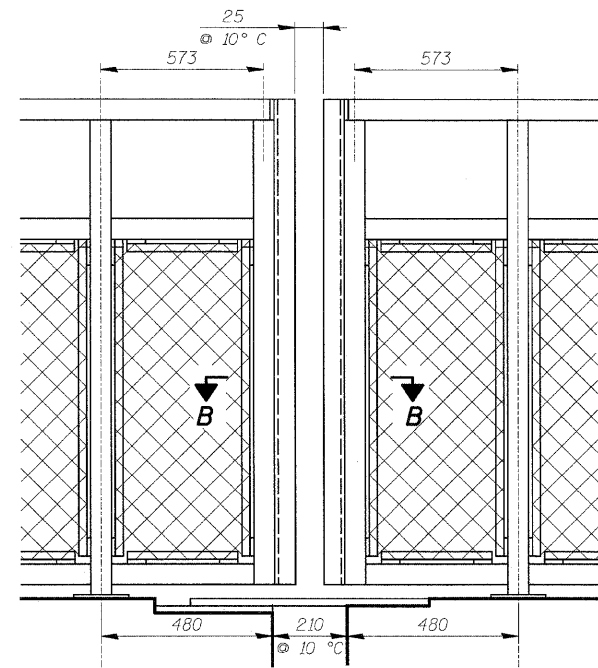
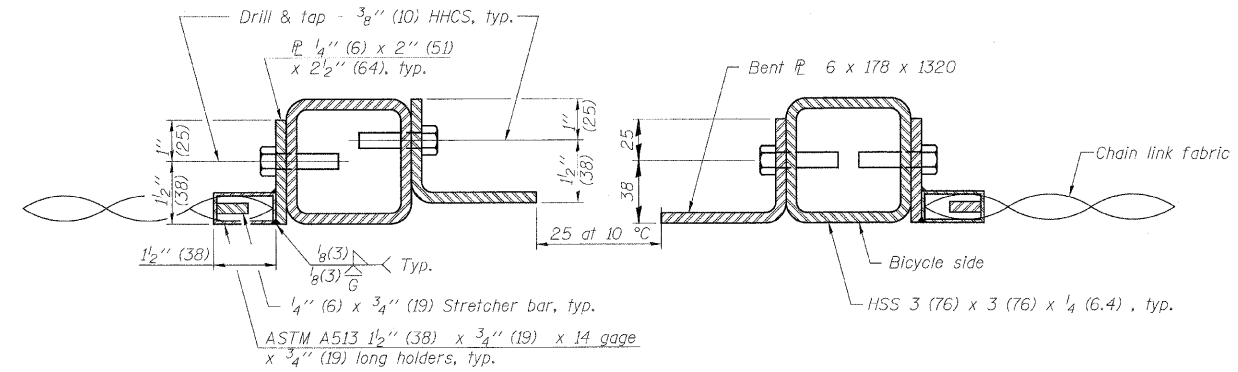


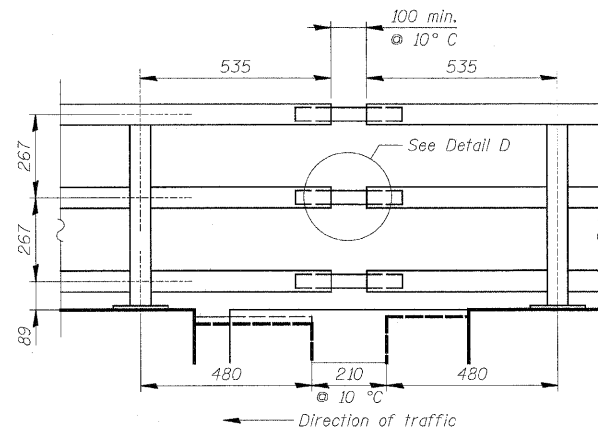
F.A.U. RTE.	SECTION	COUNTY	TOTAL SHEETS	SHEET NO.
3578	15V B-1-R-1	COOK	243	126
STA.		TO STA.		
FED. ROAD DIST. NO.		ILLINOIS FED. AID PROJECT		
CONTRACT NO. 62388				



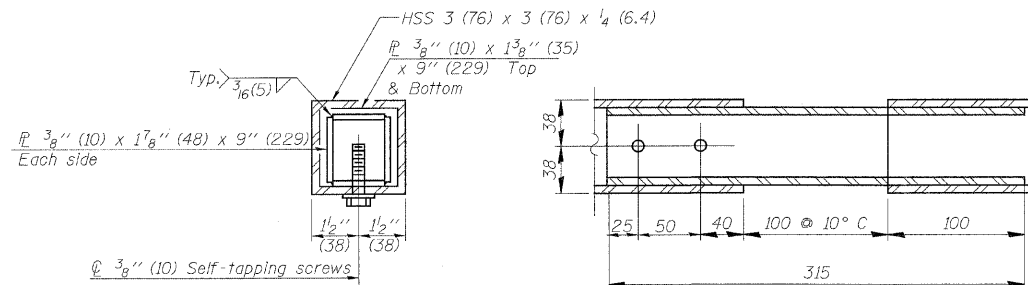
Direction of traffic
**BICYCLE RAILING AT
 MODULAR EXPANSION JOINT**



SECTION B-B



Direction of traffic
**PARAPET RAILING AT
 MODULAR EXPANSION JOINT**



DETAIL D

All dimensions are in millimeters (mm) except as noted.

REVISIONS		ILLINOIS DEPARTMENT OF TRANSPORTATION
NAME	DATE	
		BICYCLE RAILING DETAILS II SOUTHWEST HIGHWAY OVER B&O RAILROAD AND STONY CREEK FAU 3578 SECTION 15V B-1-R-1 STRUCTURE NUMBER 016-2771 COOK COUNTY STATION 4+716.497 SCALE: NONE DRAWN BY: A. Durbak DATE: 6/17/09 CHECKED BY: R. DiGiullo

G:\DDOT\9556.40\Drawings\STRUCT\32A.bicycle_railing_joint_detail.dgn
 H:\cooper\rdwy_lisle\6/26/2009 10:44:09 AM
PATRICK ENGINEERING INC.
 LISLE, ILLINOIS