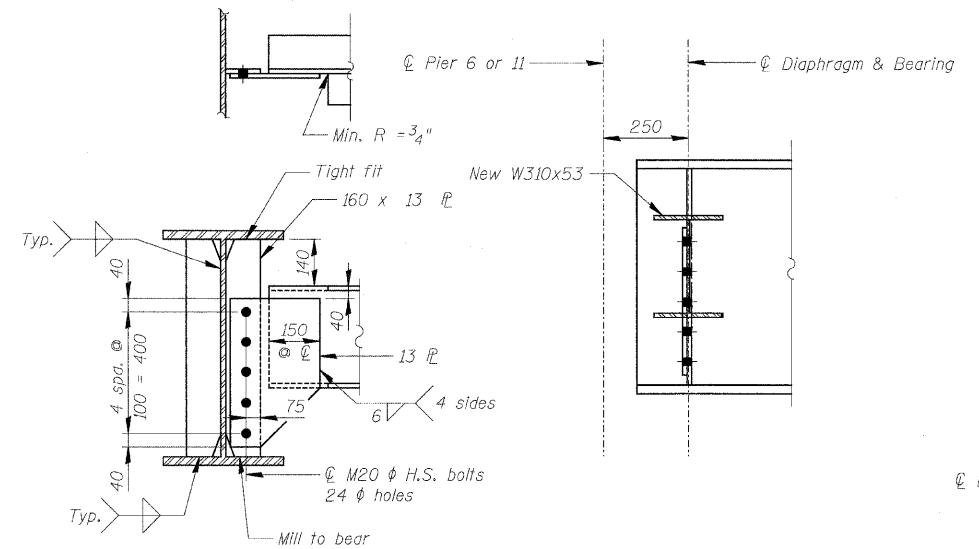
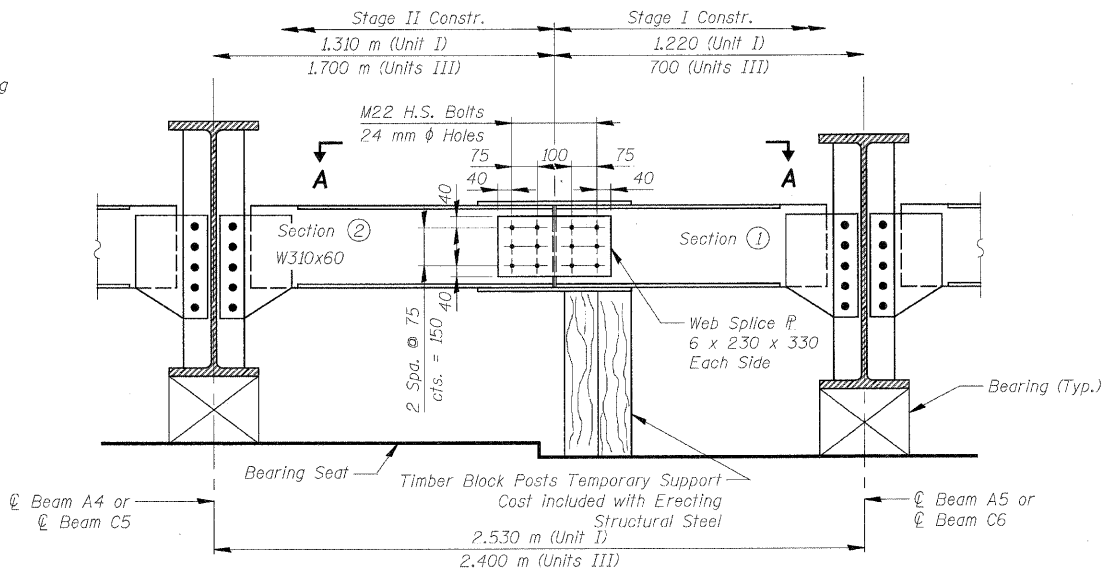


F.A.U. RTE.	SECTION	COUNTY	TOTAL SHEETS	SHEET NO.
3578	15V B-1-R-1	COOK	243	130
STA.		TO STA.		
FED. ROAD DIST. NO.		ILLINOIS FED. AID PROJECT		
CONTRACT NO. 62388				



**END DIAPHRAGMS D1B, D5, D7B, D8 & D9**

- D1A - 5 Required
- D5 - 1 Required
- D7B - 4 Required
- D8 - 2 Required
- D9 - 2 Required



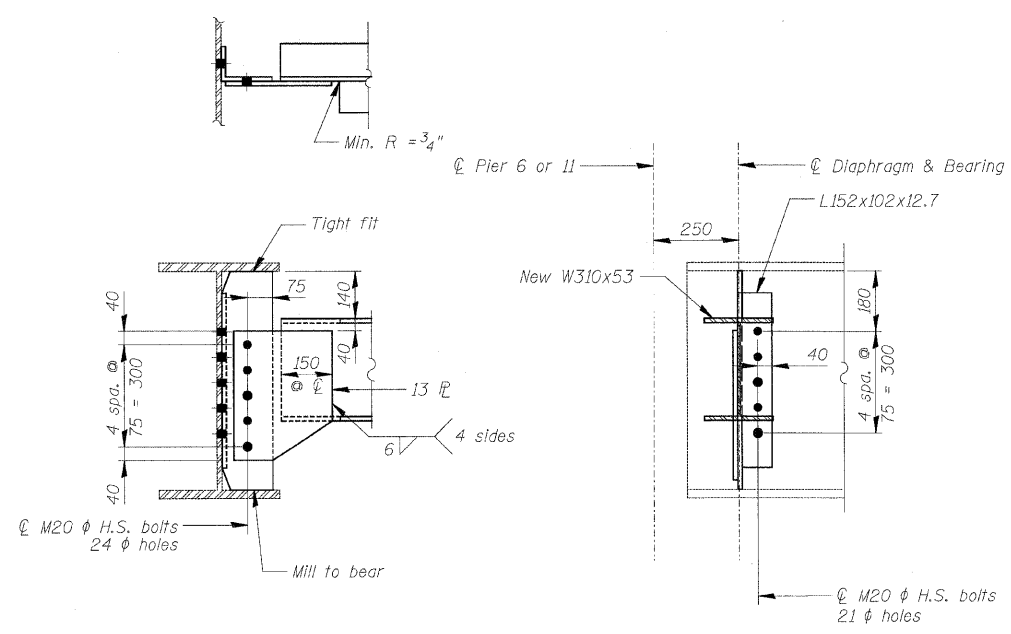
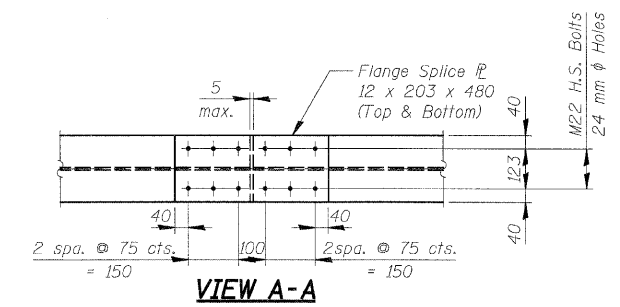
**DIAPHRAGMS D1C & D7C**

- 1 Required (Looking East)
- For details of connections to beams see Diaphragms D1B & D7B

**BILL OF MATERIAL**

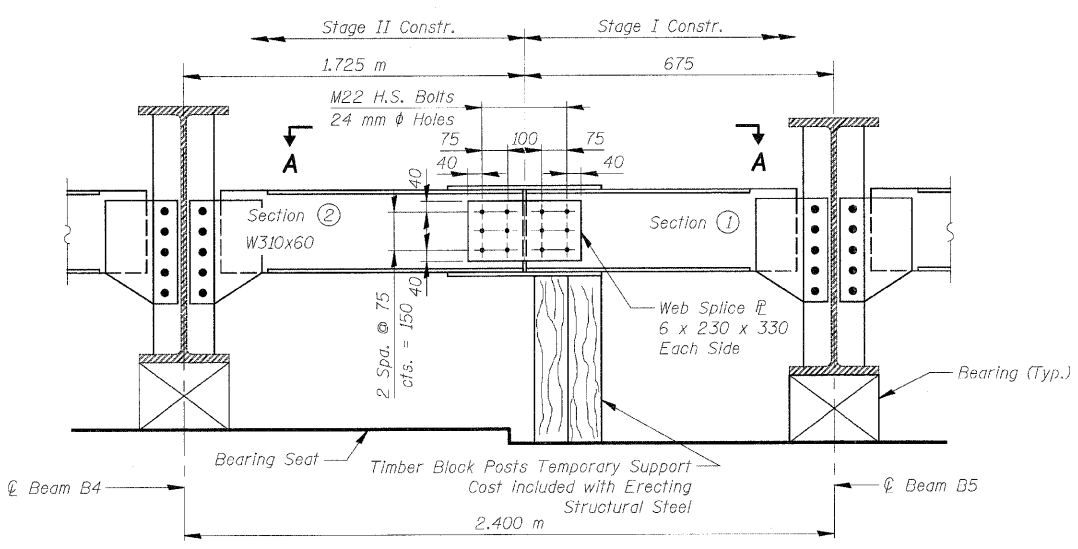
Item	Unit	Total
Erecting Structural Steel	L. Sum	1

Fixed Bearings and Structural Steel are provided in a separate Fabrication Contract. Cost for erecting these items is included in this contract as Erecting Structural Steel.



**END DIAPHRAGMS - UNIT II**

- 12 Required



**DIAPHRAGMS - UNIT II BTW. GIRDERS B4 & B5**

- 2 Required (Looking East)

**NOTES:**

1. All dimensions are in millimeters (mm) except as noted.
2. For mounting new end diaphragms to existing structure, burrs, shavings, loose paint and scale and other non-adherent material in the contract areas shall be removed before field bolting.
3. Two hardened washers required over all oversized holes for diaphragms.
4. All cost associated with the erection of Unit II diaphragms including fielding drilling of holes shall be included in the cost of Erecting Structural Steel.

REVISIONS		ILLINOIS DEPARTMENT OF TRANSPORTATION END DIAPHRAGMS AT MODULAR JNTS. SOUTHWEST HIGHWAY OVER B&O RAILROAD AND STONY CREEK FAU 3578 SECTION 15V B-1-R-1 STRUCTURE NUMBER 016-2771 COOK COUNTY STATION 4+716.497 SCALE: NONE DRAWN BY: E. Mroozek DATE: 6/17/09 CHECKED BY: G. Hatlestad
NAME	DATE	

Q:\DDOT\9556.A0\Drawings\STRUCT\35A-framing\_end\_diaphragms.dgn  
 H:\epd\p\rdwy.L\161e\ 6/26/2009 8:34 AM

