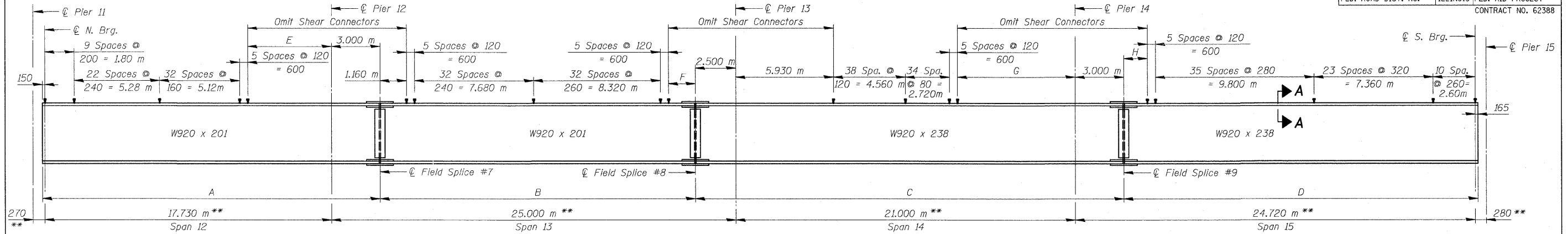


F.A.U. RTE.	SECTION	COUNTY	TOTAL SHEETS	SHEET NO.
3578	15V B-1-R-1	COOK	243	132
STA.		TO STA.		
FED. ROAD DIST. NO.		ILLINOIS	FED. AID PROJECT	
CONTRACT NO. 62388				

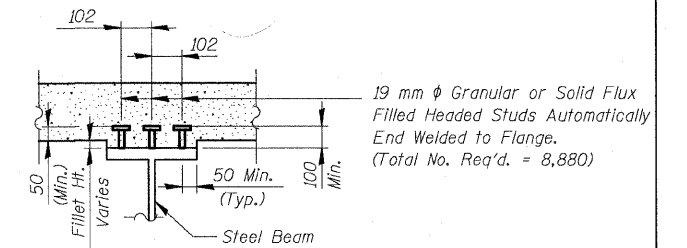


BEAM DIMENSIONS (in meters)

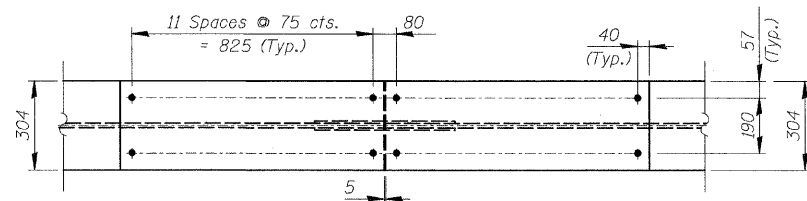
BEAM	A*	B*	C*	D*	E*	F*	G*	H*
C1	20.883	19.503	26.503	21.888	4.933	1.143	7.193	1.363
C2	20.881	19.501	26.501	21.886	4.931	1.141	7.191	1.361
C3 thru C8	20.880	19.500	26.500	21.885	4.930	1.140	7.190	1.360
C9	20.881	19.501	26.501	21.886	4.931	1.141	7.191	1.361
C10	20.902	19.503	26.503	21.888	4.952	1.143	7.193	1.363

* Measured along ϕ Beam

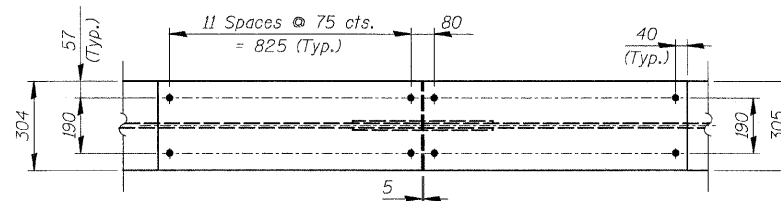
** Measured along ϕ SW Highway



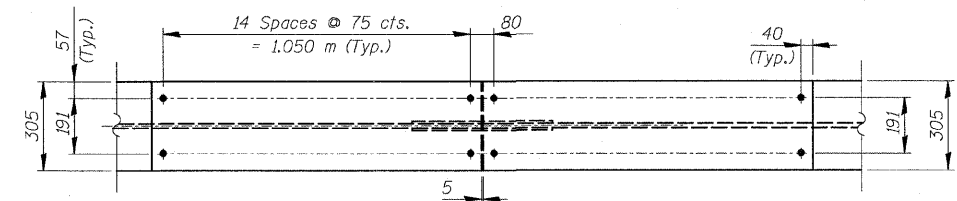
SECTION A-A



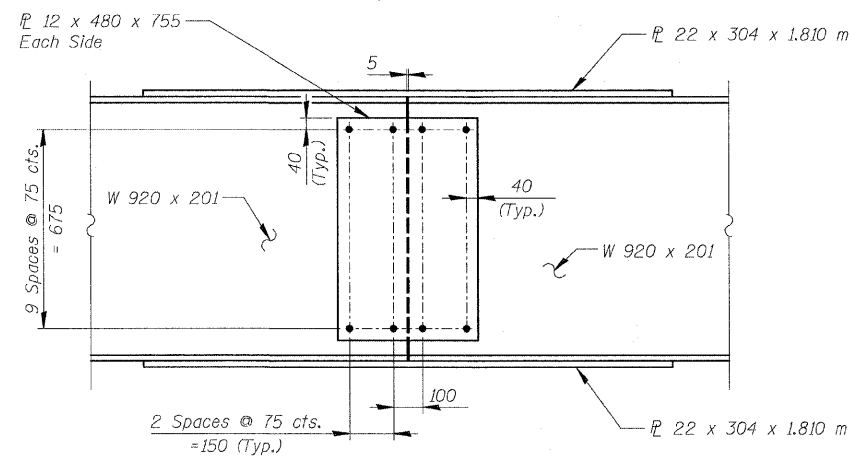
TOP PLAN
(Bottom Splice is Identical)



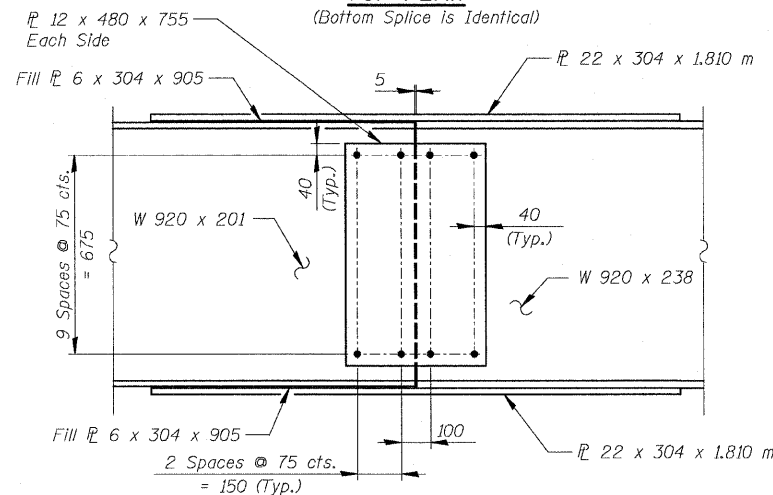
TOP PLAN
(Bottom Splice is Identical)



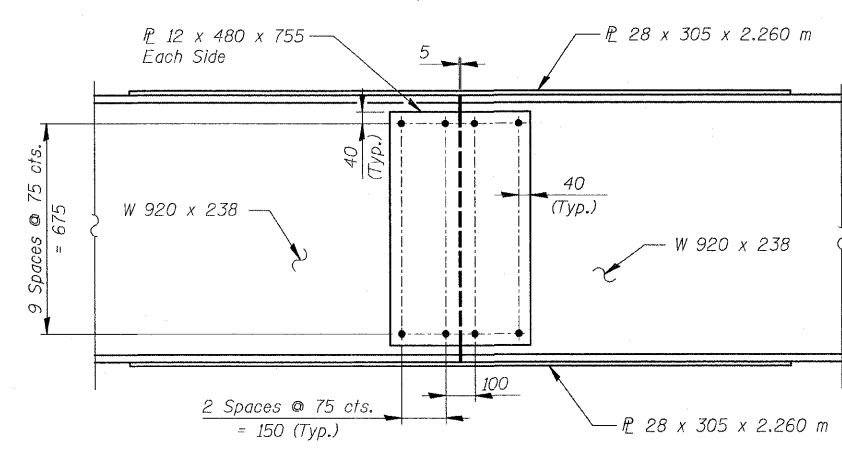
TOP PLAN
(Bottom Splice is Identical)



ELEVATION
FIELD SPLICE #7



ELEVATION
FIELD SPLICE #8



ELEVATION
FIELD SPLICE #9

Fixed Bearings and Structural Steel are provided in a separate Fabrication Contract. Cost for erecting these items is included in this contract as Erecting Structural Steel.

NOTES:

- For Top of Beam Elevations, Table of Moments and Reactions see Sheet SA34.
- All Wide Flange Beams and Splice Plate Material, except Fill Plates, shall be AASHTO M270 M Grade 345 and shall meet Notch Toughness Requirements.
- All dimensions are in millimeters (mm) except as noted.

REVISIONS	
NAME	DATE

ILLINOIS DEPARTMENT OF TRANSPORTATION
BEAM DETAILS - UNIT III
SOUTHWEST HIGHWAY OVER
B&O RAILROAD AND STONY CREEK
 FAU 3578 SECTION 15V B-1-R-1
 COOK COUNTY STRUCTURE NUMBER 016-2771
 STATION 4+716.497
 SCALE: NONE DRAWN BY: M. Tryon
 DATE: 6/17/09 CHECKED BY: G. Halsetad

\$USERS \$DATA \$FILE \$TIME