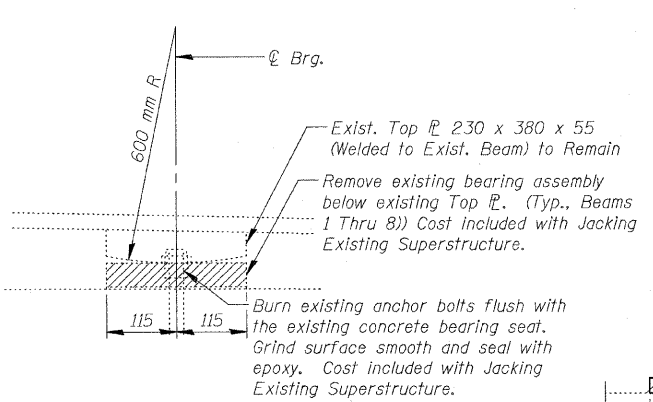
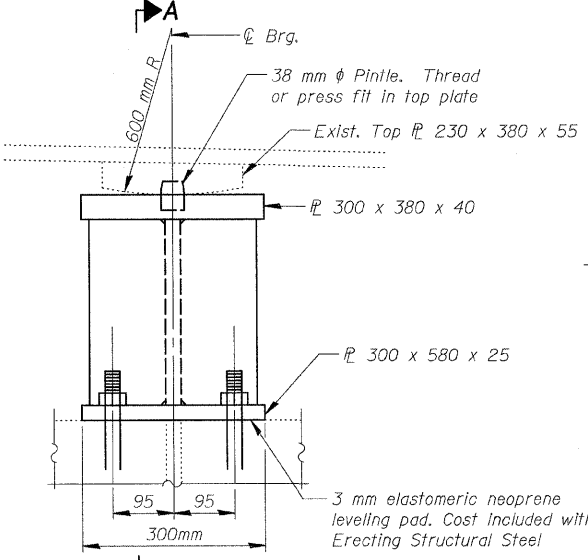


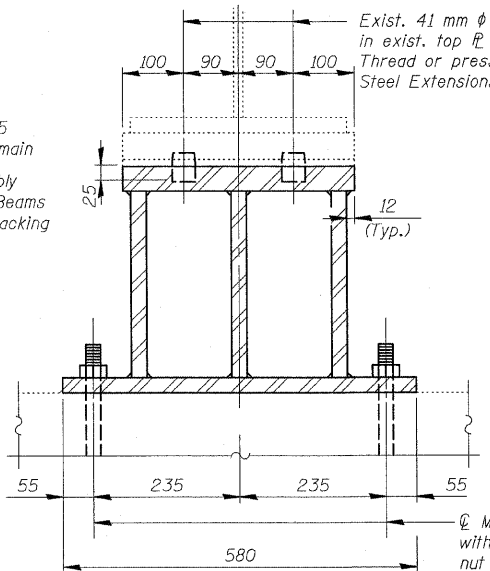
F.A.U. RTE.	SECTION	COUNTY	TOTAL SHEETS	SHEET NO.
3578	15V B-1-R-1	COOK	243	138
STA.	TO STA.			
FED. ROAD DIST. NO.	ILLINOIS	FED. AID PROJECT		
		CONTRACT NO. 62388		



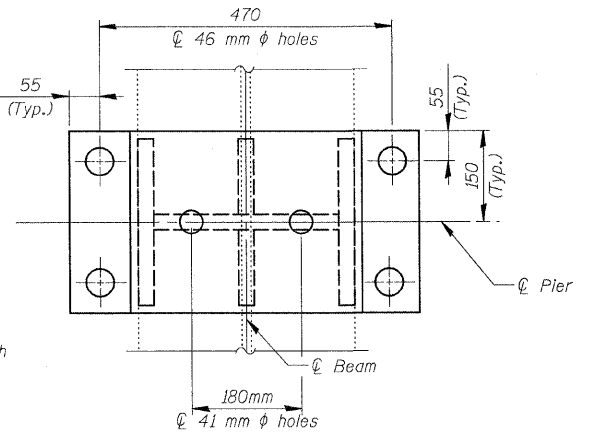
EXISTING FIXED BEARING REMOVAL DETAIL



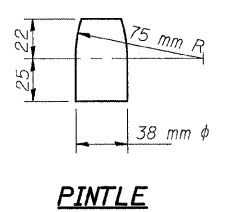
ELEVATION AT PIERS 8 & 9
(Looking North at Pier 9, Pier 8 - opposite hand)



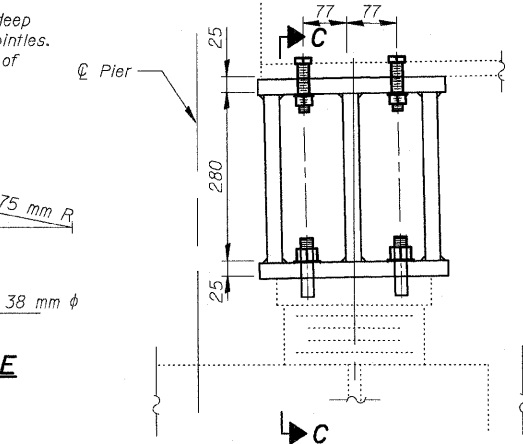
SECTION A-A



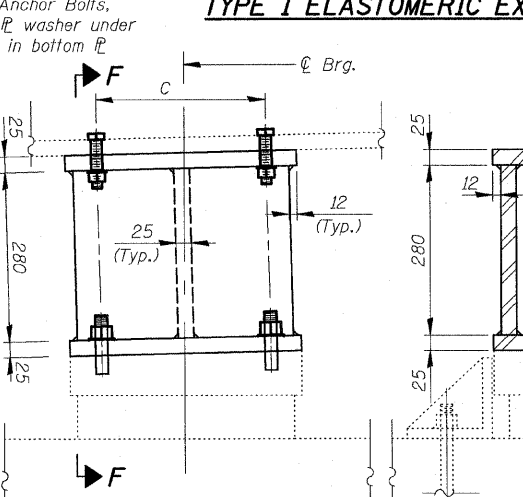
PLAN FIXED STEEL EXTENSION



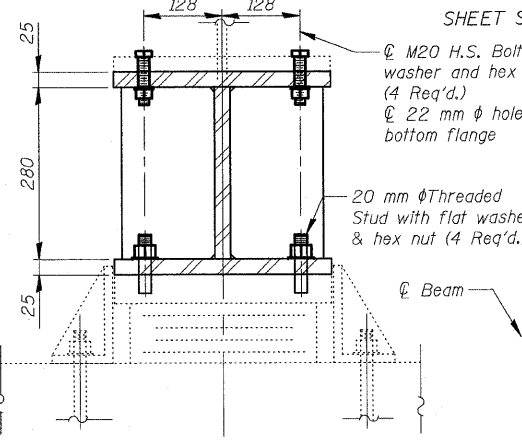
PINTLE



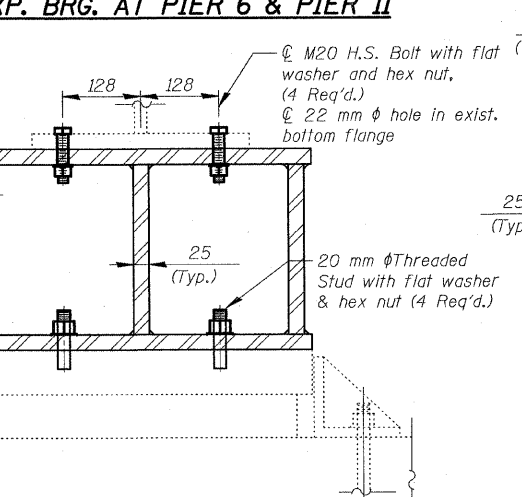
ELEVATION AT PIERS 6 & 11
(Looking North at Pier 6, Pier 11 Opposite Hand)



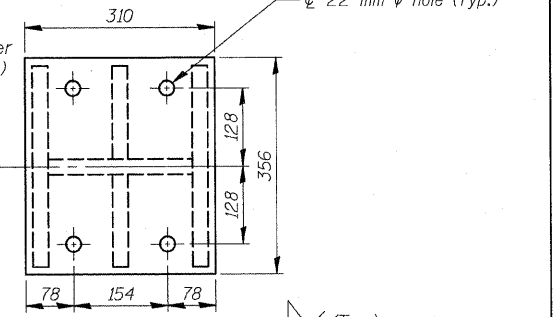
ELEVATION AT PIERS 7 & 10
(Looking North at Pier 7, Pier 10 Opposite Hand)



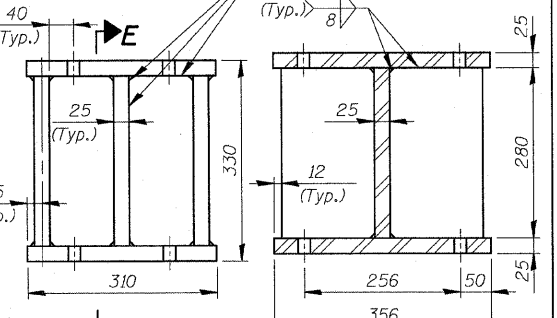
SECTION C-C



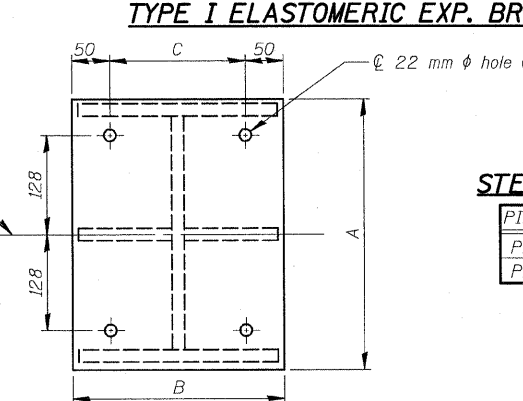
SECTION F-F



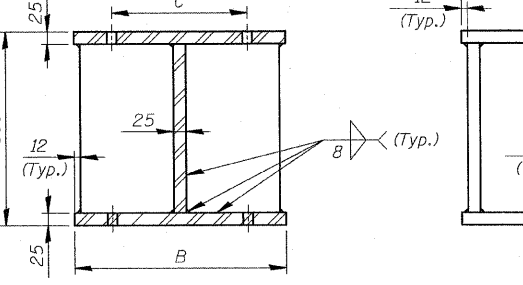
PLAN



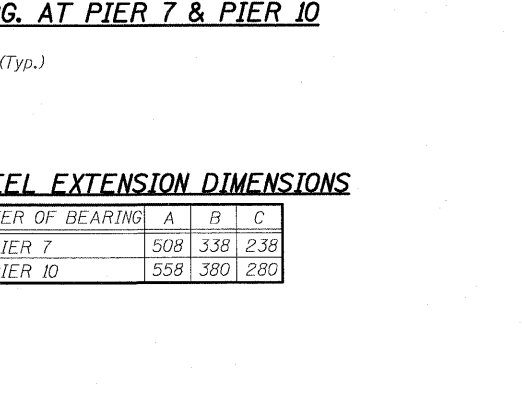
ELEVATION PIER 6 & 11 STEEL EXTENSIONS



PLAN



SECTION D-D



ELEVATION

STEEL EXTENSION DIMENSIONS

PIER OF BEARING	A	B	C
PIER 7	508	338	238
PIER 10	558	380	280

BILL OF MATERIAL

ITEM	UNIT	TOTAL
* Anchor Bolt, M30	Each	64

*See Special Provisions

NOTES

- All dimensions are in millimeters (mm) except as noted.
- See Sheet SA46 for Anchor Bolt Installation.
- Contractor shall verify existing bridge seat elevations, all bearing heights, and proposed bottom of beam elevations prior to fabrication of Steel Extensions.
- Cost of erecting the steel extensions is included in Furnishing and Erecting Structural Steel.

REVISIONS	
NAME	DATE

ILLINOIS DEPARTMENT OF TRANSPORTATION
STEEL EXTENSION DETAILS - UNIT II
 SOUTHWEST HIGHWAY OVER
 B&O RAILROAD AND STONY CREEK
 FAU 3578 SECTION 15V B-1-R-1
 STRUCTURE NUMBER 016-2771
 COOK COUNTY STATION 4+716.497
 SCALE: NONE DRAWN BY: M. Tryon
 DATE: 6/17/09 CHECKED BY: E. Mroozek