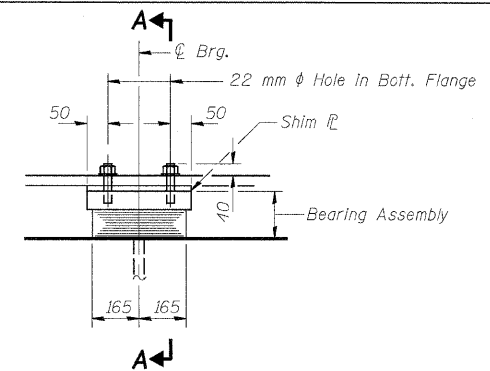
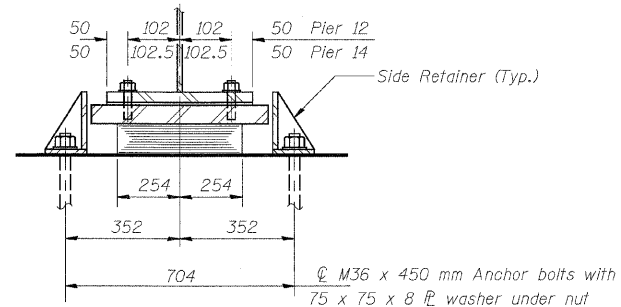


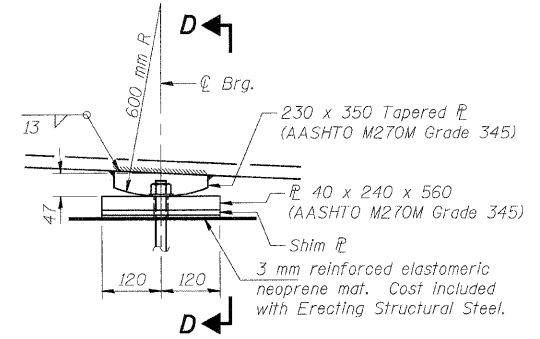
F.A.J. RTE.	SECTION	COUNTY	TOTAL SHEETS	SHEET NO.
3578	15V B-1-R-1	COOK	243	139
STA.		TO STA.		
FED. ROAD DIST. NO.		ILLINOIS FED. AID PROJECT		
CONTRACT NO. 62388				



ELEVATION AT PIERS 12 & 14

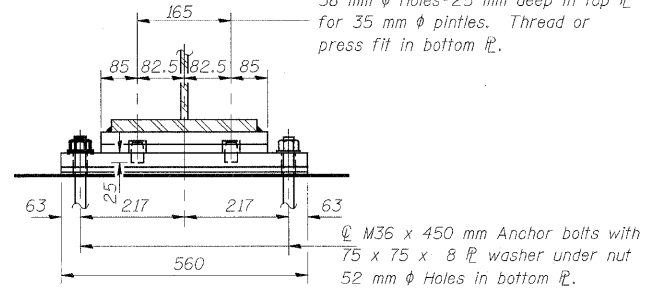


SECTION A-A

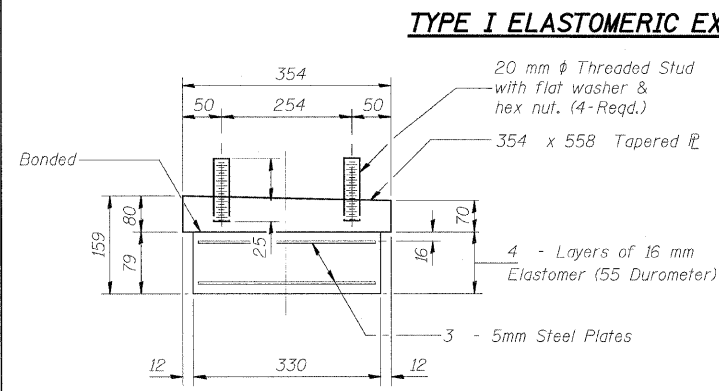


ELEVATION AT PIER 13

*** FIXED BEARING**

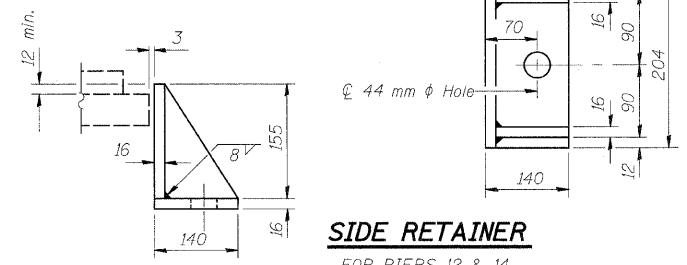


SECTION D-D



BEARING ASSEMBLY

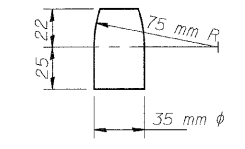
FOR PIERS 12 & 14
Note: Shim plates shall not be placed under Bearing Assembly.



SIDE RETAINER

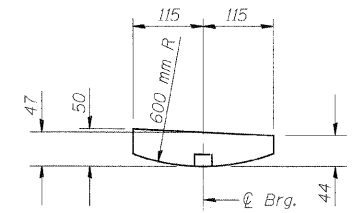
FOR PIERS 12 & 14
Equivalent rolled angle with stiffeners will be allowed in lieu of welded plates.

* Fixed bearings provided in a separate Fabrication Contract. Cost of erecting fixed bearings included in cost of Erecting Structural Steel.

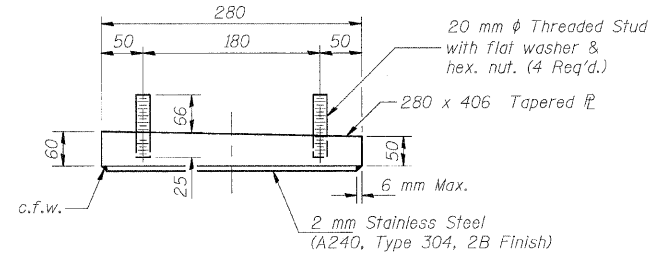


PINTLE

AASHTO M270M Grade 345

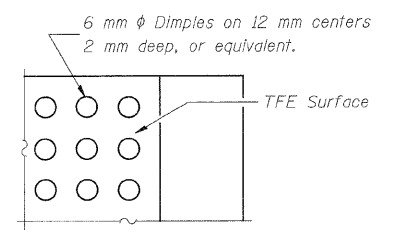


TOP PLATE DETAIL

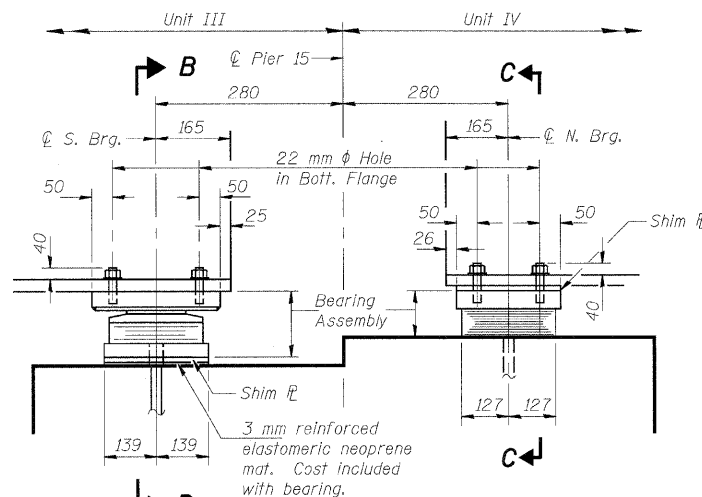


TOP BEARING ASSEMBLY

FOR PIER 15 (UNIT III)



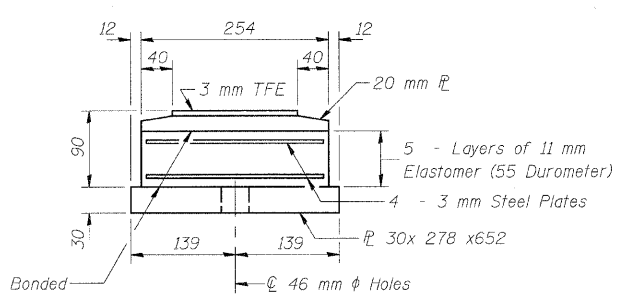
PLAN-TFE SURFACE



ELEVATION AT PIER 15

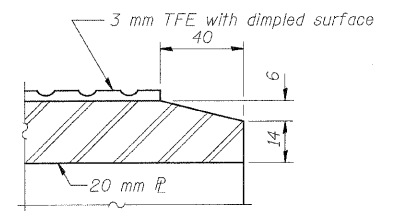
TYPE II ELASTOMERIC EXP. BRG.

TYPE I



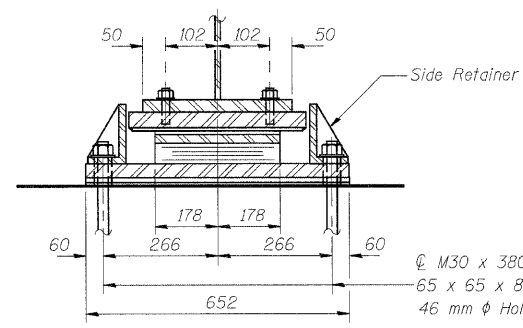
BOTTOM BEARING ASSEMBLY

FOR PIER 15 (UNIT III)

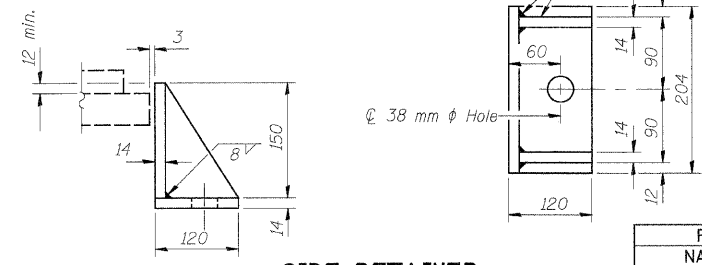


SECTION THRU TFE

FOR PIER 15 (UNIT III)



SECTION B-B



SIDE RETAINER

FOR PIER 15 (UNIT III)
Equivalent rolled angle with stiffeners will be allowed in lieu of welded plates.

BILL OF MATERIAL

Item	Unit	Total
Elastomeric Bearing Assembly Type I	Each	20
Elastomeric Bearing Assembly Type II	Each	10
Anchor Bolts, M30	Each	20
Anchor Bolts, M36	Each	60

NOTES

- Anchor bolts at fixed bearings may be built into the masonry.
- See sheet SA46 for Anchor Bolt installation.
- See sheet SA40 for Setting Anchor Bolts at Expansion Bearing.
- See Sheet SA45 for Section C-C and details of North Bearing (Type I) at Pier 15
- See Sheet SA42 for Pier 11 bearing details.
- All dimensions are in millimeters (mm) except as noted.
- Side retainers and other steel members required for the bearing assembly shall be included in the cost of Elastomeric Bearing Assembly, Type I or II.

REVISIONS	NAME	DATE

ILLINOIS DEPARTMENT OF TRANSPORTATION
BEARING DETAILS - UNIT III
PIERS 12, 13, 14 & 15
SOUTHWEST HIGHWAY OVER
B&O RAILROAD AND STONY CREEK
 FAU 3578 SECTION 15V B-1-R-1
 STRUCTURE NUMBER 016-2771
 COOK COUNTY STATION 4+716.497
 SCALE: NONE DRAWN BY: E. Mroozek
 DATE: 6/17/09 CHECKED BY: G. Hatlestad

H:\open\rdw\lisle\6/26/2009 8:24:44 AM
 Q:\VIBOT\9556.A0\Drawings\STRUCT\44_brgs_Unit III.dgn
PATRICK ENGINEERING INC.
 LISLE, ILLINOIS