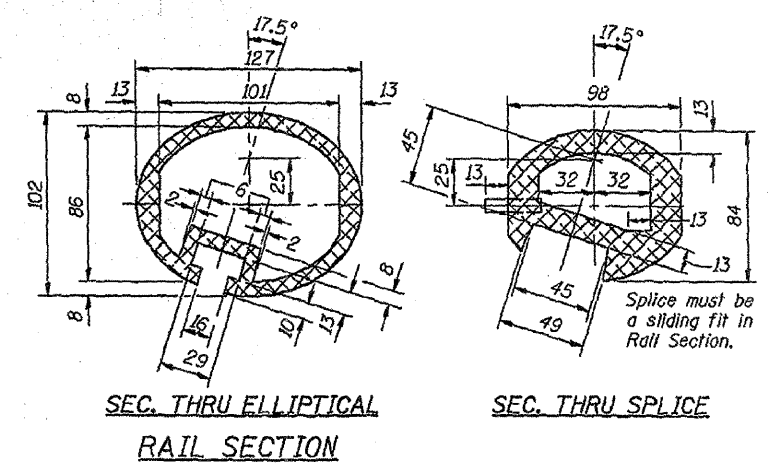
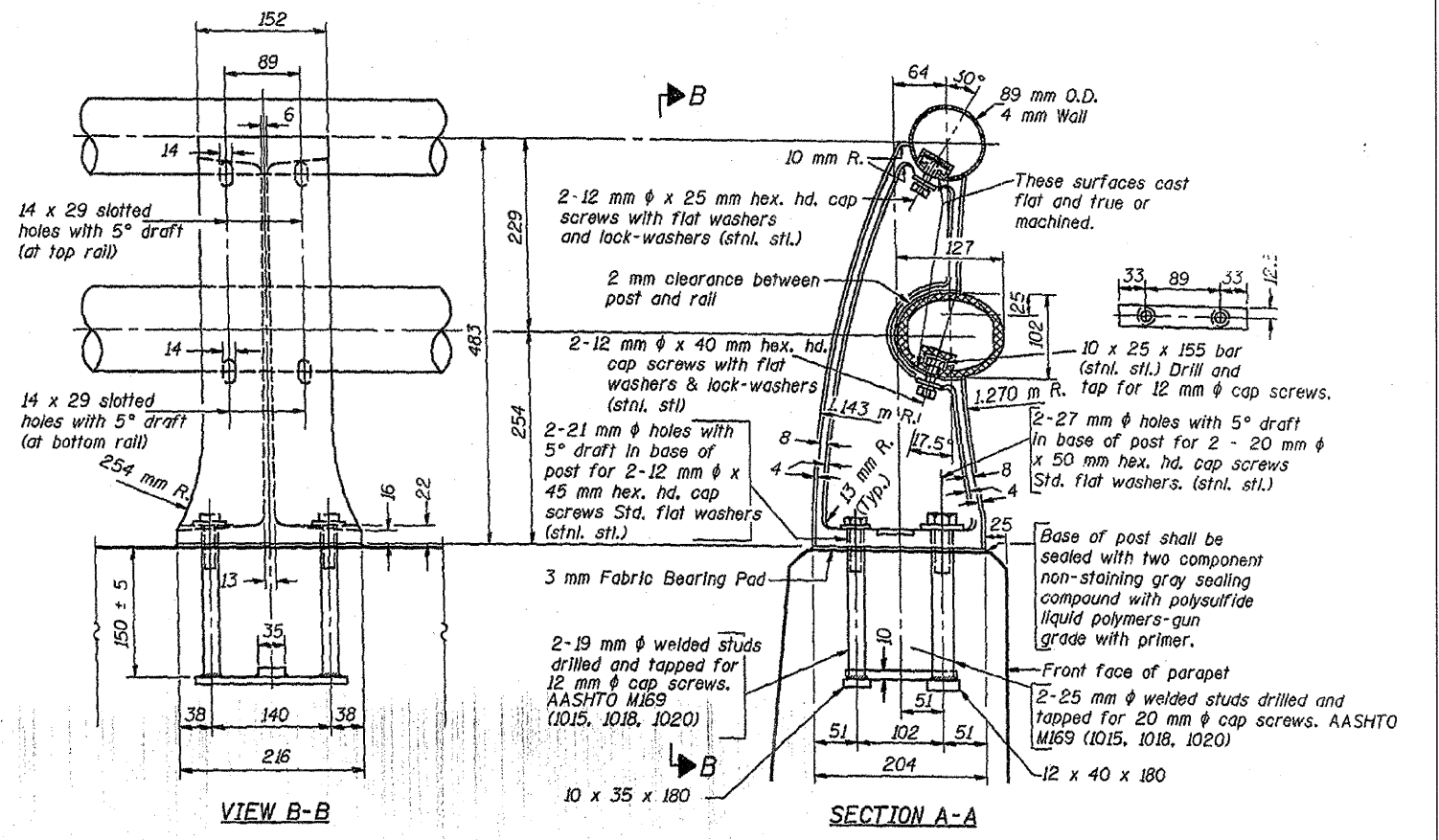
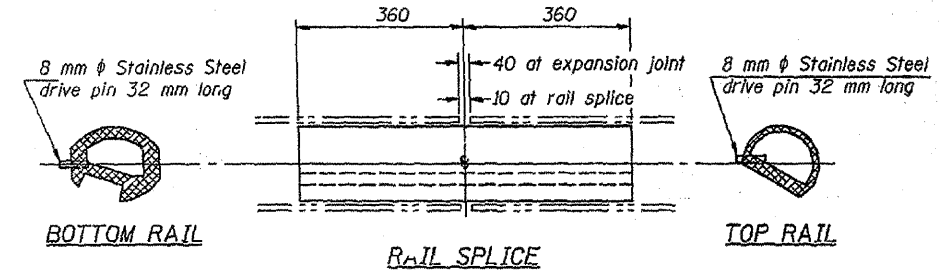
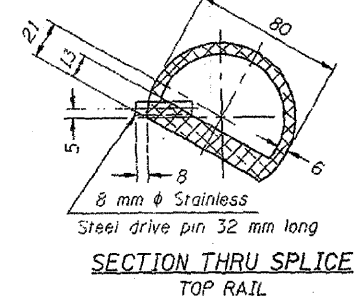
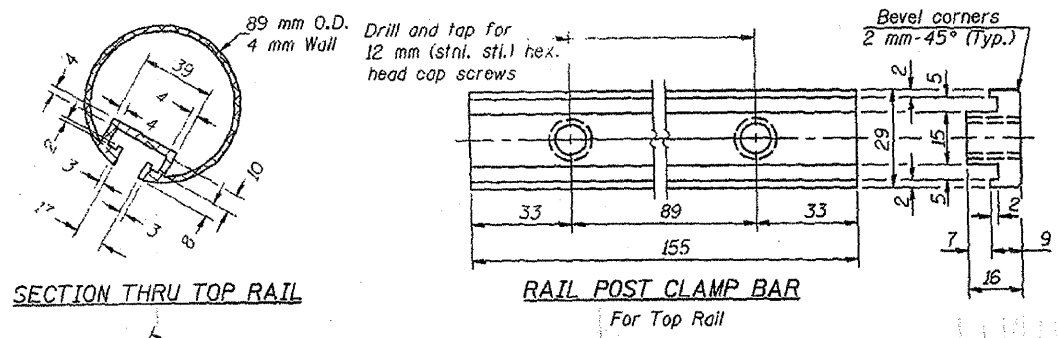


F.A.U. RTE.	SECTION	COUNTY	TOTAL SHEETS	SHEET NO.
3578	15VB-1-R	COOK	243	186
STA. 4+665.229		TO STA. 4+777.600		
FED. ROAD DIST. NO. 7		ILLINOIS FED. AID PROJECT		

Notes: All Posts shall be normal to parapet.
 All Aluminum Alloy Extruded Rail shall be supplied in modular lengths of 9 meters, except at the end of bridge or over open joints in bridge deck where the rail shall be attached to a minimum of 2 posts. If the rail is on a horizontal curve of 700 meter radius or less, the modular lengths may be reduced but shall be attached to a minimum of 2 posts.
 All joints in rail shall be spliced per detail.
 Provide 1-3 mm and 2-1.6 mm Aluminum Shims for 25% of the Posts.
 Rail elements shall be parallel to Grade-high spots will be ground and low spots shimmed.
 Railing shall be according to Section 509 of the Standard Specifications, except as noted, and will be paid for at the contract unit price per meter for ALUMINUM RAILING, TYPE L.
 Aluminum alloy rail shall conform to ASTM B 221M alloy 6061-T6 or 6351-T5 with min. yield stress 240 MPa, min. tensile strength 260 MPa, and elongation of 10% in 50 mm.
 All dimensions are in millimeters (mm) except as noted.



BILL OF MATERIAL

Item	Unit	Quantity
Aluminum Railing, Type L	m	113

ILLINOIS DEPARTMENT OF TRANSPORTATION

TYPE L, ALUMINUM RAILING

SOUTHWEST HIGHWAY OVER
 B. & O.C.T. RAILROAD AND MELVINA DITCH
 F.A.U. ROUTE 3578 SEC. 15VB-1-R
 COOK COUNTY STATION 4+716.471
 STRUCTURE NO. 016-0463

SCALE: DATE: 6/17/09
 DRAWN BY: F. MUNIR
 CHECKED BY: B. SHAH

CHRISTIAN - ROGE & ASSOC.
 CHICAGO ILLINOIS

REVISIONS	
NAME	DATE

FOR INFORMATION ONLY