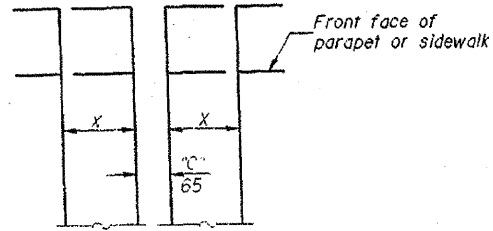


Joint Size	"C" at 10 °C	"D" at 10 °C
65	65	45 Min.

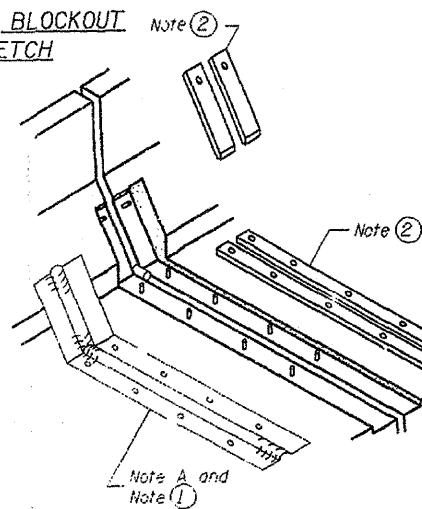
**INSTALLATION NOTES**

- 1. Install continuous seal in roadway, parapet and sidewalk.
- 2. Install anchor blocks as indicated.

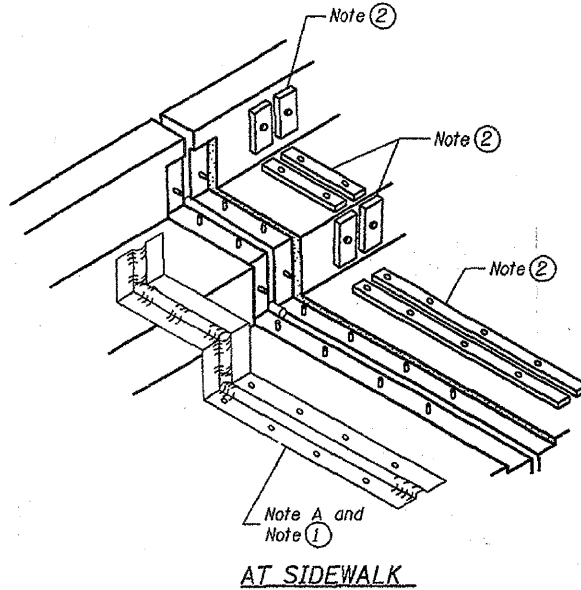
NOTE A:  
Maximum spacing of anchor bolts shall be 300 centers.



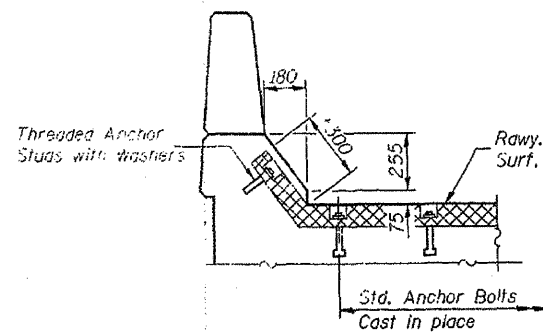
FORMING BLOCKOUT SKETCH



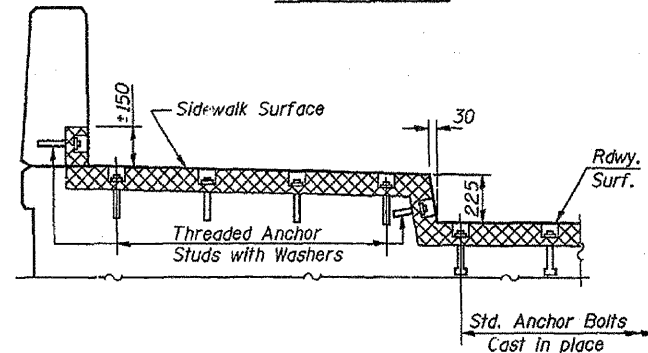
AT PARAPET



AT SIDEWALK



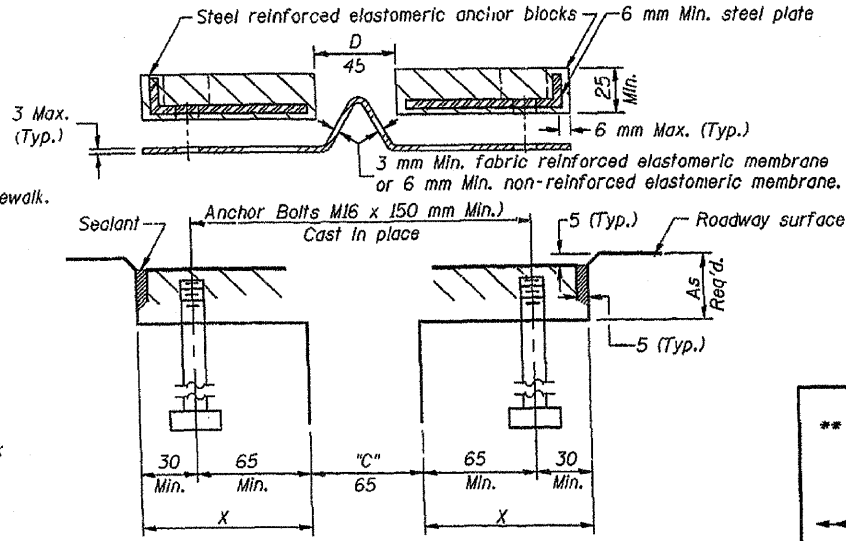
AT PARAPET



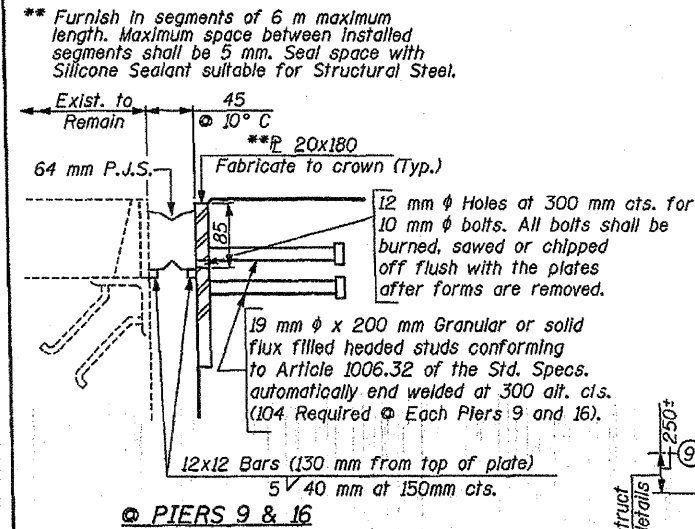
AT SIDEWALK

**TYPICAL END TREATMENTS**

**CONTINUOUS SEAL TYPE NEOPRENE EXPANSION JOINTS FOR 65 MOVEMENT**  
PIERS 10 & 15



CROSS SECTION  
PIERS 10 & 15



PIERS 9 & 16

**BILL OF MATERIAL**

ITEM	UNIT	TOTAL
Neoprene Expansion Joint (65 mm)	m	36.8 m

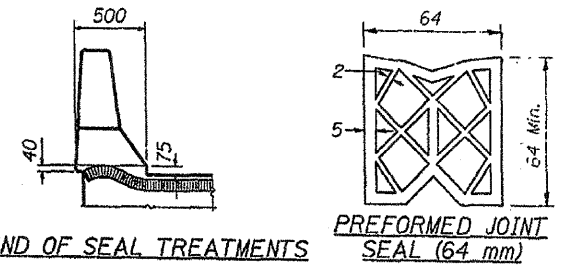
**GENERAL NOTES**

Continuous Seal Neoprene Expansion Joint shall consist of molded anchor blocks of elastomer and steel, field assembled over continuous lengths of elastomeric membrane.  
The Elastomeric Membrane shall be premolded with a single or a double upward convolution that will have a "memory" to return to its molded position upon joint closure.  
The convolution length shall be such that the extended length will not be greater than the manufactured length when the joint is fully expanded in its design range and will not protrude above the anchor blocks when the joint is fully compressed.  
Joint openings shall be adjusted according to article 503.10(c) of the Standard Specifications when the deck is poured at an ambient temperature other than 10°C.  
The parapet and roadway membrane shall be made continuous by an approved vulcanizing process. Lapping will not be permitted.  
All dimensions are in millimeters (mm) except as noted.

\*\* Furnish in segments of 6 m maximum length. Maximum space between installed segments shall be 5 mm. Seal space with Silicone Sealant suitable for Structural Steel.

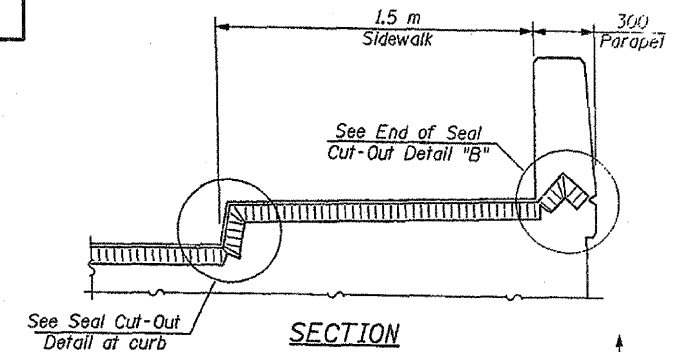
SHEET S13 OF S32

F.A.U. RTE.	SECTION	COUNTY	TOTAL SHEETS NO.	SHEET NO.
3578	15VB-1-R	COOK	243	187
STA. 4+665.229 TO STA. 4+777.600				
FED. ROAD DIST. NO. 7		ILLINOIS FED. AID PROJECT		

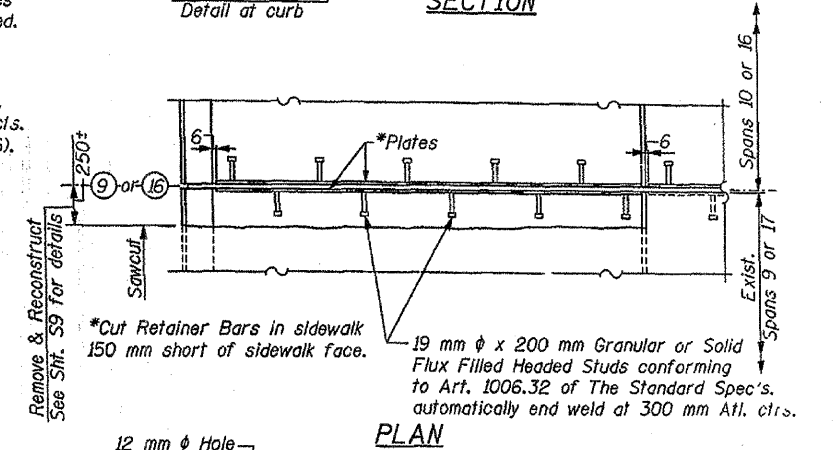


END OF SEAL TREATMENTS

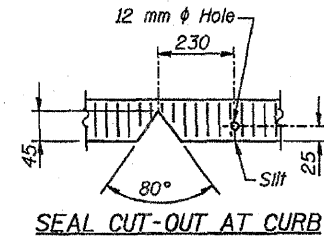
PREFORMED JOINT SEAL (64 mm)



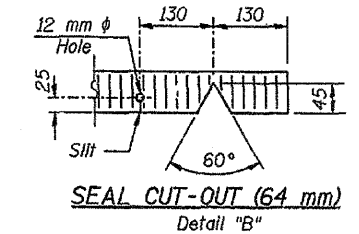
SECTION



PLAN



SEAL CUT-OUT AT CURB



SEAL CUT-OUT (64 mm) Detail "B"

**SEAL TREATMENT AT SIDEWALK**

**NOTES:**

After fabrication all surfaces of the Steel Plates shall be given one shop coat of paint specified for Structural Steel. No field painting required.

All dimensions are in millimeters (mm) except as noted.

**PREFORMED JOINT SEAL 64 mm**  
PIERS 9 & 16

**BILL OF MATERIAL**

ITEM	UNIT	TOTAL
Preformed Joint Seal (64 mm)	m	31.8 m

REVISIONS	
NAME	DATE

ILLINOIS DEPARTMENT OF TRANSPORTATION

EXPANSION DEVICES

SOUTHWEST HIGHWAY OVER  
B. & O.C.T. RAILROAD AND MELVINA DITCH  
F.A.U. ROUTE 3578 SEC. 15VB-1-R  
COOK COUNTY STATION 4+716.471  
STRUCTURE NO. 016-0463

SCALE: DATE: 6/17/09  
DRAWN BY: F. MUNIR  
CHECKED BY: B. SHAH

CHRISTIAN - ROGE & ASSOC.  
CHICAGO ILLINOIS