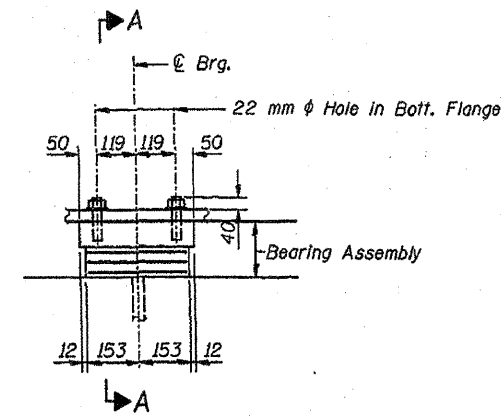
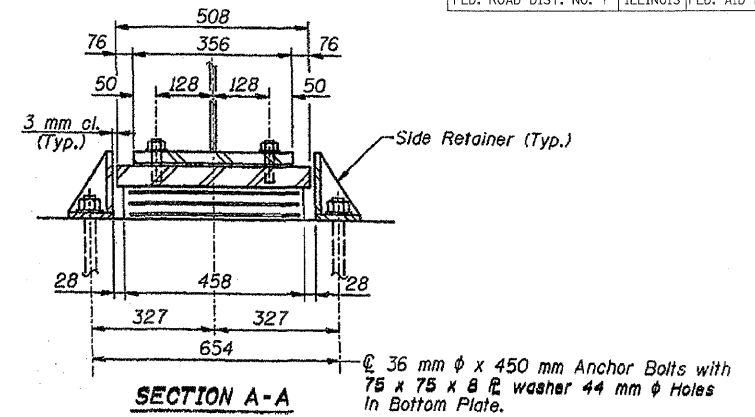


F.A. RTE.	SECTION	COUNTY	TOTAL SHEETS	SHEET NO.
3578	15VB-1-R	COOK	243	191
STA. 4+665.229		TO STA. 4+777.600		
FED. ROAD DIST. NO. 7		ILLINOIS FED. AID PROJECT		

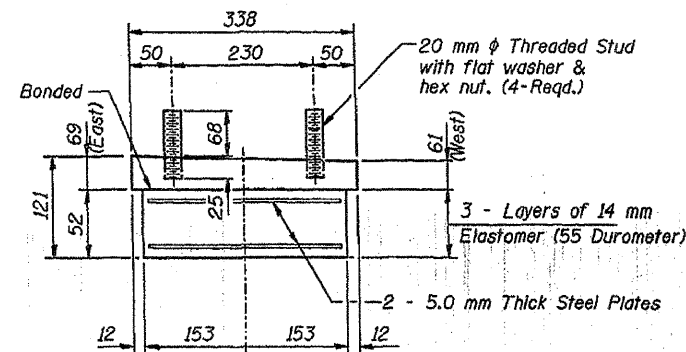


ELEVATION AT PIER 11



SECTION A-A

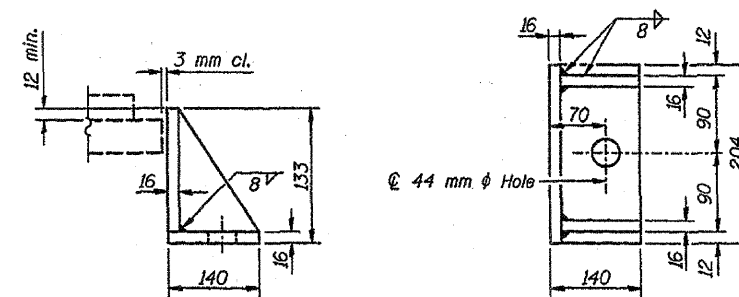
TYPE I ELASTOMERIC EXP. BRG. AT PIER 11



BEARING ASSEMBLY

Note: Shim plates shall not be placed under Bearing Assembly.

NOTES:
 Bearing Plates to be AASHTO M 270M Grade 345.
 See Sht. S19 for Anchor Bolt installation.
 All dimensions are in millimeters (mm) except as noted.



SIDE RETAINER

Equivalent rolled angle with stiffeners will be allowed in lieu of welded plates. Mass included with "Furnishing & Erecting Structural Steel"

BILL OF MATERIAL

Item	Unit	Total
Elastomeric Bearing Assembly Type I	Each	8

REVISIONS	
NAME	DATE

ILLINOIS DEPARTMENT OF TRANSPORTATION
 BEARING DETAIL-PIER 11
 SOUTHWEST HIGHWAY OVER
 B. & O.C.T. RAILROAD AND MELVINA DITCH
 F.A.U. ROUTE 3578 SEC. 15VB-1-R
 COOK COUNTY STATION 4+716.471
 STRUCTURE NO. 016-0463
 SCALE: DATE: 6/17/09 DRAWN BY: F. MUNIR
 CHECKED BY: B. SHAH
 CHRISTIAN - ROGE & ASSOC.
 CHICAGO ILLINOIS

FOR INFORMATION ONLY