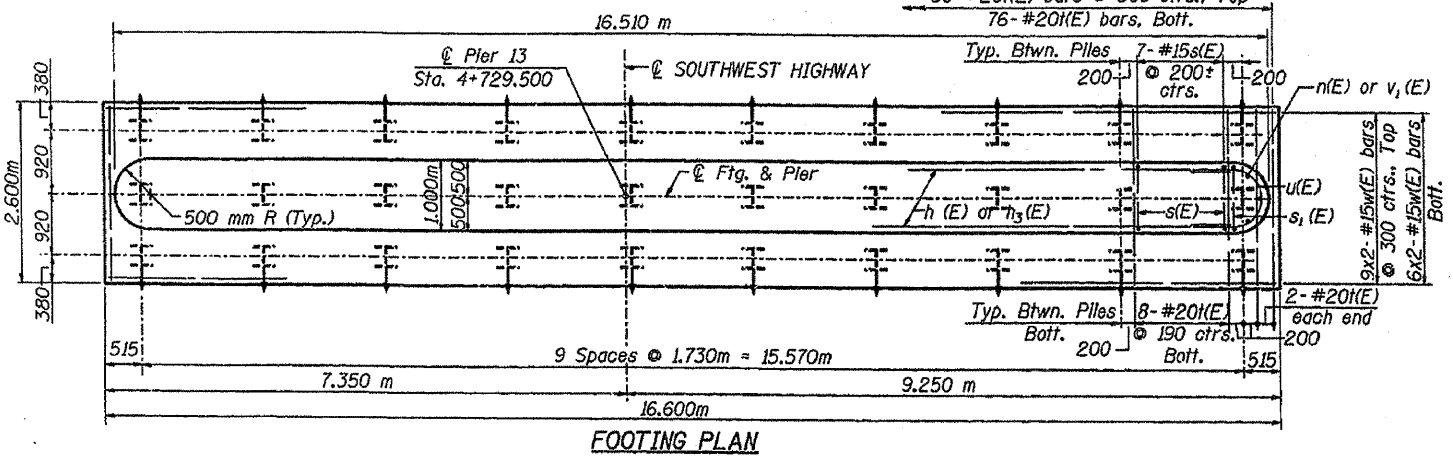
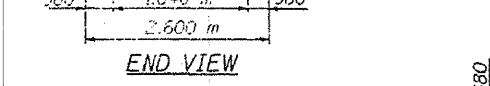
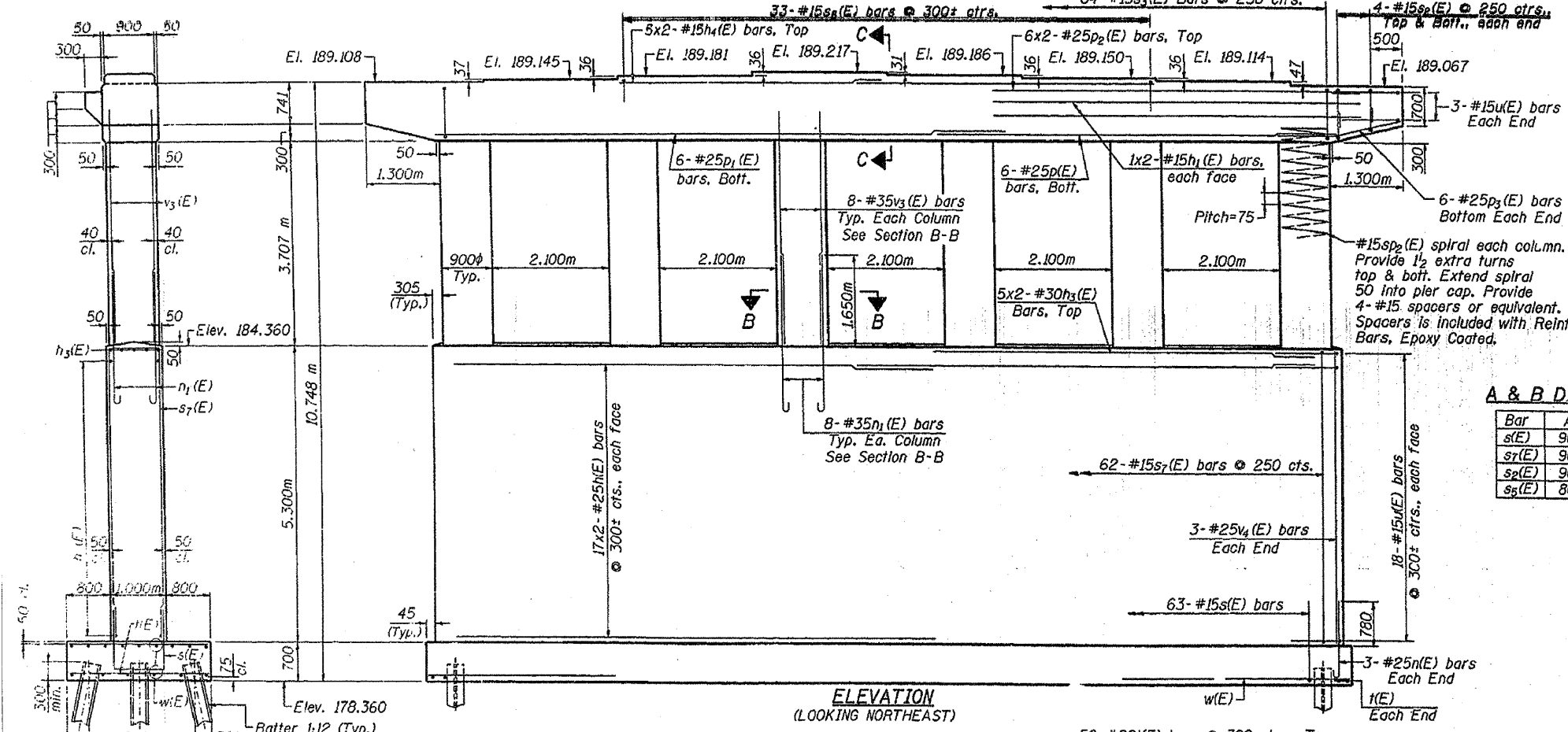
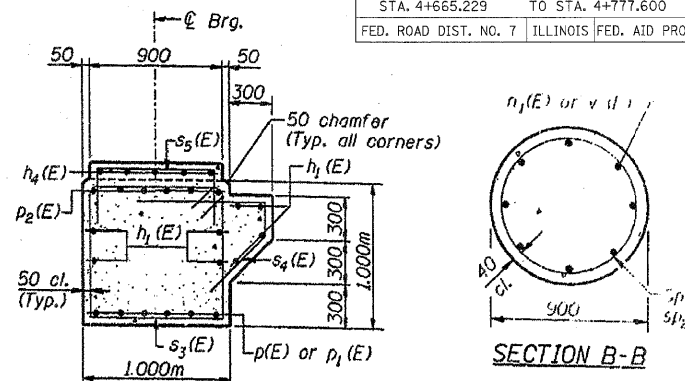
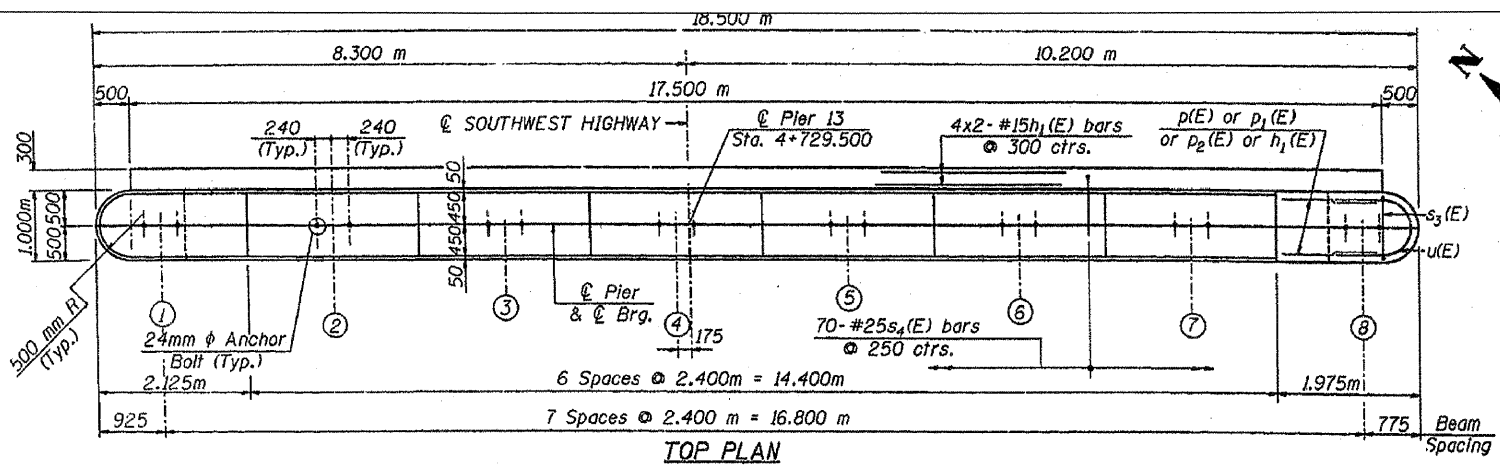


F.A. RTE.	SECTION	COUNTY	TOTAL SHEETS NO.
3578	15VB-1-R	COOK	243 197
STA. 4+665.229		TO STA. 4+777.600	
FED. ROAD DIST. NO. 7 ILLINOIS FED. AID PROJECT			

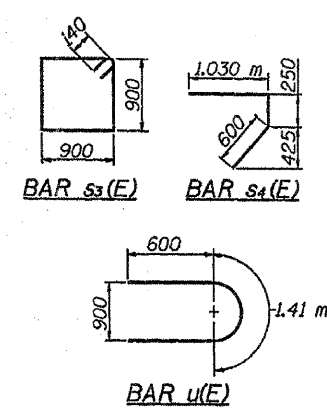
NOTES:
 Provide Reinforcement in cap to miss anchor bolts.
 All edges shall have standard 20 mm chamfer except as noted.
 Four steps monolithically with cap.
 Min. Spiral lap = 1 1/2 turns.
 Bars indicated thus 6x2-#25 etc. indicates 6 Lines of bars with 2 lengths per line.



PILE DATA
 Type: Steel Friction Piles HP 310x79
 Capacity: 600 Kn capacity driven to 900 Kn bearing
 Est. Length: 6.500 m
 No. Required: 29+1 Test Pile in a permanent location

A & B DIMENSIONS

Bar	A	B
s1(E)	900	1.41
s7(E)	900	5.22
s2(E)	900	770
s5(E)	800	450



BILL OF MATERIAL

Bar	No.	Size	Length (m)	Shape
h(E)	68	#25	8.47	—
h1(E)	16	#15	9.12	—
h3(E)	10	#30	8.68	—
h4(E)	10	#15	5.07	—
n(E)	6	#25	1.69	U
n1(E)	48	#35	2.71	U
p(E)	6	#25	7.16	—
p1(E)	6	#25	10.16	—
p2(E)	12	#25	9.46	—
p3(E)	12	#25	2.56	—
s(E)	62	#15	3.72	□
s7(E)	62	#15	11.34	□
s2(E)	16	#15	2.44	□
s3(E)	63	#15	3.88	□
s4(E)	70	#25	1.88	7
s5(E)	33	#15	1.70	□
sp2(E)	6	#15	3.71	W
u(E)	42	#15	2.61	U
v4(E)	6	#25	5.20	—
v3(E)	48	#35	4.39	—
w(E)	30	#15	8.57	—
Furnishing Steel Piles HP 310x79			m	188.5
Test Piles Steel HP 310x79			Each	1
Concrete Structure			m ³	123.3
Reinforcement Bars, Epoxy Coated			Kg	12,990
Structure Excavation			m ³	223

MIN. BAR LAPS

#15 Bars=640
 #25 Bars=1320
 #30 Bars=1850

Reinforcement Bars designated (E) shall be epoxy coated.
 All dimensions are in millimeters (mm) except as noted.

REVISIONS	
NAME	DATE

ILLINOIS DEPARTMENT OF TRANSPORTATION
PIER 13 DETAILS
 SOUTHWEST HIGHWAY OVER
 B. & O.C.T. RAILROAD AND MELVINA DITCH
 F.A.U. ROUTE 3578 SEC. 15VB-1-R
 COOK COUNTY STATION 4+716.471
 STRUCTURE NO. 016-0463
 SCALE: DRAWN BY: F. MUNIR
 DATE: 6/11/09 CHECKED BY: B. SHAH
CHRISTIAN - ROGE & ASSOC.
 CHICAGO ILLINOIS

FOR INFORMATION ONLY