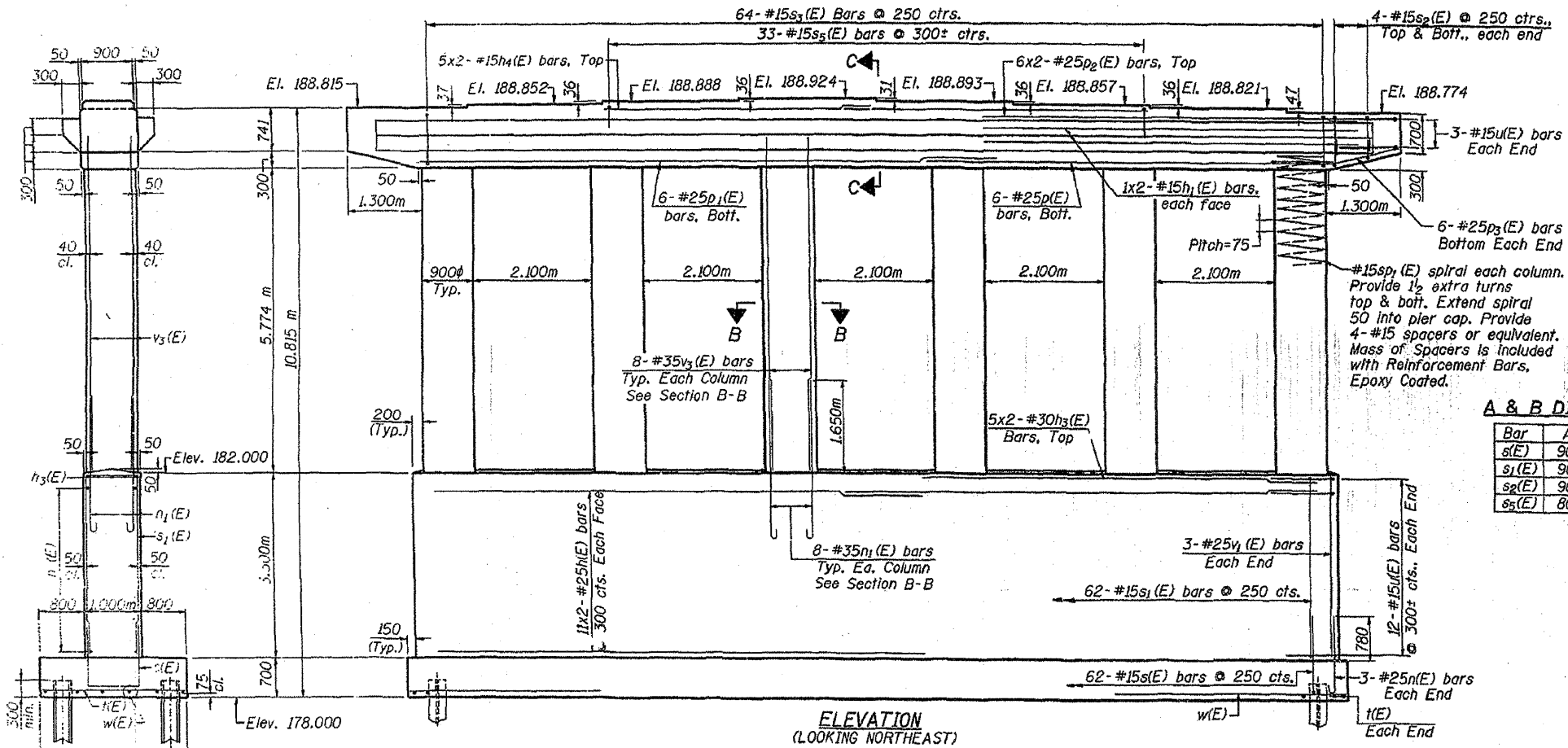
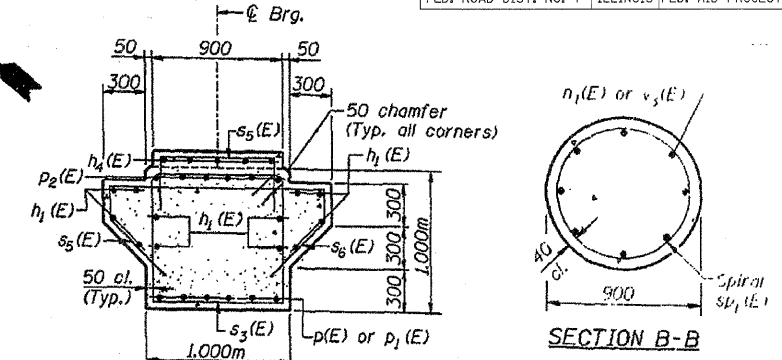
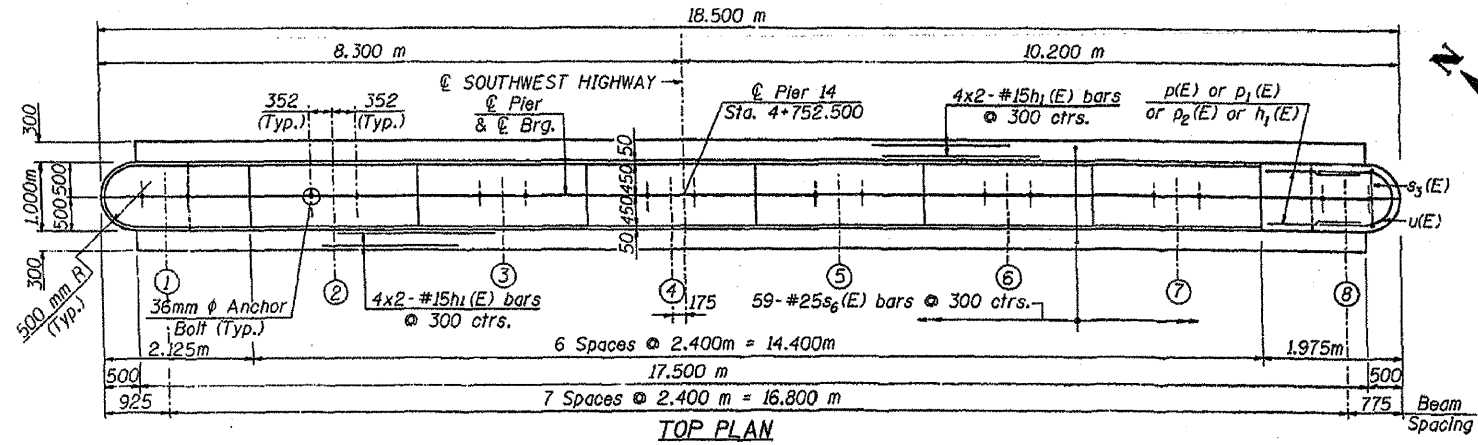
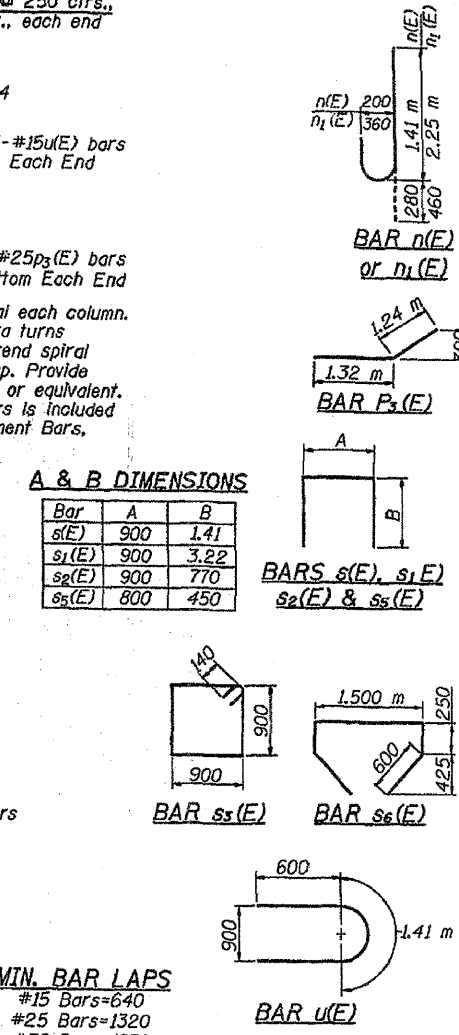
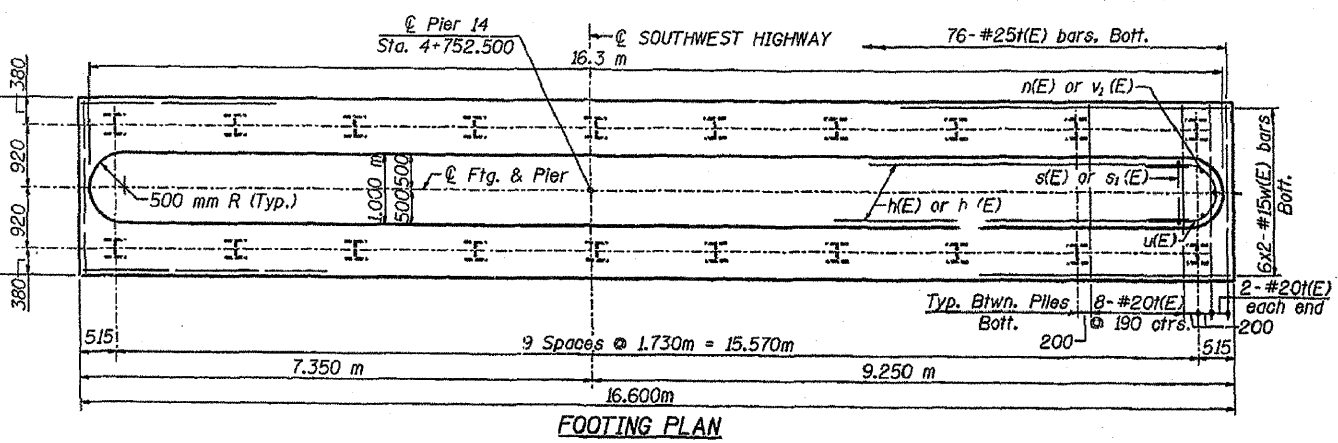


F.A.U. RTE.	SECTION	COUNTY	TOTAL SHEETS NO.	SHEET NO.
3578	15VB-1-R	COOK	243	198
STA. 4+665.229		TO STA. 4+777.600		
FED. ROAD DIST. NO. 7		ILLINOIS FED. AID PROJECT		

NOTES:
 Space Reinforcement in cap to miss anchor bolts.
 All edges shall have standard 20 mm chamfer except as noted.
 Pour steps monolithically with cap.
 Min. Spiral lap = 1 1/2 turns.
 Bars indicated thus 6x2-#25 etc. indicates 6 lines of bars with 2 lengths per line.



PILE DATA
 Type: Steel Friction Piles HP 310x79
 Capacity: 600 Kn capacity driven to 900 Kn bearing
 Est. Length: 7.000 m
 No. Required: 19+1 Test Pile in a permanent location



BILL OF MATERIAL

Bar	No.	Size	Length (m)	Shape	
n(E)	44	#25	8.36	—	
h ₁ (E)	24	#15	9.12	—	
h ₃ (E)	10	#30	8.63	—	
h ₄ (E)	10	#15	5.07	—	
n(E)	6	#25	1.69	—	
n ₁ (E)	48	#35	2.71	—	
p(E)	6	#25	7.16	—	
p ₁ (E)	6	#25	10.16	—	
p ₂ (E)	12	#25	9.46	—	
p ₃ (E)	12	#25	2.56	—	
s(E)	62	#15	3.72	—	
s ₁ (E)	62	#15	7.34	—	
s ₂ (E)	16	#15	2.44	—	
s ₃ (E)	64	#15	3.88	—	
s ₅ (E)	59	#25	3.20	—	
s ₅ (F)	33	#15	1.70	—	
sp ₁ (E)	6	#15	5.77	—	
h(E)	76	#20	2.50	—	
u(E)	30	#15	2.61	—	
v ₁ (E)	6	#25	3.20	—	
v ₃ (E)	48	#35	6.48	—	
w(E)	12	#15	8.57	—	
Furnishing Steel Piles HP 310x79				m	133.0
Test Piles Steel HP 310x79				Each	1
Concrete Structure				m ³	131.2
Reinforcement Bars, Epoxy Coated				Kg	12,690
Structure Excavation				m ³	139

MIN. BAR LAPS
 #15 Bars=640
 #25 Bars=1320
 #30 Bars=1850

Reinforcement Bars designated (E) shall be epoxy coated.
 All dimensions are in millimeters (mm) except as noted.

ILLINOIS DEPARTMENT OF TRANSPORTATION

PIER 14 DETAILS
 SOUTHWEST HIGHWAY OVER
 B. & O.C.T. RAILROAD AND MELVINA DITCH
 F.A.U. ROUTE 3578 SEC. 15VB-1-R
 COOK COUNTY STATION 4+716.471
 STRUCTURE NO. 016-0463

SCALE: DATE: 6/17/09
 DRAWN BY: F. MUNIR
 CHECKED BY: B. SHAH

CHRISTIAN - ROGE & ASSOC.
 CHICAGO ILLINOIS

REVISIONS	
NAME	DATE

FOR INFORMATION ONLY