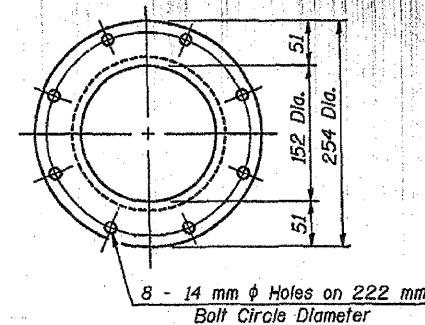
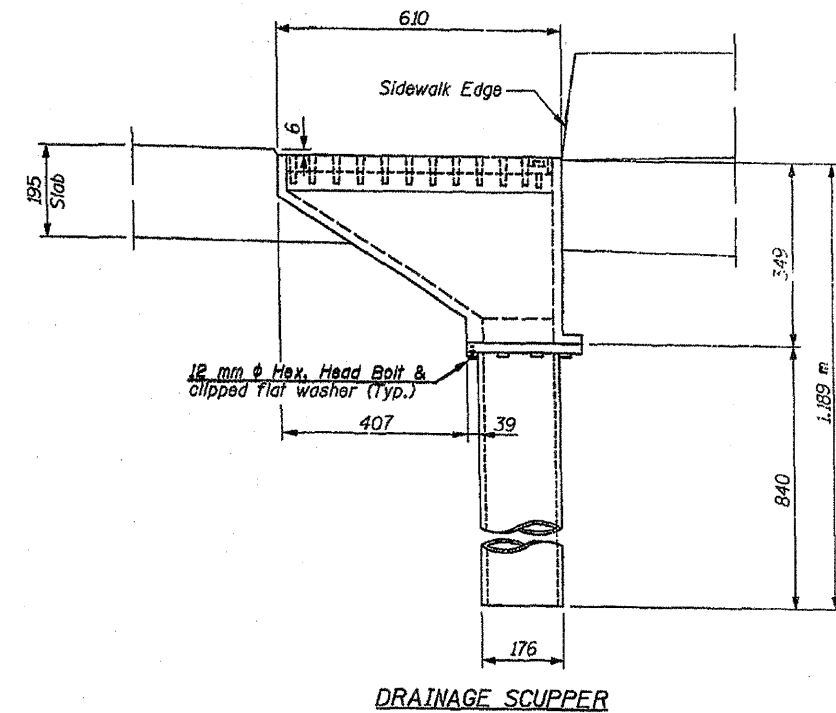
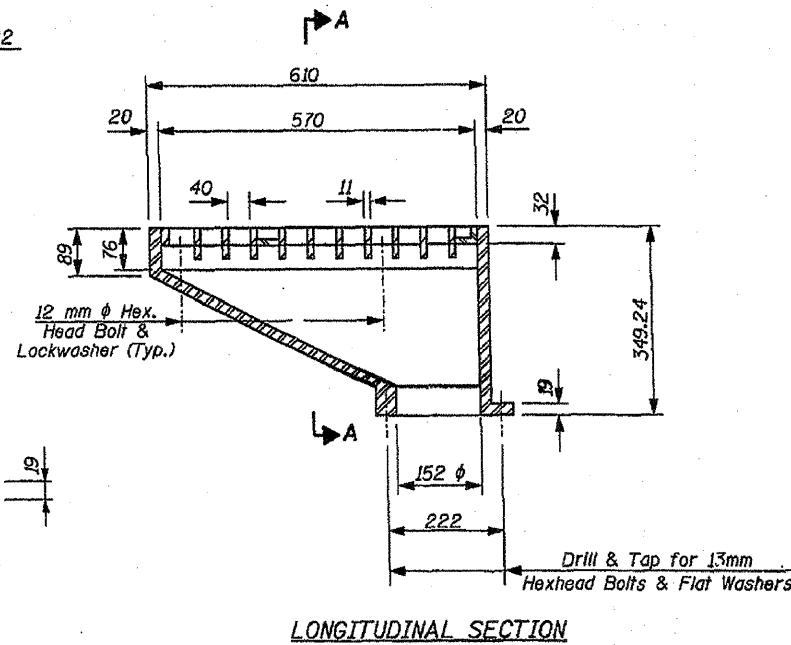
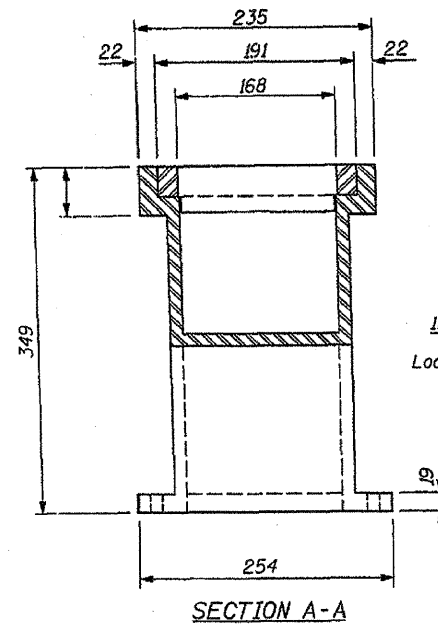
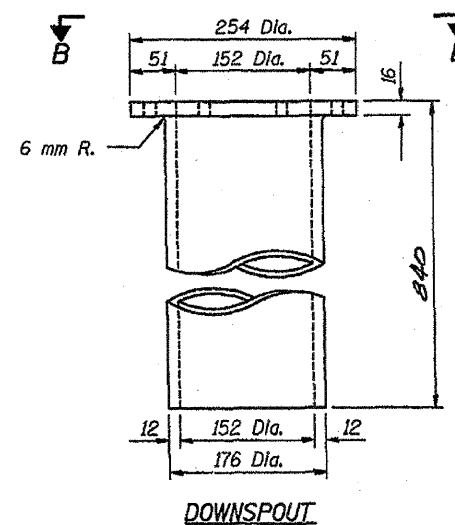


F.A. RTE.	SECTION	COUNTY	TOTAL SHEETS	SHEET NO.
3578	15VB-1-R	COOK	243	203
STA. 4+655.229		TO STA. 4+777.600		
FED. ROAD DIST. NO. 7		ILLINOIS FED. AID PROJECT		



VIEW B-B



DOWNSPOUT

Steel Alternate

Hollow structural steel tubing shall conform to the requirements of ASTM designation A 500 Grade B, or A 501 Structural Steel Tubing.

All other shapes, plates and bars shall conform to the requirements of AASHTO M 270M Grade 250.

Bolts, studs, washers and nuts shall conform to the requirements of ASTM A 307.

The Grate, Frame and Downspout shall be galvanized after shop fabrication according to AASHTO M 111 & ASTM A 385.

All bolts, washers and nuts shall be galvanized according to AASHTO M 232.

Cost of the Grate, Frame, Downspout, Bolts, Washers and Nuts including complete installation of Scupper will be paid for at the unit bid price each for "DRAINAGE SCUPPERS."

Cast Iron Alternate

All cast iron parts shall be gray Iron conforming to the requirements of AASHTO M 105, Class 30.

Bolts and washers shall conform to the requirements of ASTM A 307.

All bolts and washers shall be galvanized according to AASHTO M 232.

As an alternate bolts and washers may be stainless steel conforming to the requirements of ASTM A 193M, Type 304.

Cost of the Grate, Frame, Downspout, bolts and washers including complete installation of Scupper will be paid for at the unit bid price each for "DRAINAGE SCUPPERS."

The Contractor may use at his option steel drainage scuppers or cast iron drainage scuppers.

All dimensions are in millimeters (mm) except as noted.

BILL OF MATERIAL

ITEM	UNIT	QUANTITY
Drainage Scuppers	Each	8

REVISIONS	
NAME	DATE

ILLINOIS DEPARTMENT OF TRANSPORTATION

DRAINAGE SCUPPER DETAILS

SOUTHWEST HIGHWAY OVER
B. & O.C.T. RAILROAD AND MELVINA DITCH
F.A.U. ROUTE 3578 SEC. 15VB-1-R
COOK COUNTY STATION 4+716.471
STRUCTURE NO. 016-0463

SCALE: DATE: 6/17/09
DRAWN BY: F. MUNIR
CHECKED BY: B. SHAH

CHRISTIAN - ROGE & ASSOC.
CHICAGO ILLINOIS