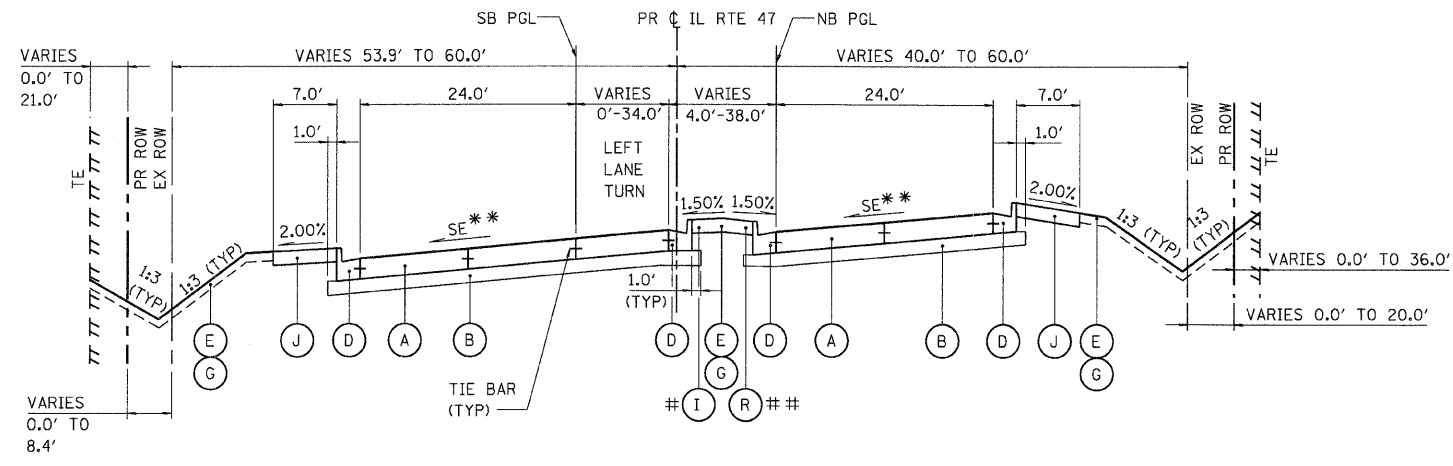
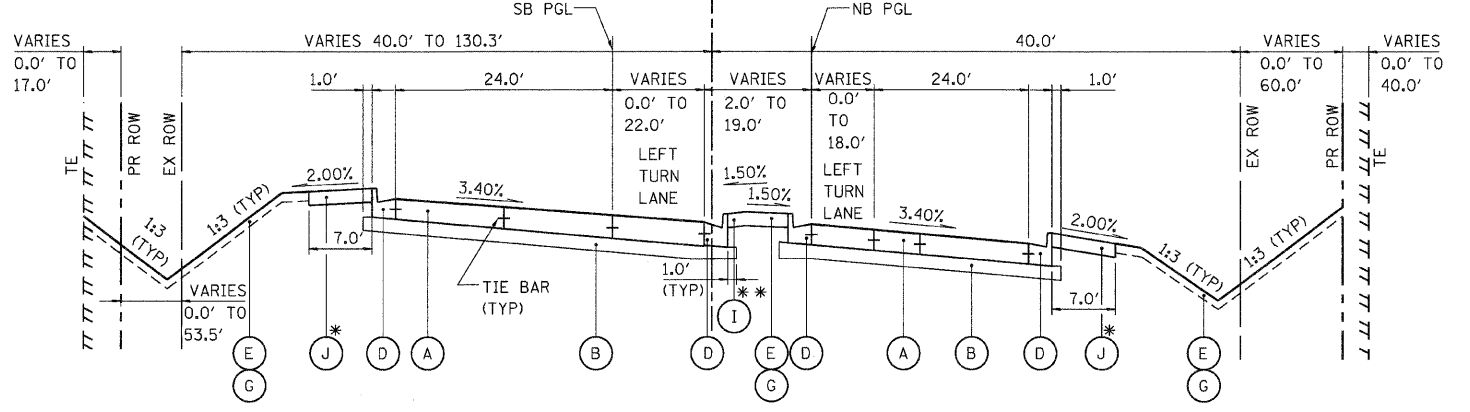


F.A.P. RTE.	SECTION	COUNTY	TOTAL SHEETS	SHEET NO.
326		MCHENRY	502	16
STA. 9+35.22		TO STA.142+08.53		
FED. ROAD DIST. NO.		ILLINOIS FED. AID PROJECT		
* (105X & 106) WRS-2				

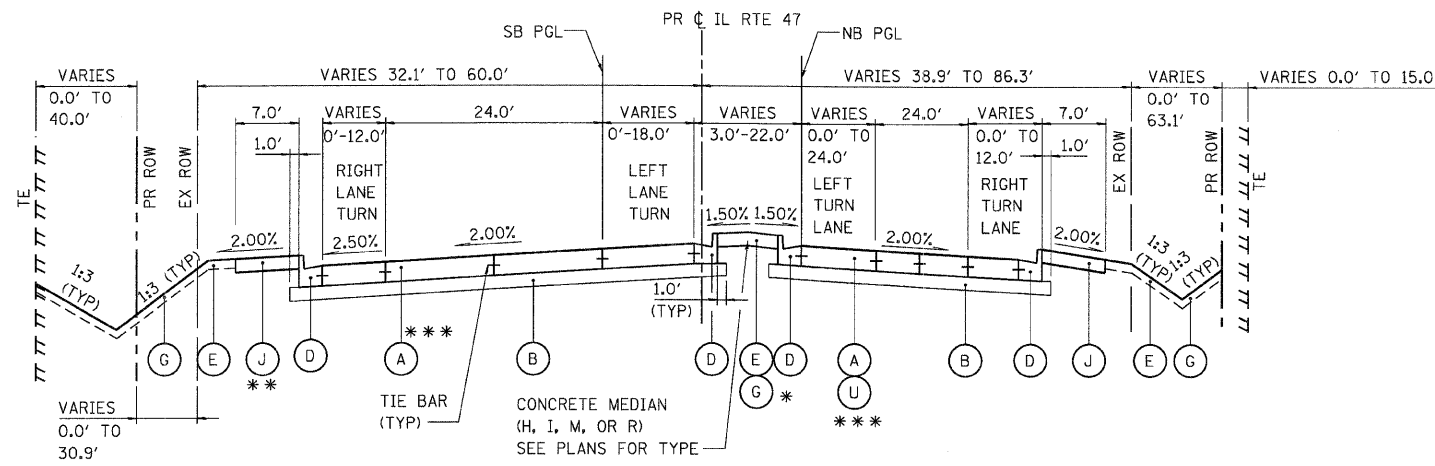


ILLINOIS ROUTE 47
 STA 32+45.75 TO STA 46+88.21
 STA 126+29.75 TO STA 134+73.92
 # STA 40+93.07 TO STA 43+78.15
 STA 126+29.75 TO STA 127+66.19
 # STA 130+43.21 TO STA 134+73.92
 ## STA 43+78.15 TO STA 46+88.21

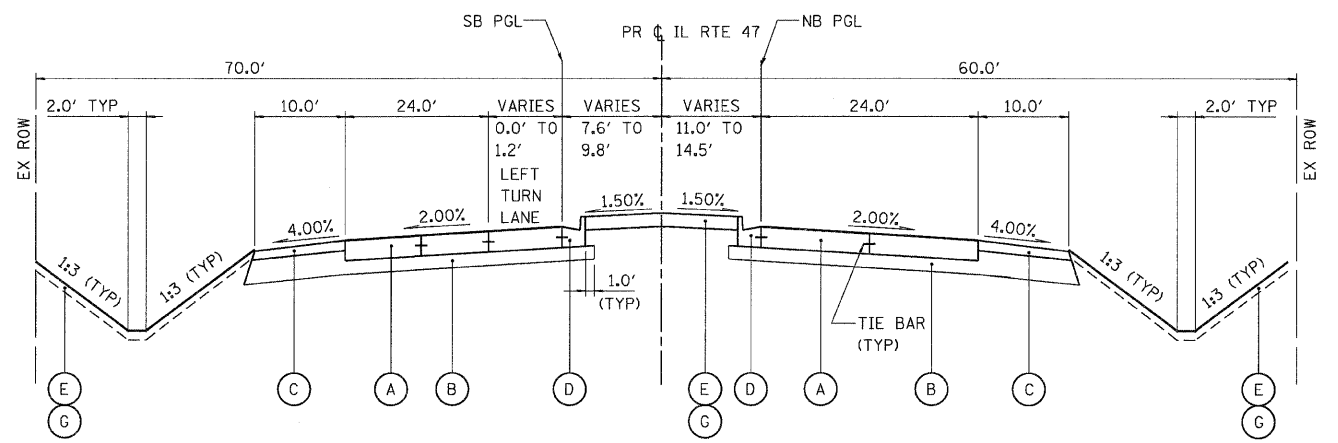
SEE ALIGNMENT AND TIES SHEETS FOR CROSS SLOPES



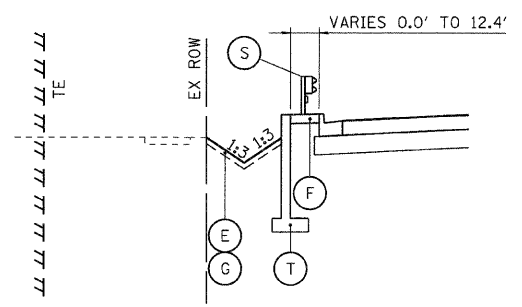
ILLINOIS ROUTE 47
 STA 104+33.81 TO STA 118+10.59
 ** STA 108+22.21 TO STA 111+10.84
 ** STA 115+07.35 TO STA 117+58.99
 SIDEWALK OMISSION:
 STA 112+00.00 TO STA 118+10.59 (LT)
 STA 108+38.28 TO STA 117+77.70 (RT)



ILLINOIS ROUTE 47
 STA 46+88.21 TO STA 104+33.81
 STA 118+10.59 TO STA 126+29.75
 * STA 55+79.57 TO STA 59+39.16
 ** SIDEWALK OMISSION:
 STA 55+57.97 TO STA 61+26.31 (LT)
 STA 118+10.59 TO STA 124+02.44 (LT)
 *** STA 76+92.88 TO STA 77+76.70 (NB) AND
 STA 77+25.59 TO STA 78+14.18 (SB)



ILLINOIS ROUTE 47
 STA 140+30.81 TO STA 142+08.53



STA 55+73.40 TO STA 59+85.90 (LT)
 STA 112+69.67 TO STA 116+23.82 (LT)

PROPOSED LEGEND

- | | |
|---|---|
| (A) 10" JOINTED P.C.C. PAVEMENT | (K) HMA PAVEMENT (FULL DEPTH), 9 1/2" (SEE NOTE 1) |
| (B) AGGREGATE SUBGRADE, 12" (SEE NOTE 3) | (L) HMA PAVEMENT (FULL DEPTH), 12" (SEE NOTE 2) |
| (C) HMA SHOULDER, 8" | (M) ESCAPE AREA MEDIAN |
| (D) COMBINATION CONCRETE CURB AND GUTTER, TYPE B-6.24 | (N) COMBINATION CONCRETE CURB AND GUTTER, TYPE B-6.12 |
| (E) SODDING, SALT TOLERANT/SEEDING, CL 2A | (O) P.C.C. BASE COURSE, 8 1/4" |
| (F) HMA SHOULDER, 6" | (P) POLYMERIZED HMA SURFACE COURSE, MIX F, N90, 1 3/4" |
| (G) TOPSOIL FURNISH AND PLACE, 4" | (Q) POLYMERIZED HMA BINDER COURSE, IL-19.0, N90, 2 1/4" |
| (H) CONCRETE MEDIAN, TYPE SB-6.12 | (R) CONCRETE MEDIAN, TYPE SB-6.24 |
| (I) CONCRETE MEDIAN, TYPE SB-6 (SPECIAL) | (S) STEEL PLATE BEAM GUARDRAIL, TYPE A |
| (J) P.C.C. SIDEWALK, 5" | (T) RETAINING WALL |
| | (U) 10" JOINTED PCC PAVEMENT W/PAVEMENT FABRIC |

NOTES:

- THE 9 1/2-INCH HMA PAVEMENT (FULL-DEPTH) SHALL CONSIST OF:
 2-INCH HMA SURFACE COURSE, MIX "D", N70
 7 1/2-INCH HMA BINDER COURSE, IL 19.0, N70
- THE 12-INCH HMA PAVEMENT (FULL-DEPTH) SHALL CONSIST OF:
 2-INCH HMA SURFACE COURSE, MIX "D", N70
 10-INCH HMA BINDER COURSE, IL 19.0, N70
- ADDITIONAL SUBGRADE THICKNESS BELOW MEDIAN AREA AND SHOULDER SHALL BE INCLUDED IN THE COST OF THE PAY ITEM FOR AGGREGATE SUBGRADE, 12" AND SHALL NOT BE PAID FOR SEPARATELY.
- SEE TURN LANE MEDIAN DETAILS SHEET FOR TYPICAL LAYOUT AND DESIGN OF MEDIANS ADJACENT TO LEFT TURN LANES.

REVISIONS	
NAME	DATE
ADDENDUM A	12/21/09



ILLINOIS DEPARTMENT OF TRANSPORTATION
ILLINOIS ROUTE 47
PROPOSED TYPICAL SECTIONS ROUTE 47
SHEET 4 OF 9

SCALE: VERT. NO SCALE
 HORIZ. DATE: 8/5/2009
 DRAWN BY: E.D.
 CHECKED BY: B.S.

PLOT DATE = Thursday, December 17, 2009
 FILE NAME = S:\11-CADD\11-wrt\11016_sug-sec-4.dgn
 PLOT SCALE = 1/8"=1'
 USER NAME = 3879