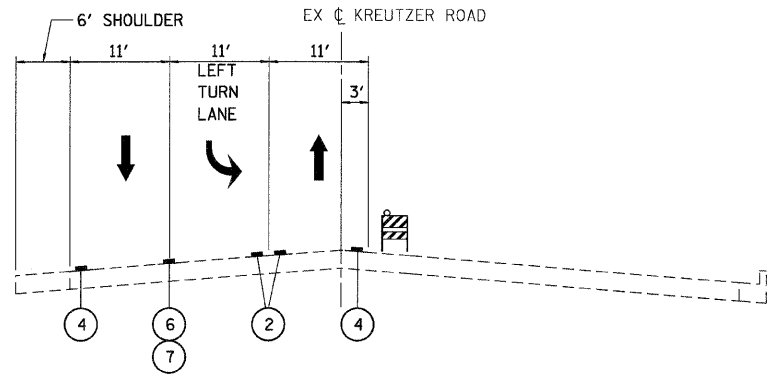
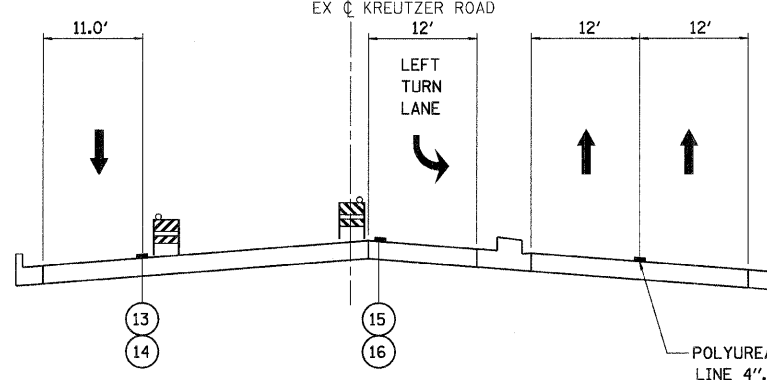


F.A.P. RTE.	SECTION	COUNTY	TOTAL SHEETS	SHEET NO.
326	*	McHENRY	502	53
STA. 9+35.22		TO STA.142+08.53		
FED. ROAD DIST. NO.		ILLINOIS FED. AID PROJECT		
* (105X & 106) WRS-2				

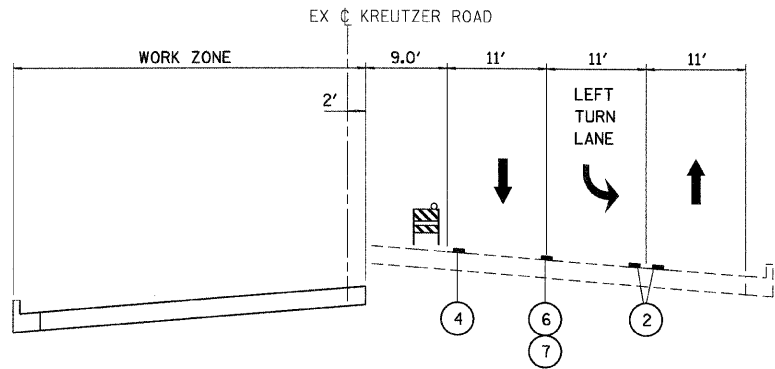


**STAGE 1: KREUTZER ROAD (EAST)**

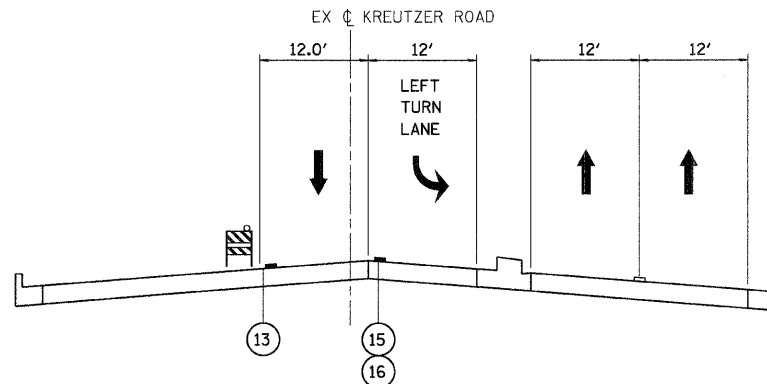


**STAGE 3B: KREUTZER ROAD (EAST)**

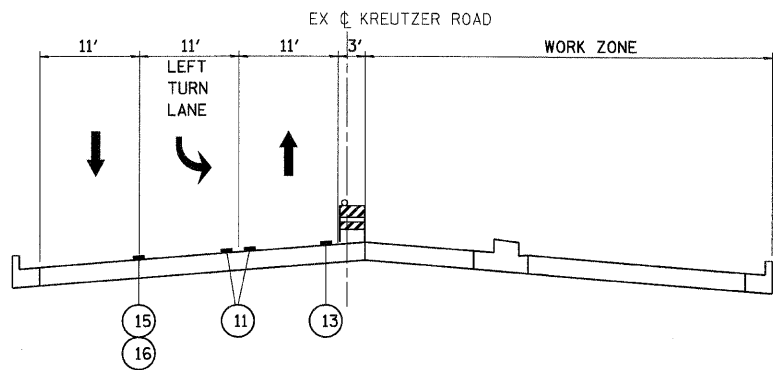
POLYUREA PAVEMENT MARKING, TYPE 1, LINE 4", WHITE (30' SKIP - 10' DASH)



**STAGE 1B & 2: KREUTZER ROAD (EAST)**



**STAGE 3C: KREUTZER ROAD (EAST)**



**STAGE 2B & 3: KREUTZER ROAD (EAST)**

PLOT DATE = Thursday, December 17, 2009  
 FILE NAME = S:\11-CADD\01-ent\ent\0853.met.tyo.sao.stde.plt  
 PLOT SCALE = 1/8"=1'  
 USER NAME = 3690

A



REVISIONS	
NAME	DATE
ADDENDUM A	12/21/09

ILLINOIS DEPARTMENT OF TRANSPORTATION  
**KREUTZER ROAD**  
 MAINTENANCE OF TRAFFIC TYPICAL SECTIONS  
 SHEET 1 OF 2

SCALE: VERT. NO SCALE  
 HORIZ. DATE: 8/5/2009  
 DRAWN BY: E.D.  
 CHECKED BY: B.S.