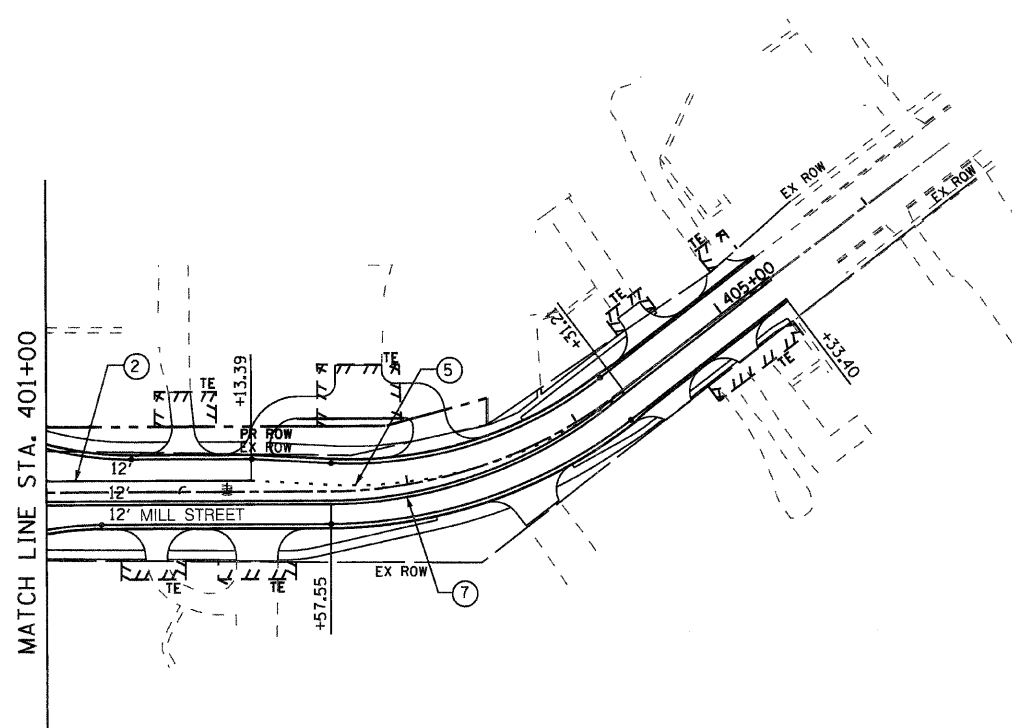
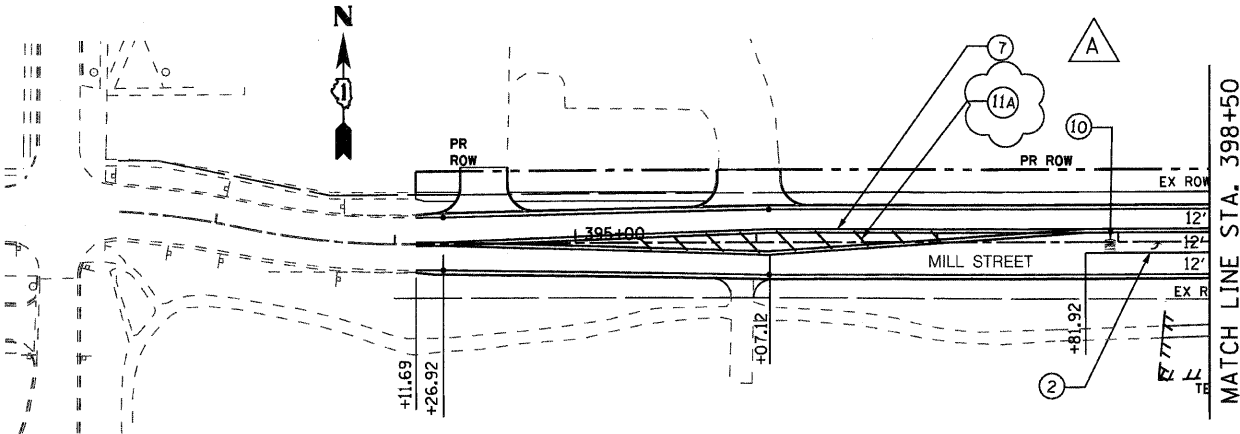
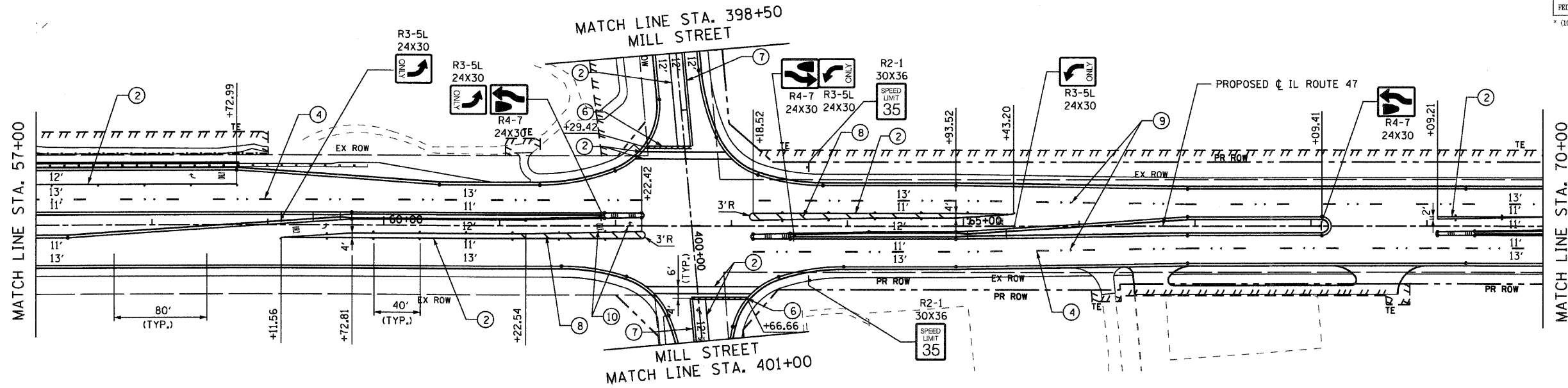


FAP RTE	SECTION	COUNTY	TOTAL SHEETS	SHEET NO.
326	*	McHenry	502	255
STA	9+35.22	TO STA.	142+08.53	
FED. ROAD DIST. NO. 1	ILLINOIS	FED. AID PROJECT		

\* (105X & 106) WRS-2



LEGEND:

- ① POLYUREA PAVEMENT MARKING, TYPE 1, LINE 4", SOLID WHITE
- ② POLYUREA PAVEMENT MARKING, TYPE 1, LINE 6", SOLID WHITE
- ③ NOT USED
- ④ POLYUREA PAVEMENT MARKING, TYPE 1, LINE 4", WHITE SKIP-DASH 10' DASH, 30' SKIP
- ⑤ POLYUREA PAVEMENT MARKING, TYPE 1, LINE 6", WHITE SKIP-DASH 2' DASH - 6' SKIP
- ⑤A POLYUREA PAVEMENT MARKING, TYPE 1, LINE 8", SOLID WHITE
- ⑥ POLYUREA PAVEMENT MARKING, TYPE 1, SOLID WHITE LINE, 24"

- ⑦ POLYUREA PAVEMENT MARKING, TYPE 1, DOUBLE SOLID YELLOW LINE, 4" AT 11" C-C
- ⑧ POLYUREA PAVEMENT MARKING, TYPE 1, SOLID WHITE DIAGONAL LINE, 12" (45°) AT 20' C-C
- ⑧A POLYUREA PAVEMENT MARKING, TYPE 1, SOLID WHITE DIAGONAL LINE, 12" (45°) AT 2' EQUAL SPACES
- ⑨ RAISED REFLECTIVE MARKER, 40' C-C ALONG TURN LANE MEDIANS, 80' SPACING BETWEEN SKIP-DASHES
- ⑩ POLYUREA PAVEMENT MARKING, TYPE 1, LETTERS AND SYMBOLS WHITE
- ⑩A POLYUREA PAVEMENT MARKING TYPE 1, SOLID YELLOW DIAGONAL LINE 12" (45°) AT 20' C-C

RHEO GROUP, P.C.  
Construction Management, Transportation Planning

8131 West Catherine Avenue  
Chicago, Illinois 60656  
773-774-9489  
773-467-0359 FAX

REVISIONS	
NAME	DATE
ADDENDUM A	12/21/09

ILLINOIS DEPARTMENT OF TRANSPORTATION  
ILLINOIS ROUTE 47 KREUTZER ROAD TO REED ROAD

PAVEMENT MARKING PLAN  
STA. 57+00 TO STA. 70+00  
MILL STREET

SCALE: 1"=50'  
DATE:

DRAWN BY: DS  
CHECKED BY: AW