

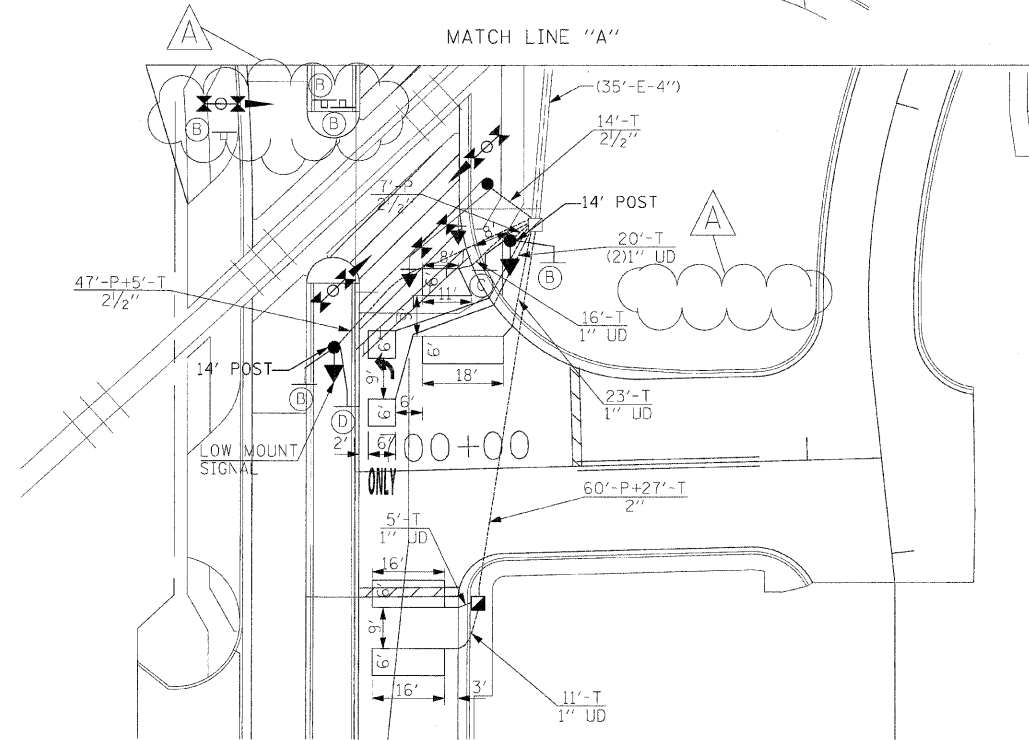
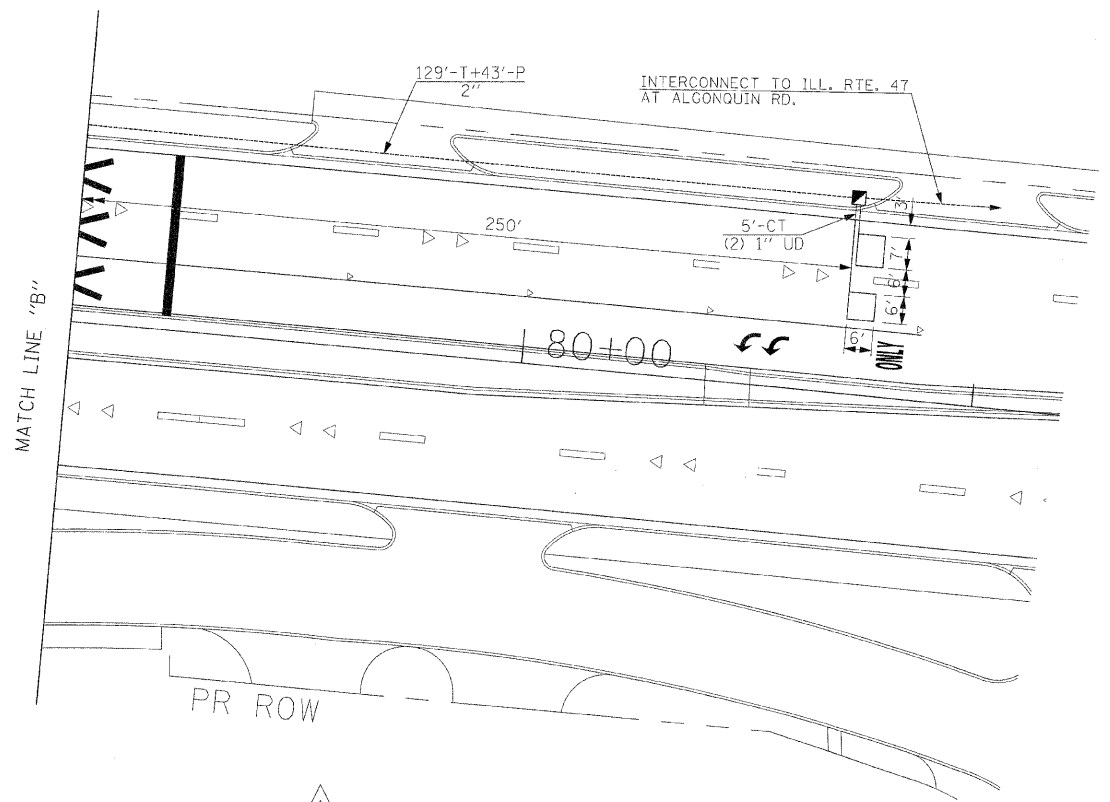
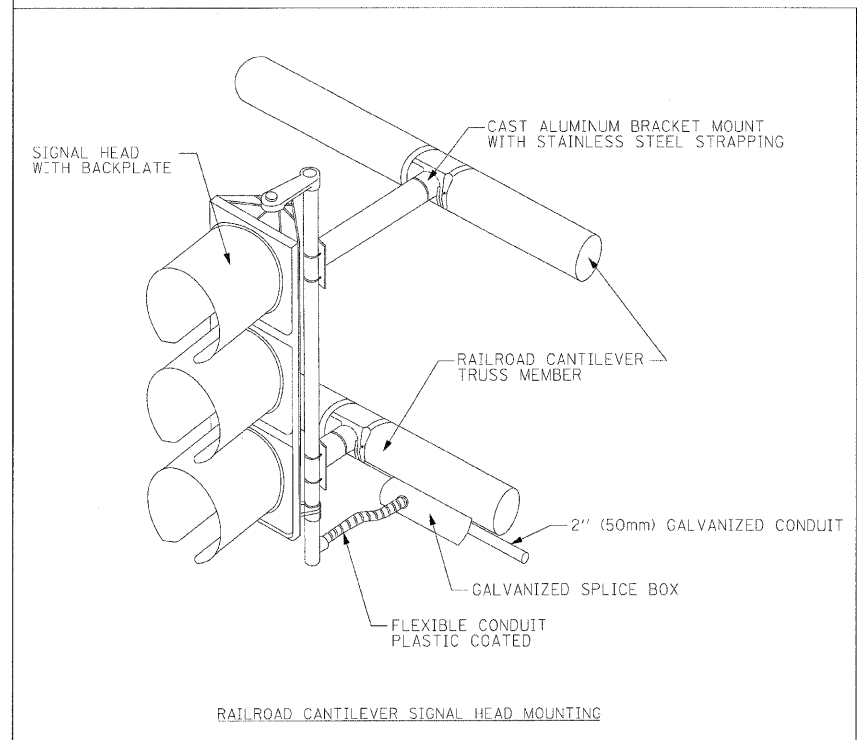
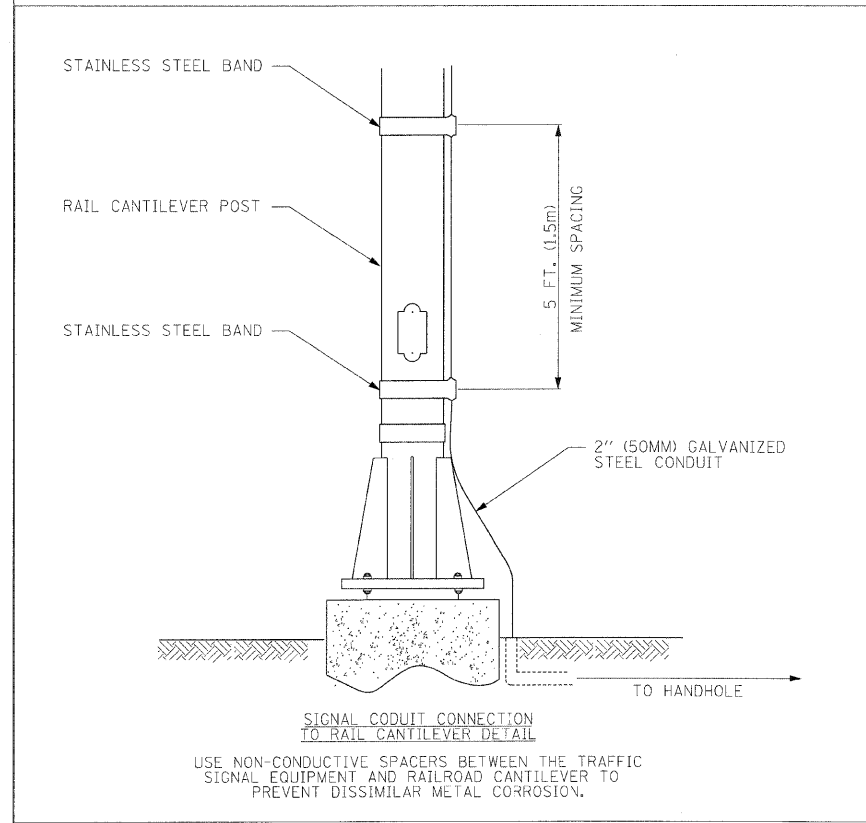
F.A.P. RTE.	SECTION	COUNTY	TOTAL SHEETS	SHEET NO.
326	*	McHENRY	502	291
STA.	TO STA.			
FED. ROAD DIST. NO.	ILLINOIS	FED. AID PROJECT:		

• (105X & 106) WRS-2



**TRAFFIC SIGNAL LEGEND**

CONTROLLER		EXISTING	
SERVICE INSTALLATION			
SIGNAL HEAD			
SIGNAL HEAD WITH BACKPLATE			
SIGNAL HEAD, PEDESTRIAN			
SIGNAL POST			
MAST ARM ASSEMBLY AND POLE, STEEL			
MAST ARM ASSEMBLY AND POLE, ALUMINUM			
COMBINATION MAST ARM ASSEMBLY AND POLE, STEEL WITH LUMINA:RE			
UNIT DUCT			
COMMON TRENCH			
HANDHOLE			
HEAVY DUTY HANDHOLE			
DOUBLE HANDHOLE			
GALVANIZED STEEL CONDUIT IN TRENCH OR PUSHED			
PEDESTRIAN PUSHBUTTON DETECTOR			
DETECTOR LOOP			
CAST IRON JUNCTION BOX			
EMERGENCY VEHICLE SYSTEM DETECTOR			
CONFIRMATION BEACON			
SIGNAL HEAD, OPTICALLY PROGRAMMED			
CONDUIT SPLICE			
WOOD POLE			
RACEWAY FOR MAGNETIC DETECTOR, TYPE I OR TYPE II			
VEHICLE DETECTOR, NON COMPENSATED MAGNETIC TYPE			
RAILROAD CONTROL CABINET			
TELEPHONE CONNECTION			
ILLUMINATED SIGN, FIBER OPTIC "NO LEFT TURN"			
ILLUMINATED SIGN, FIBER OPTIC "NO RIGHT TURN"			
MICROWAVE VEHICLE SENSOR			
UPS-BATTERY BACK-UP			
CROSSING GATE			
RAILROAD CANT.MAST ARM			



THE TRAFFIC SIGNAL CONTROL EQUIPMENT FOR THIS PROJECT SHALL BE "EAGLE" TO MATCH THE EXISTING ADJACENT SYSTEM.

REVISIONS	
NAME	DATE
ADDENDUM A	12/21/2009

ILLINOIS DEPARTMENT OF TRANSPORTATION

TRAFFIC SIGNAL INSTALLATION  
ILLINOIS ROUTE 47  
AT MAIN STREET  
(SHEET 2 OF 2)

SCALE: 1"=20'

DATE: APRIL 17, 2009

DRAWN BY: MAA  
DESIGNED BY: PKG/RRM  
CHECKED BY: PKG/RRM

**ga** GANDHI AND ASSOCIATES, INC.  
ENGINEERS AND PLANNERS  
6035 N. NORTHWEST HIGHWAY  
SUITE 306  
CHICAGO, ILLINOIS 60631 TEL. (773) 774-5900

**ga** GANDHI AND ASSOCIATES, INC.  
ENGINEERS AND PLANNERS  
6035 N. NORTHWEST HIGHWAY  
SUITE 306  
CHICAGO, ILLINOIS 60631 TEL. (773) 774-5900