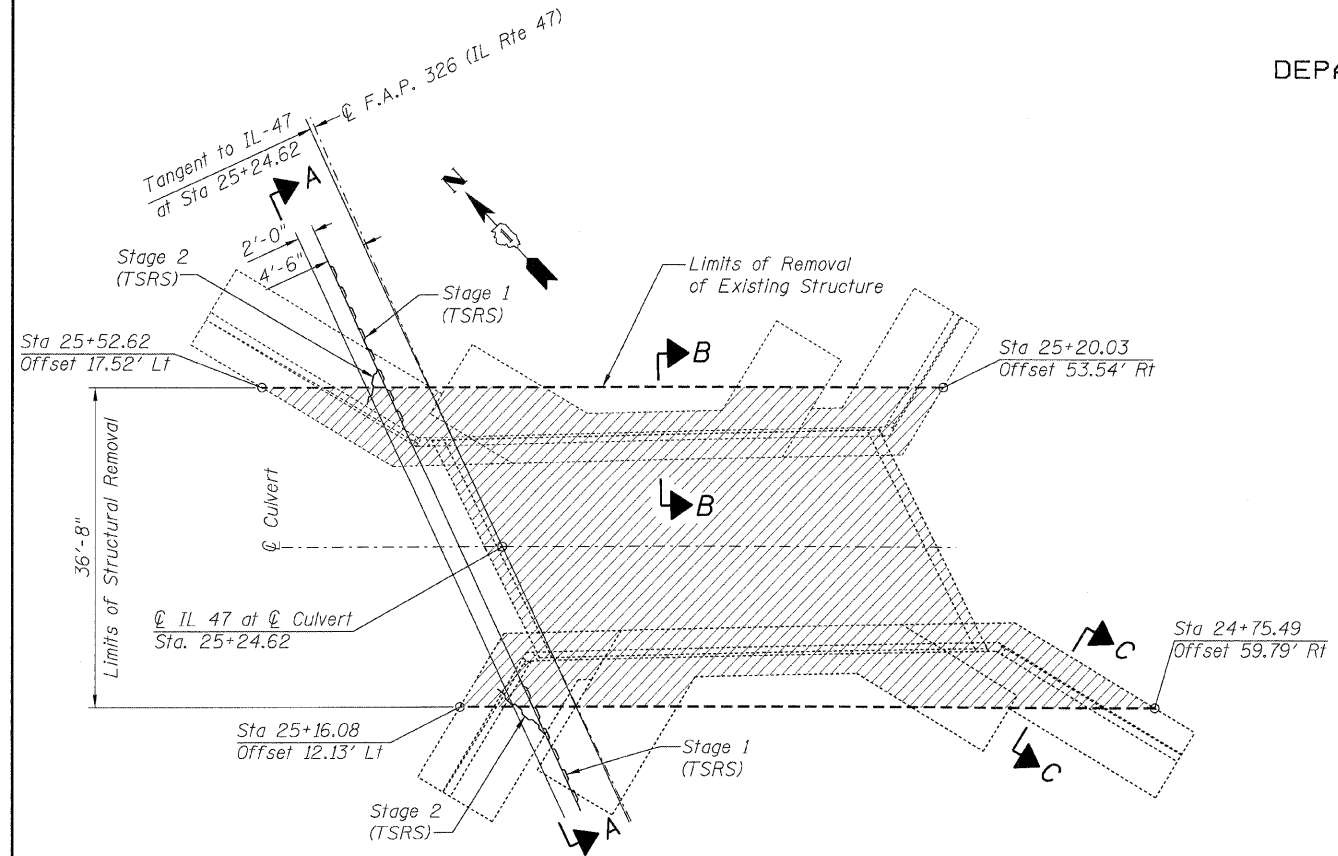


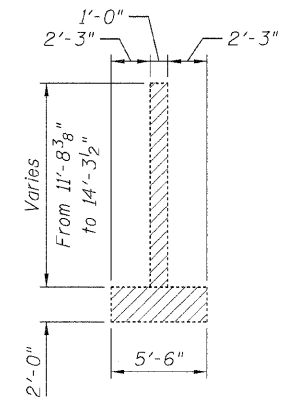
STATE OF ILLINOIS
DEPARTMENT OF TRANSPORTATION

ROUTE NO.	SECTION	COUNTY	TOTAL SHEETS	SHEET NO.
FAP 326	★	McHENRY	502	332
FED. ROAD DIST. NO. 1	ILLINOIS	FED. AID PROJECT-	326	

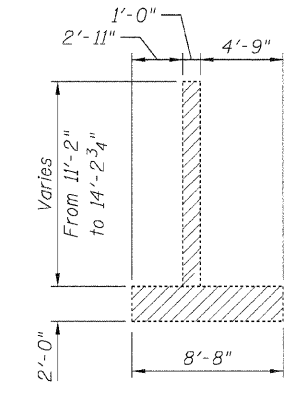
Contract No. 62882
★ (105X & 106)WRS-2



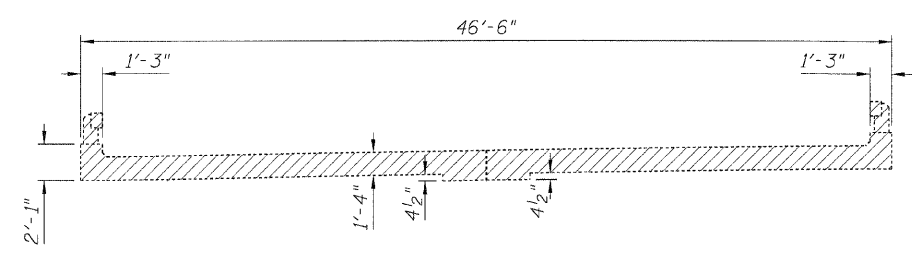
REMOVAL PLAN



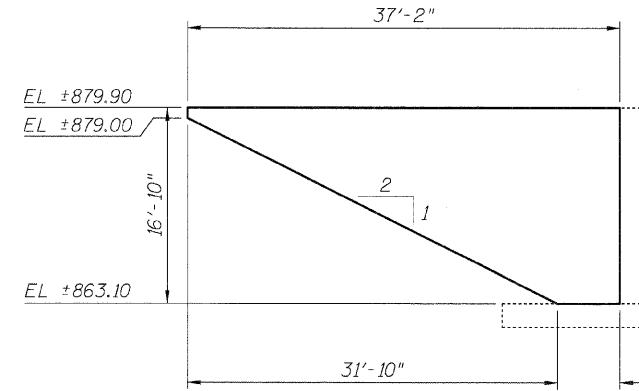
SECTION B-B



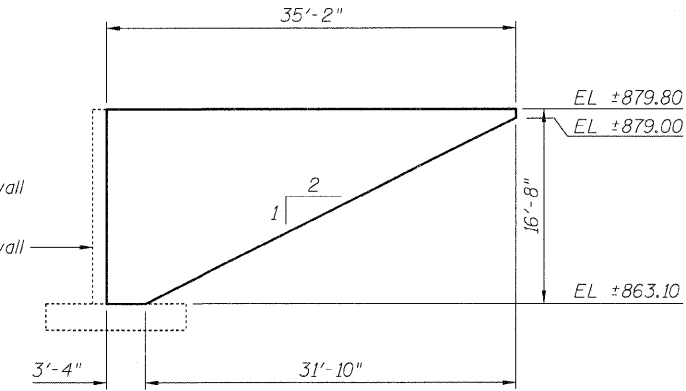
SECTION C-C



SLAB SECTION REMOVAL

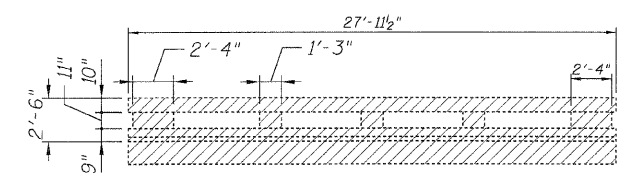


(TSRS) AT NORTHWEST CORNER



(TSRS) AT SOUTHWEST CORNER

SECTION A-A



HANDRAIL REMOVAL

NOTES

- Remove all structure elements within Limits shown for existing removal.

LEGEND

- Indicates Material to be removed
- Temporary Soil Retention System (TSRS)

DESIGNED	- NDR
CHECKED	- DSE
DRAWN	- RTT
CHECKED	- DSE
DATE	- Aug. 5, 2009

BILL OF MATERIAL

ITEM	UNIT	TOTAL
Removal of Existing Structures	Each	1
Temporary Soil Retention System	Sq Ft	1,706.1

REMOVAL
IL ROUTE 47 OVER
S. BRANCH KISHWAUKEE RIVER
F.A.P. 326 - SECT. (105X & 106)WRS-2
McHENRY COUNTY
STATION 25+24.62
STRUCTURE NO. 056-0085