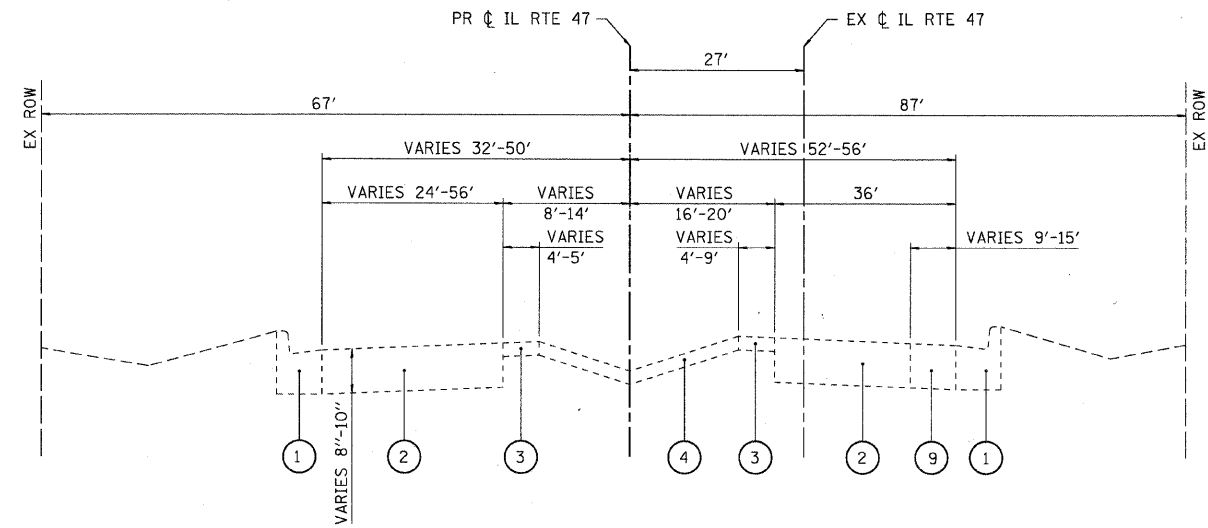
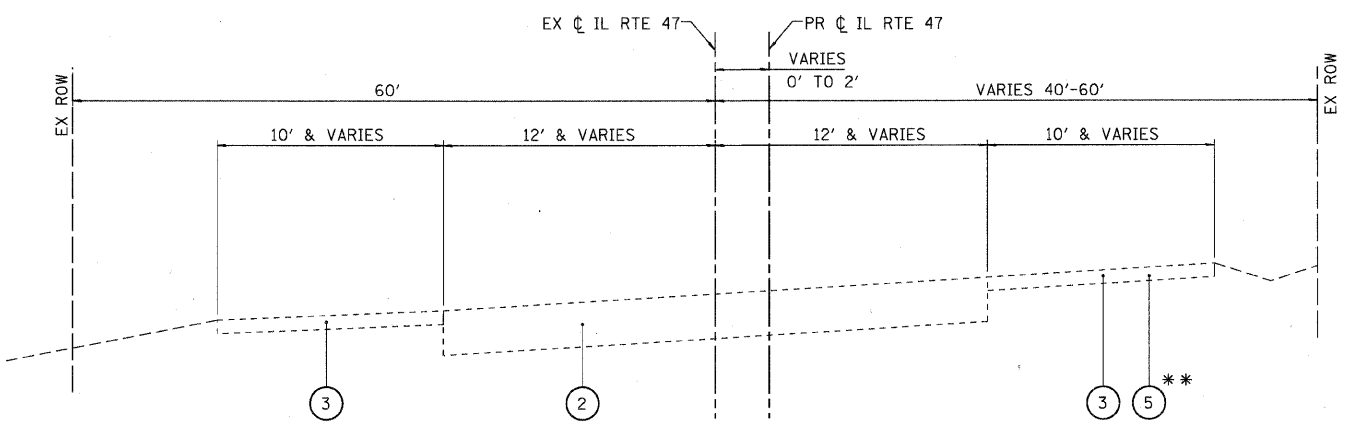


F.A.P. RTE.	SECTION	COUNTY	TOTAL SHEETS	SHEET NO.
326	*	McHENRY	502	13
STA. 9+35.22		TO STA.142+08.53		
FED. ROAD DIST. NO.		ILLINOIS	FED. AID PROJECT	

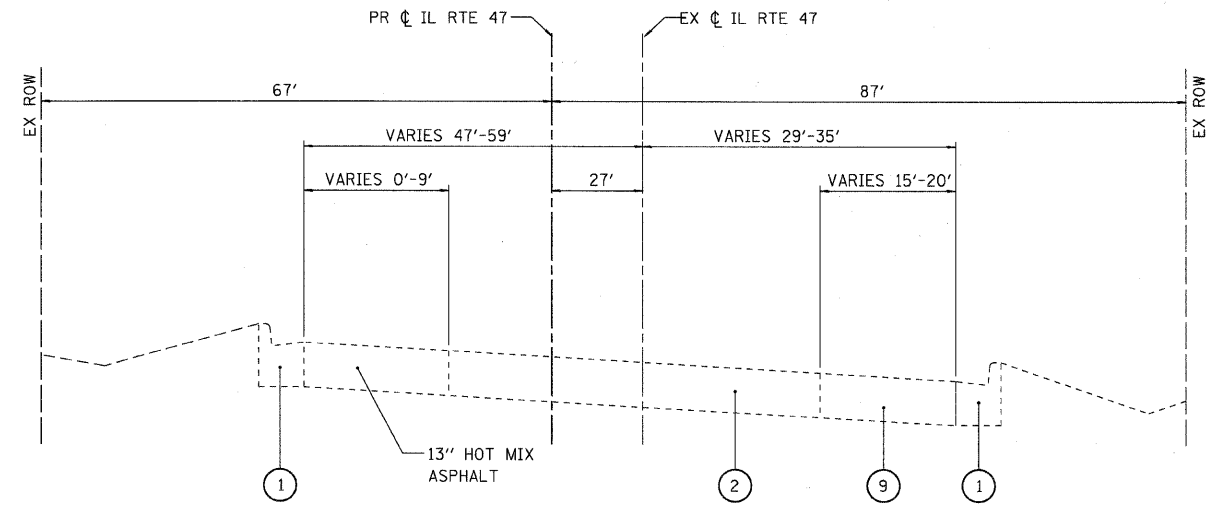
* (105X & 106) WRS-2



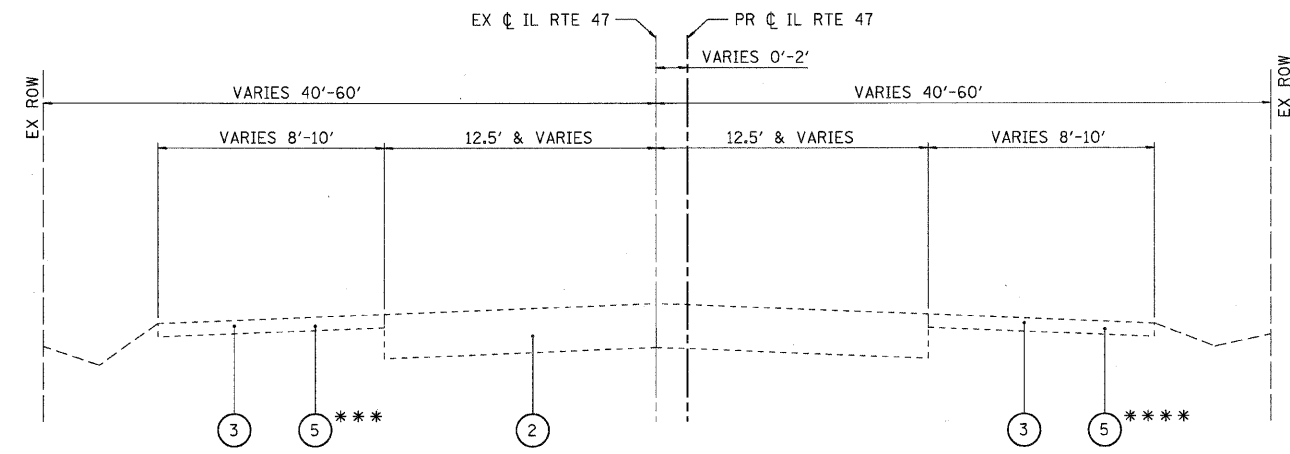
EXISTING ILLINOIS ROUTE 47
STA 9+35.22 TO STA 12+35



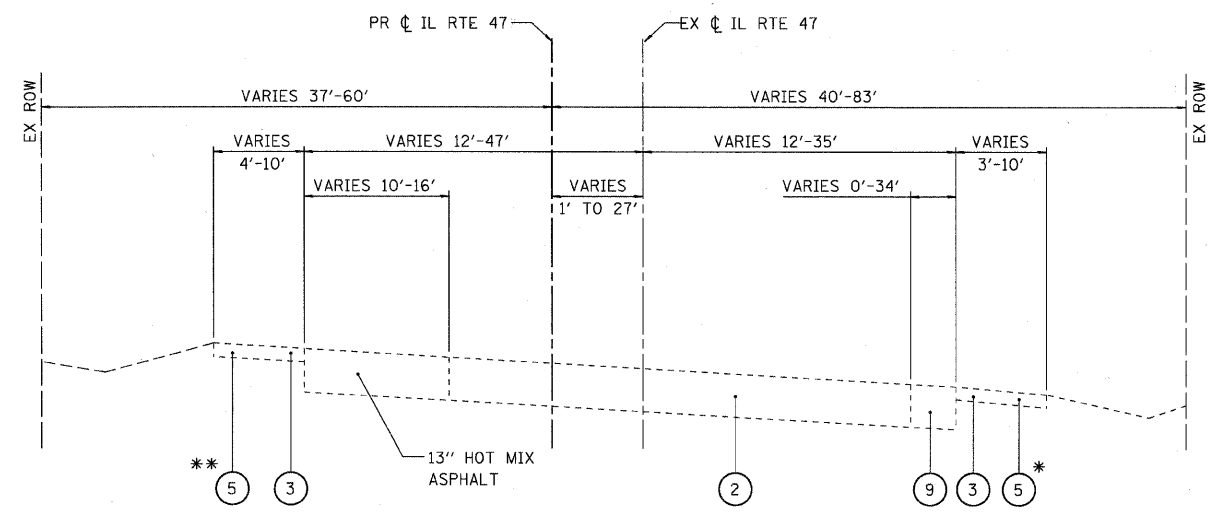
EXISTING ILLINOIS ROUTE 47
STA 34+50 TO STA 45+13
** STA 37+73 TO STA 39+24



EXISTING ILLINOIS ROUTE 47
STA 12+35 TO STA 14+67



EXISTING ILLINOIS ROUTE 47
STA 45+13 TO STA 71+44
STA 116+35 TO STA 128+10
*** STA 55+72 TO STA 57+50 & STA 121+00 TO 127+84
**** STA 66+86 TO STA 69+05



EXISTING ILLINOIS ROUTE 47
STA 14+67 TO STA 34+50
* STA 22+53 TO STA 24+73
** STA 21+73 TO STA 24+66

EXISTING LEGEND

- ① COMBINATION CURB AND GUTTER
- ② COMPOSITE PAVEMENT
BITUMINOUS OVERLAY, VARIES 3"-9",
P.C.C. PAVEMENT, VARIES 7"-10"
- ③ AGGREGATE SHOULDER, VARIES 2"-15"
- ④ GRASS MEDIAN
- ⑤ BITUMINOUS SHOULDER, 4"-8"
- ⑥ P.C.C. PAVEMENT, 9.75"
- ⑦ P.C.C. SIDEWALK
- ⑧ P.C.C. MEDIAN
- ⑨ BITUMINOUS PAVEMENT, VARIES 7.5"-14.5"



REVISIONS	
NAME	DATE

ILLINOIS DEPARTMENT OF TRANSPORTATION
ILLINOIS ROUTE 47
EXISTING TYPICAL SECTIONS ROUTE 47
SHEET 1 OF 9

SCALE: VERT. NO SCALE
HORIZ. DATE: 8/5/2009
DRAWN BY: E.D.
CHECKED BY: B.S.

PLOT DATE = Friday, August 07, 2009
FILE NAME = S:\11-CADD\01-ahs\013.dgn
PLOT SCALE = 1/8"=1'-0"
USER NAME =