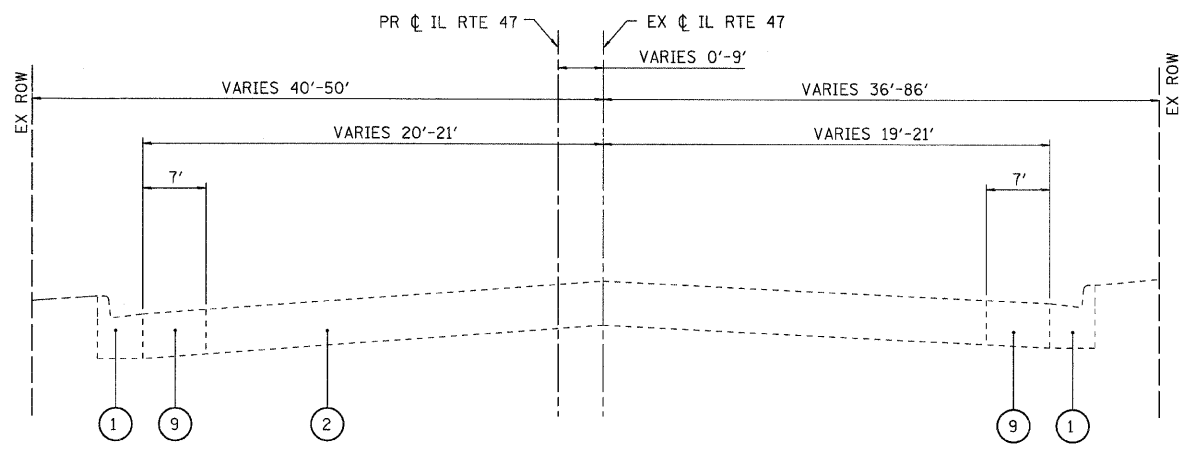
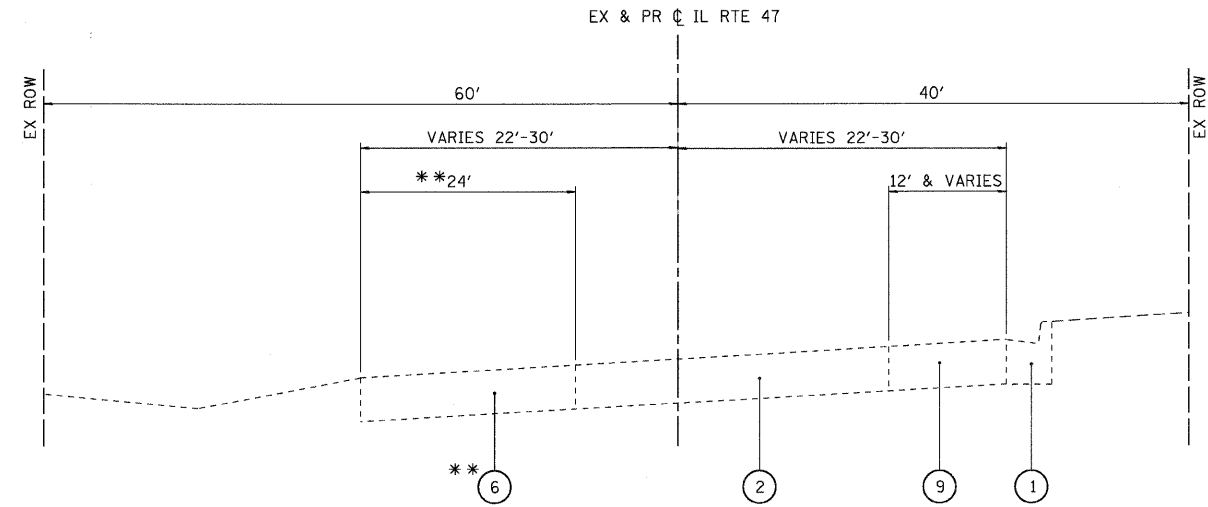


F.A.P. RTE.	SECTION	COUNTY	TOTAL SHEETS	SHEET NO.
326	*	McHENRY	502	14
STA. 9+35.22		TO STA.142+08.53		
FED. ROAD DIST. NO.		ILLINOIS FED. AID PROJECT		

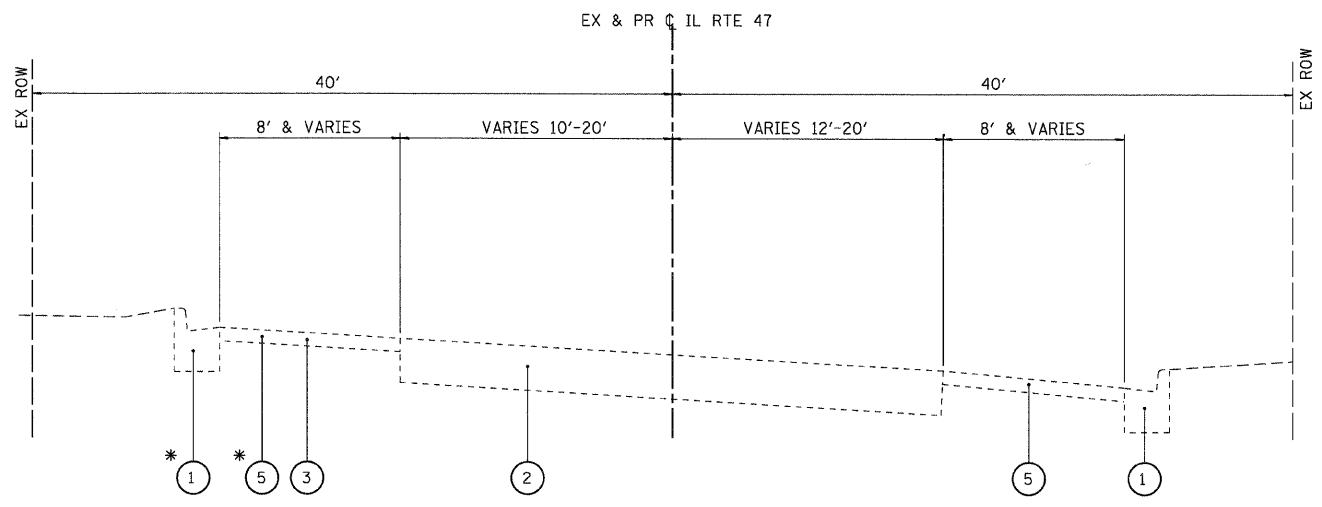
• (105X & 106) WRS-2



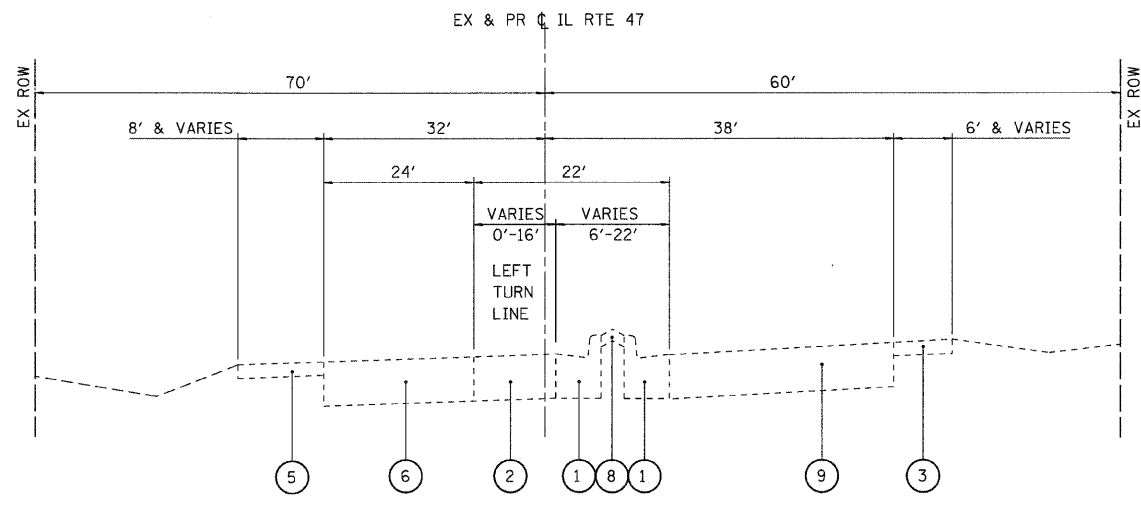
**EXISTING ILLINOIS ROUTE 47**  
STA 71+44 TO STA 105+90



**EXISTING ILLINOIS ROUTE 47**  
STA 128+10 TO STA 134+10  
\*\* STA 132+59 TO STA 134+10



**EXISTING ILLINOIS ROUTE 47**  
STA 105+90 TO STA 116+35  
\* STA 105+90 TO STA 111+76



**EXISTING ILLINOIS ROUTE 47**  
STA 134+10 TO STA 142+08.53

- EXISTING LEGEND**
- ① COMBINATION CURB AND GUTTER
  - ② COMPOSITE PAVEMENT  
BITUMINOUS OVERLAY, VARIES 3"-9",  
P.C.C. PAVEMENT, VARIES 7"-10"
  - ③ AGGREGATE SHOULDER, VARIES 2"-15"
  - ④ GRASS MEDIAN
  - ⑤ BITUMINOUS SHOULDER, 4"-8"
  - ⑥ P.C.C. PAVEMENT, 9.75"
  - ⑦ P.C.C. SIDEWALK
  - ⑧ P.C.C. MEDIAN
  - ⑨ BITUMINOUS PAVEMENT, VARIES 7.5"-14.5"



REVISIONS	
NAME	DATE

ILLINOIS DEPARTMENT OF TRANSPORTATION  
**ILLINOIS ROUTE 47**  
**EXISTING TYPICAL SECTIONS ROUTE 47**  
**SHEET 2 OF 9**

SCALE: VERT. NO SCALE  
HORIZ.  
DATE: 8/5/2009

DRAWN BY: E.D.  
CHECKED BY: B.S.

PLOT DATE = Friday, August 07, 2009  
FILE NAME = S:\11-CADD\01-INT\014\_1gn\_sec\_2.dgn  
PLOT SCALE = 1/8" = 1'-0"  
USER NAME = 3839