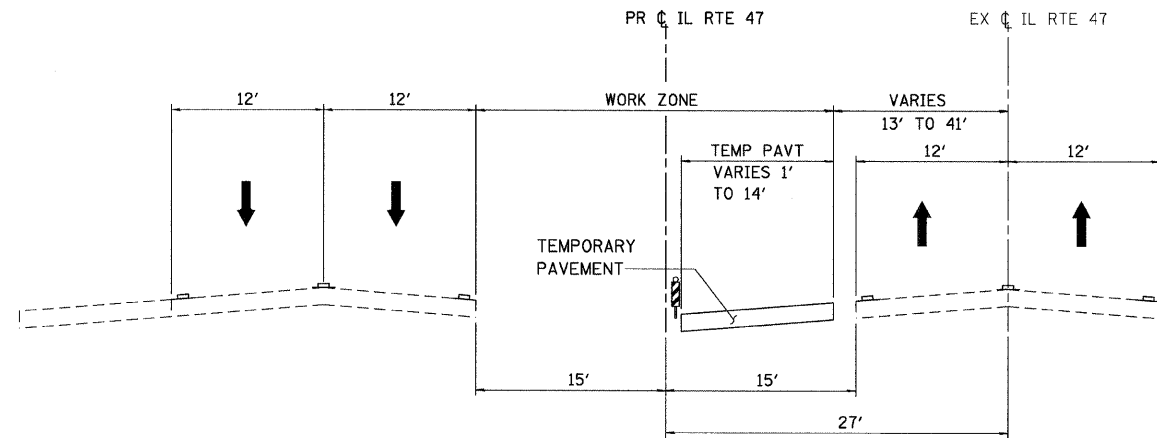
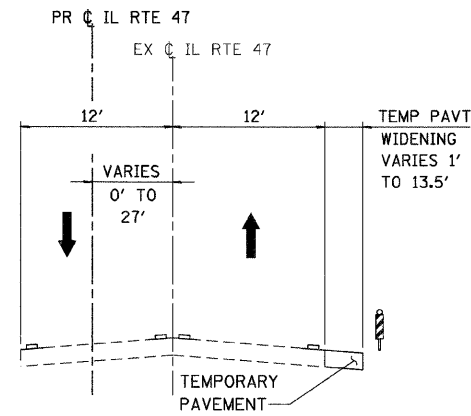


F.A.P. RTE.	SECTION	COUNTY	TOTAL SHEETS	SHEET NO.
326		McHENRY	502	48
STA. 9+35.22		TO STA. 142+08.53		
FED. ROAD DIST. NO.		ILLINOIS	FED. AID PROJECT	
• (105X & 106) WRS-2				



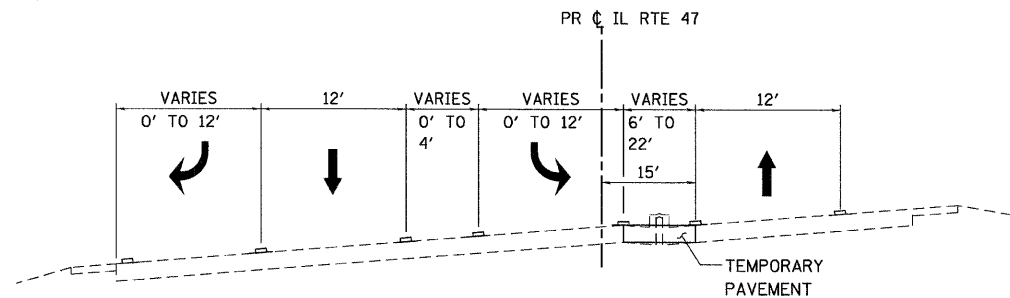
PRE-STAGE - IL RTE 47

STA 7+35.5 TO STA 12+33.8



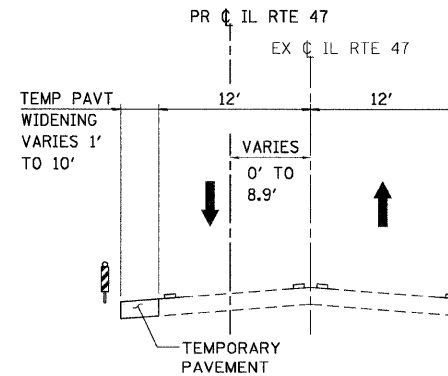
PRE-STAGE - IL RTE 47

STA 31+79.4 TO STA 35+04.5
 STA 45+75.2 TO STA 46+56.9
 STA 47+85.5 TO STA 62+18.3
 STA 63+17.5 TO STA 65+97.9
 STA 69+01.9 TO STA 75+48.0
 STA 22+08.2 TO STA 24+22.2
 STA 25+18.6 TO STA 30+95.6
 STA 123+17.5 TO STA 129+53.4



PRE-STAGE - IL RTE 47

STA 134+08.9 TO STA 143+71.9



PRE-STAGE - IL RTE 47

STA 89+57.1 TO STA 90+96.1
 STA 92+09.8 TO STA 94+98.4
 STA 95+53.0 TO STA 101+85.4
 STA 102+53.6 TO STA 104+46.1
 STA 111+81.2 TO STA 122+31.6

PRE-STAGE: IL RTE 47

STAGING:

1. INSTALL TEMPORARY TRAFFIC CONTROL DEVICES AND SIGNING.
2. MAINTAIN EXISTING LANE CONFIGURATION AND WIDTHS.
3. TRAFFIC CONTROL AND PROTECTION SHALL BE IN ACCORDANCE WITH STANDARD 701326, 701501, 701601 AND 701606. ONLY DAYTIME CLOSURES SHALL BE PERMITTED.

CONSTRUCTION:

1. CONSTRUCT TEMPORARY PAVEMENT WIDENING AND TEMPORARY CROSSOVER AT THE LOCATIONS SHOWN ON THE PLANS.
2. INSTALL EROSION CONTROL MEASURES.
3. INSTALL TEMPORARY TRAFFIC SIGNALS.

LEGEND:

- EXISTING PAVEMENT MARKING
- - - TEMPORARY PAVEMENT MARKING OR WET PAVEMENT MARKING TAPE, TYPE III
- ▨ TYPE II BARRICADES OR DRUMS @ 50' C-C WITH STEADY BURN LIGHTS
50' C-C ON TANGENTS
25' C-C ON TAPERS AND LANE SHIFTS
12' C-C RADII
- ➔ TRAFFIC DIRECTION
- ▨ VERTICAL PANELS WITH STEADY BURN LIGHTS @ 50' C-C
- ▨ TEMPORARY CONCRETE BARRIER
- ▨ LONGITUDINAL CHANNELIZER

REVISIONS	
NAME	DATE

ILLINOIS DEPARTMENT OF TRANSPORTATION
ILLINOIS ROUTE 47
MAINTENANCE OF TRAFFIC TYPICAL SECTIONS
PRE-STAGE - SHEET 1 OF 1



SCALE: VERT. NO SCALE
 HORIZ. DATE: 8/5/2009
 DRAWN BY: E.D.
 CHECKED BY: B.S.

PLOT DATE = Wednesday, August 05, 2009
 FILE NAME = S:\11-CADD\01-11\11-0418_mct_typ_mec_prestage.dwg
 PLOT SCALE = 1/8"=1'-0"
 USER NAME = 3838