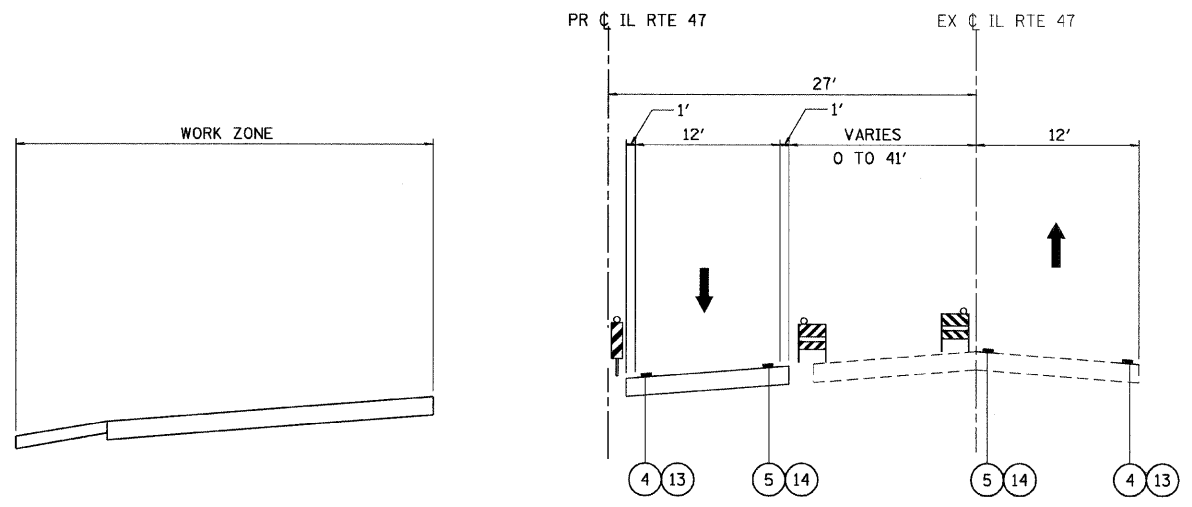
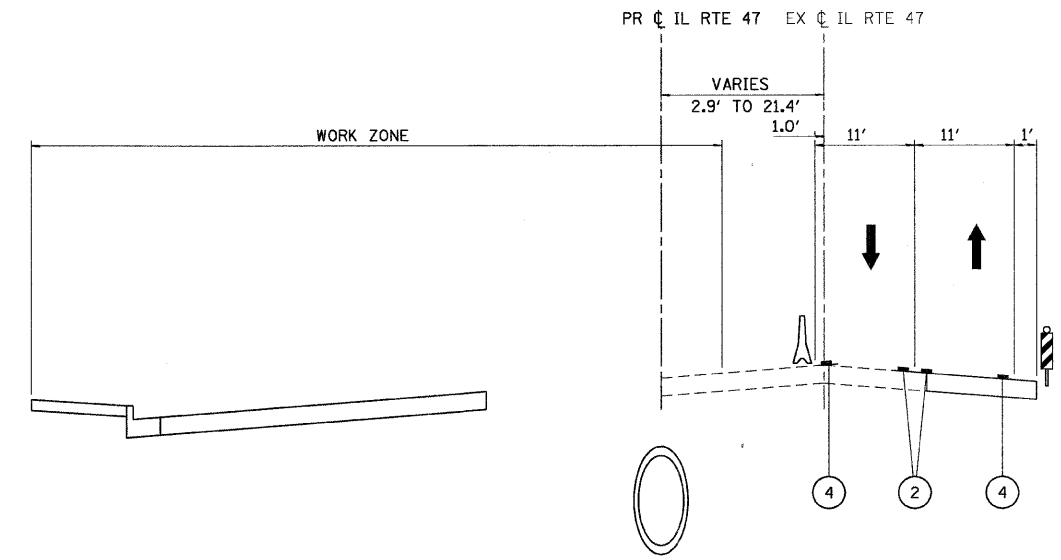


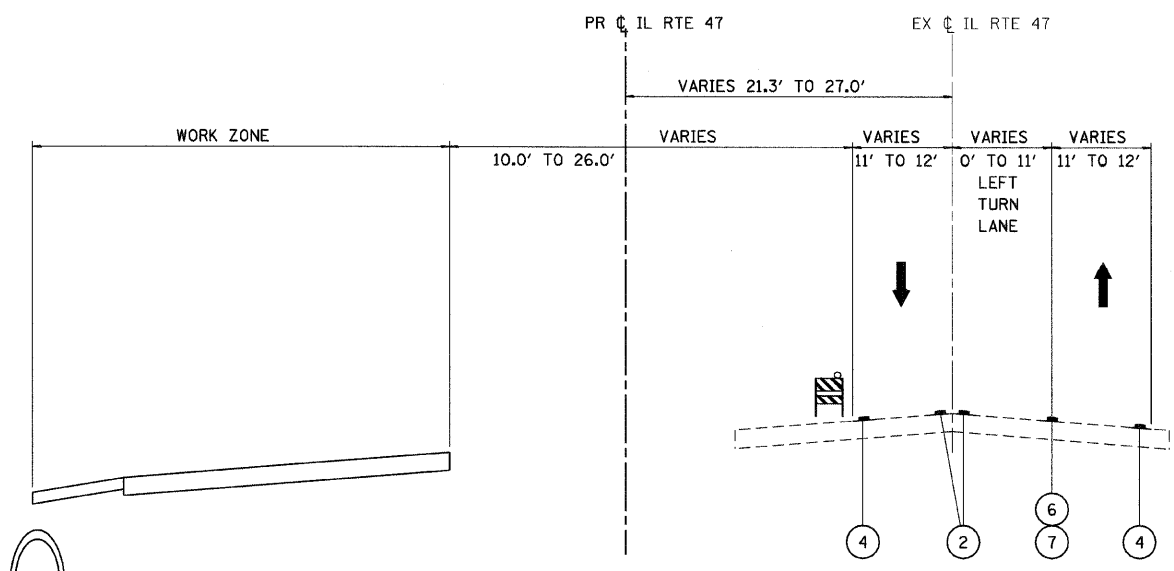
| | | | | |
|----------------------|----------|------------------|--------------|-----------|
| F.A.P. RTE. | SECTION | COUNTY | TOTAL SHEETS | SHEET NO. |
| 326 | | McHENRY | 502 | 49 |
| STA. 9+35.22 | | TO STA.142+08.53 | | |
| FED. ROAD DIST. NO. | ILLINOIS | FED. AID PROJECT | | |
| • (105X & 106) WRS-2 | | | | |



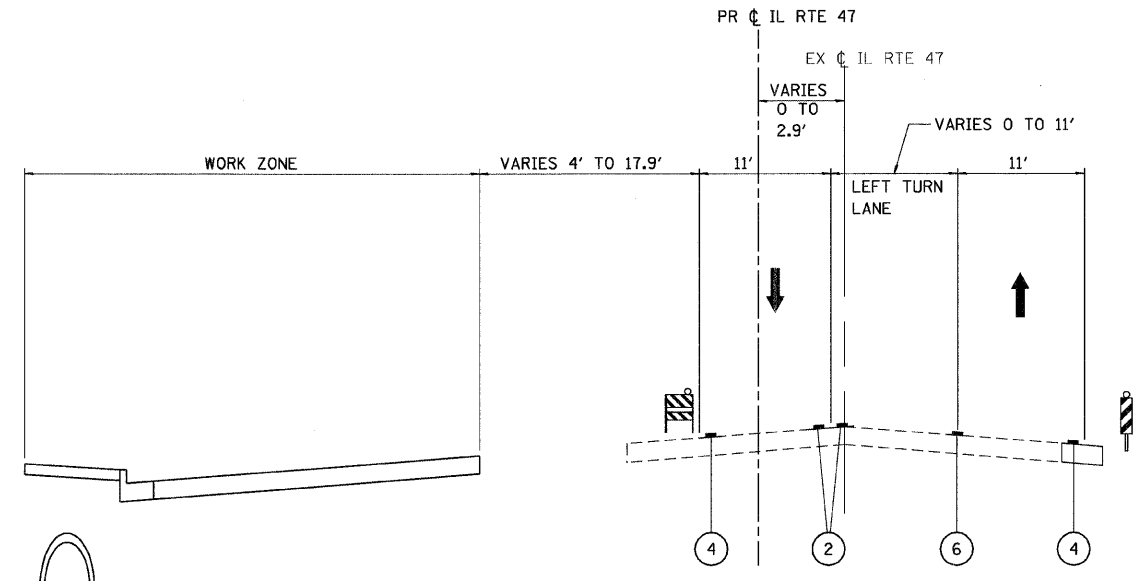
STAGE 1: IL RTE 47
STA 7+35.7 TO STA 11+59.6



STAGE 1 - IL RTE 47
STA 25+23.0 TO STA 33+29.9



STAGE 1 - IL RTE 47
STA 11+59.6 TO STA 25+23.0



STAGE 1 - IL RTE 47
STA 33+29.9 TO STA 75+89.9

PLOT DATE = Wednesday, August 05, 2009
 FILE NAME = S:\11-CADD\11-11\11\11\11\11.dgn
 PLOT SCALE = 1/8"=1'
 USER NAME = J3830



| REVISIONS | |
|-----------|------|
| NAME | DATE |
| | |
| | |
| | |
| | |
| | |
| | |
| | |
| | |
| | |
| | |

ILLINOIS DEPARTMENT OF TRANSPORTATION
ILLINOIS ROUTE 47
MAINTENANCE OF TRAFFIC TYPICAL SECTIONS
STAGE 1 - SHEET 1 OF 2

VERT. NO SCALE
 SCALE: HORIZ.
 DATE: 8/5/2009

DRAWN BY: E.D.
 CHECKED BY: B.S.