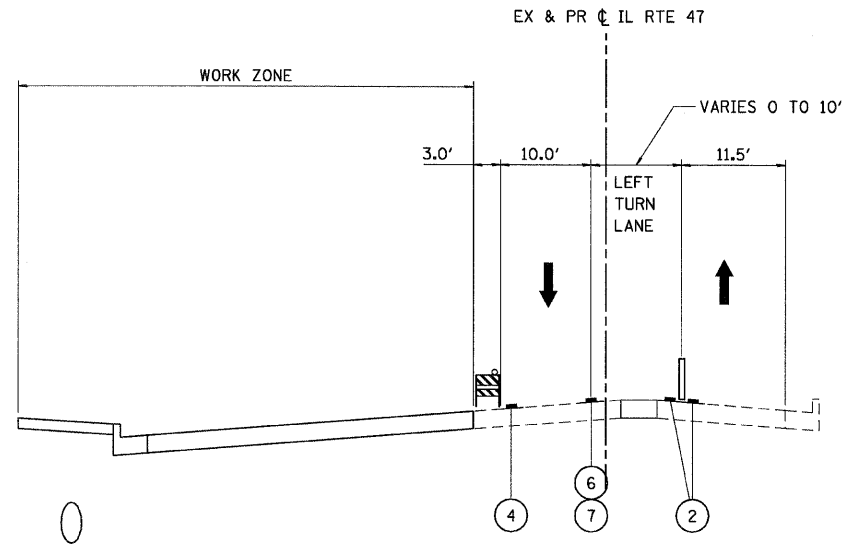
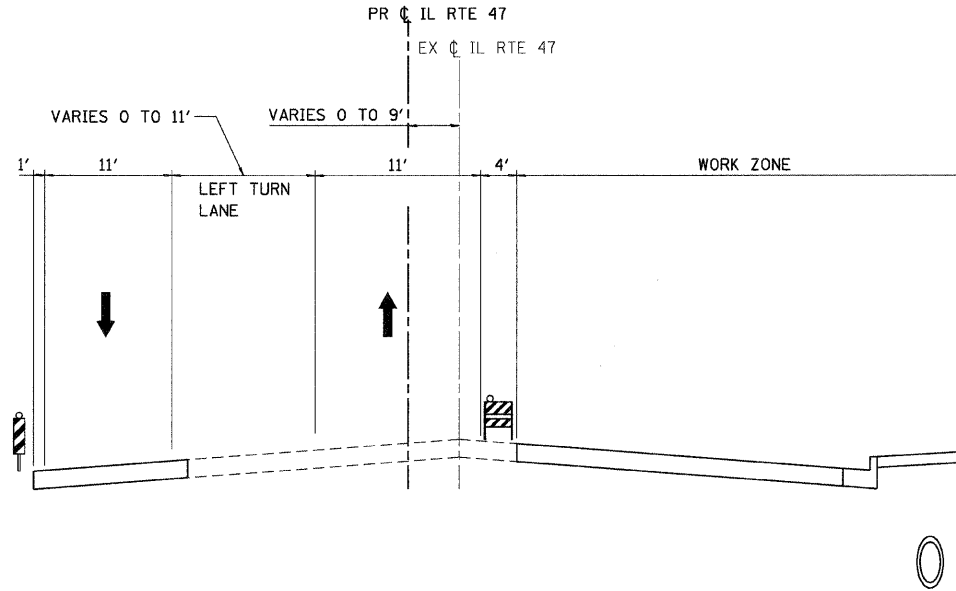


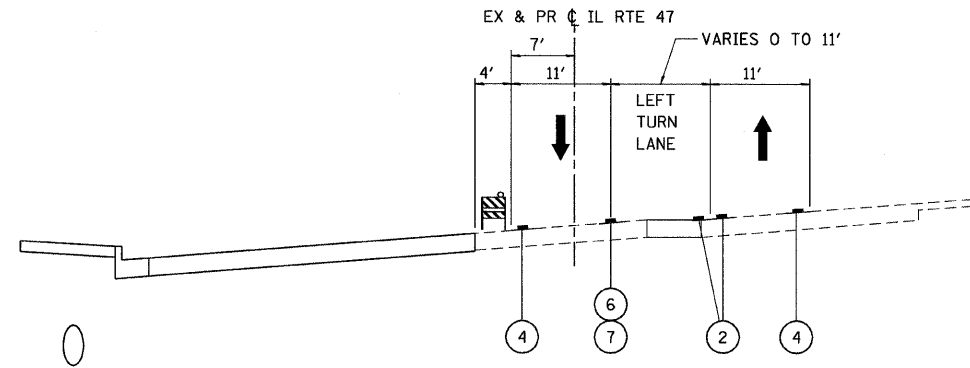
F.A.P. RTE.	SECTION	COUNTY	TOTAL SHEETS	SHEET NO.
326	*	McHENRY	502	50
STA. 9+35.22		TO STA.142+08.53		
FED. ROAD DIST. NO.		ILLINOIS	FED. AID PROJECT	
* (105X & 106) WRS-2				



STAGE 1: IL RTE 47
STA 75+89.9 TO STA 80+96.2



STAGE 1: IL RTE 47
STA 80+96.2 TO STA 123+54.0



STAGE 1: IL RTE 47
STA 123+54.0 TO STA 143+71.9

PLOT DATE = Wednesday, August 05, 2009
FILE NAME = S:\11-CADD\11-11-09\11-11-09.mxd
PLOT SCALE = 1/8"=1'
USER NAME = 3830



REVISIONS	
NAME	DATE

ILLINOIS DEPARTMENT OF TRANSPORTATION
ILLINOIS ROUTE 47
MAINTENANCE OF TRAFFIC TYPICAL SECTIONS
STAGE 1 - SHEET 2 OF 2

SCALE: VERT. NO SCALE
HORIZ. NO SCALE
DATE: 8/5/2009
DRAWN BY: E.D.
CHECKED BY: B.S.