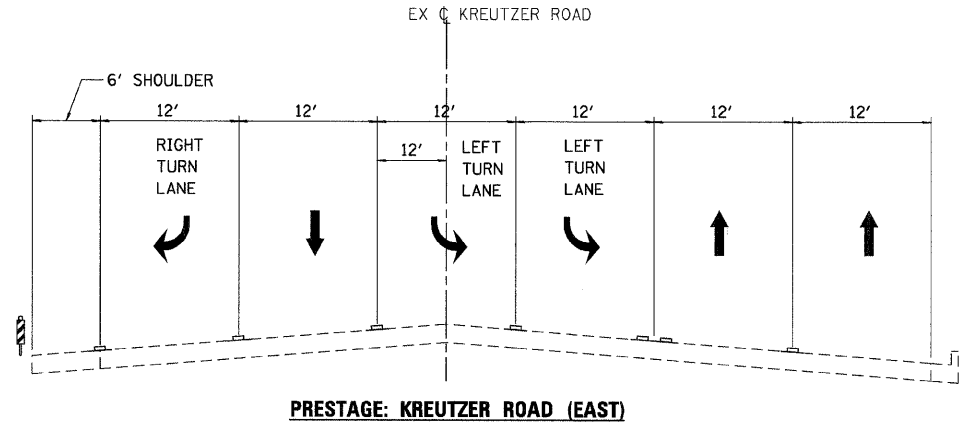
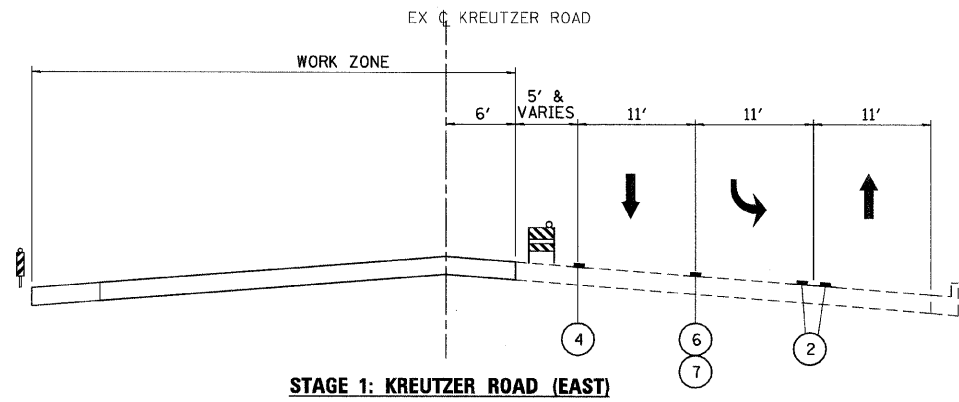


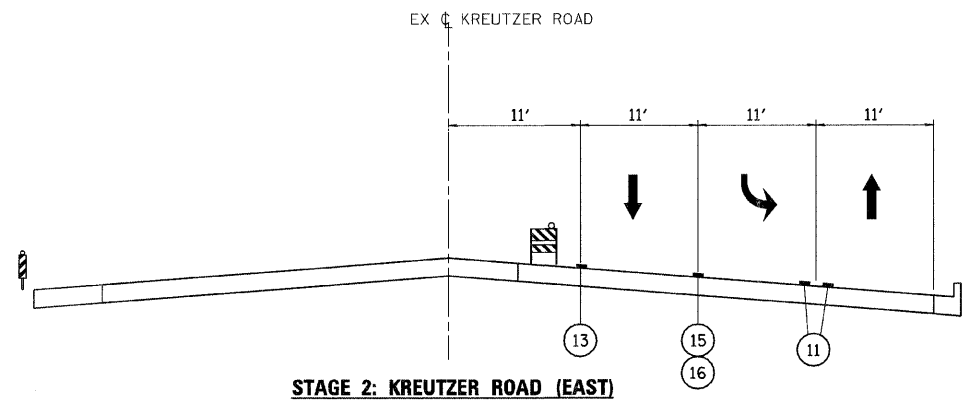
F.A.P. RTE.	SECTION	COUNTY	TOTAL SHEETS	SHEET NO.
326	•	McHENRY	502	53
STA. 9+35.22		TO STA. 142+08.53		
FED. ROAD DIST. NO.		ILLINOIS	FED. AID PROJECT	
• (105X & 106) WRS-2				



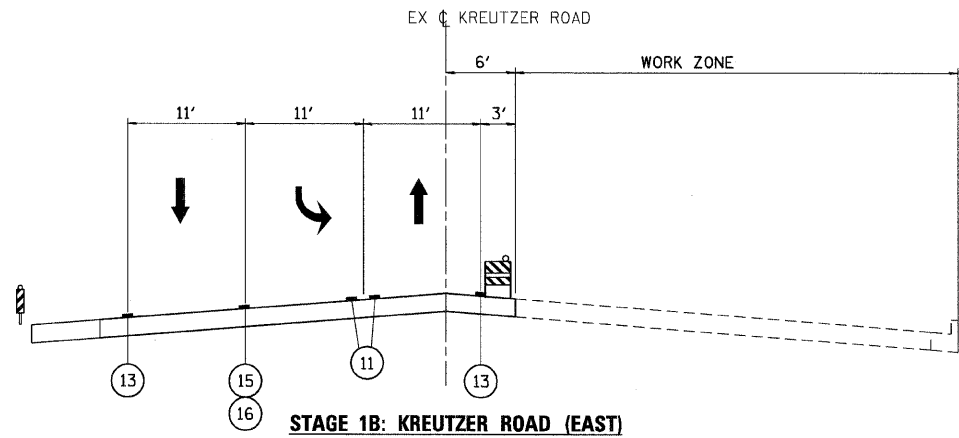
**PRESTAGE: KREUTZER ROAD (EAST)**



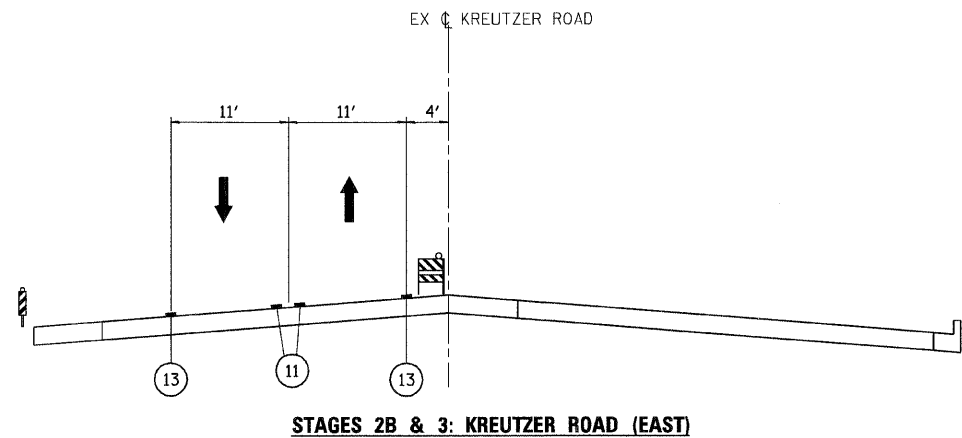
**STAGE 1: KREUTZER ROAD (EAST)**



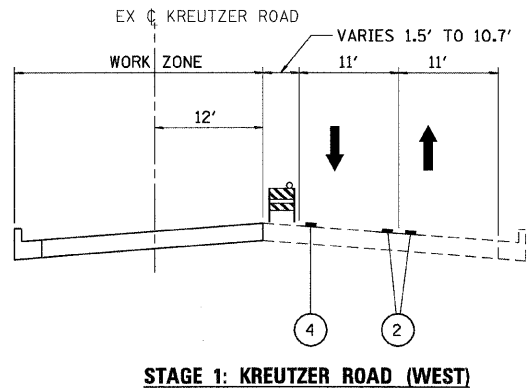
**STAGE 2: KREUTZER ROAD (EAST)**



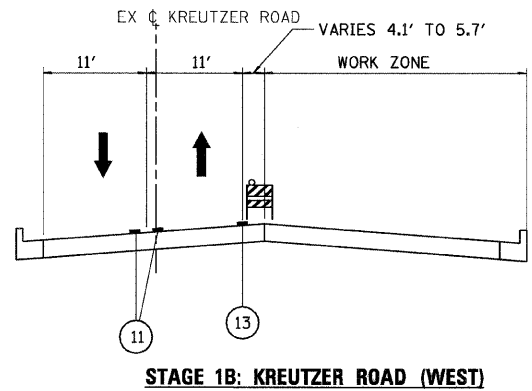
**STAGE 1B: KREUTZER ROAD (EAST)**



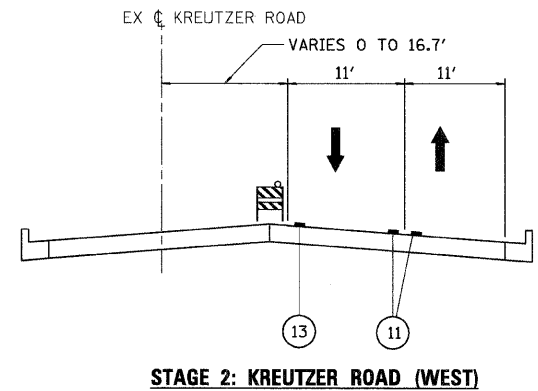
**STAGES 2B & 3: KREUTZER ROAD (EAST)**



**STAGE 1: KREUTZER ROAD (WEST)**



**STAGE 1B: KREUTZER ROAD (WEST)**



**STAGE 2: KREUTZER ROAD (WEST)**

PLOT DATE = Wednesday, August 05, 2009  
 FILE NAME = S:\11-CADD\01-11-11\1053.mxd  
 PLOT SCALE = 1/8"=1'-0"  
 USER NAME = 3859



REVISIONS	
NAME	DATE

ILLINOIS DEPARTMENT OF TRANSPORTATION  
**KREUTZER ROAD**  
 MAINTENANCE OF TRAFFIC TYPICAL SECTIONS  
 SHEET 1 OF 2

SCALE: VERT. NO SCALE  
 HORIZ. DATE: 8/5/2009  
 DRAWN BY: E.D.  
 CHECKED BY: B.S.