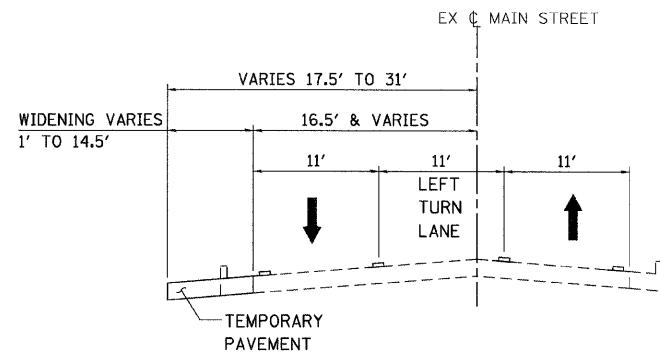
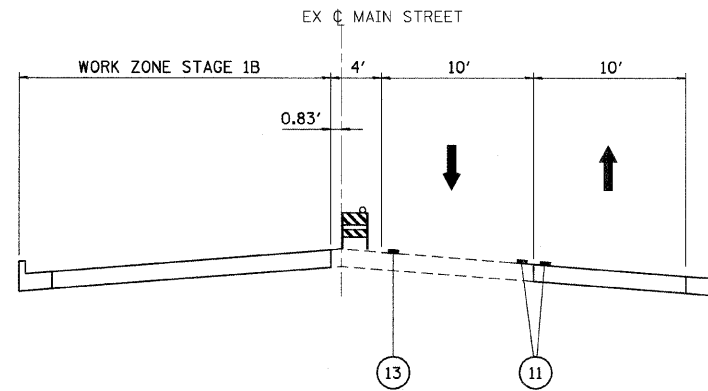


F.A.P. RTE.	SECTION	COUNTY	TOTAL SHEETS	SHEET NO.
326	*	McHENRY	502	56
STA. 9+35.22		TO STA. 142+08.53		
FED. ROAD DIST. NO.		ILLINOIS	FED. AID PROJECT	
• (105X & 106) WRS-2				



**PRE-STAGE: MAIN STREET**

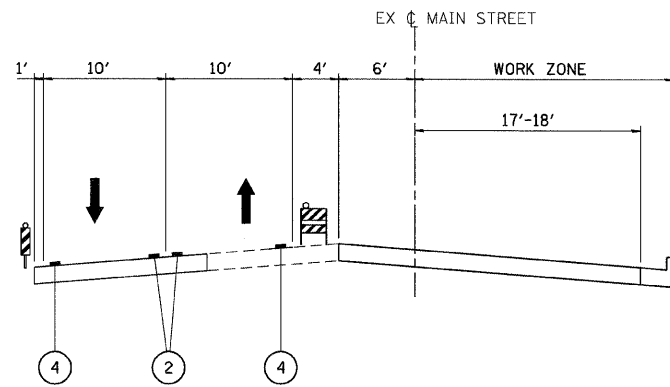
STA 493+98.7 TO STA 499+77.1  
STA 500+26.8 TO STA 501+34.9



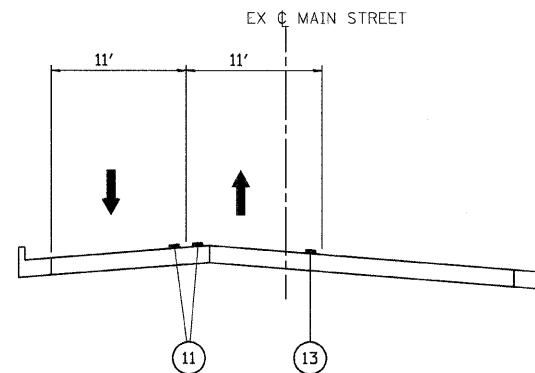
**STAGE 1B: MAIN STREET (EAST)**

**STAGE 2: MAIN STREET (EAST)**

**STAGE 3B: MAIN STREET (EAST)**

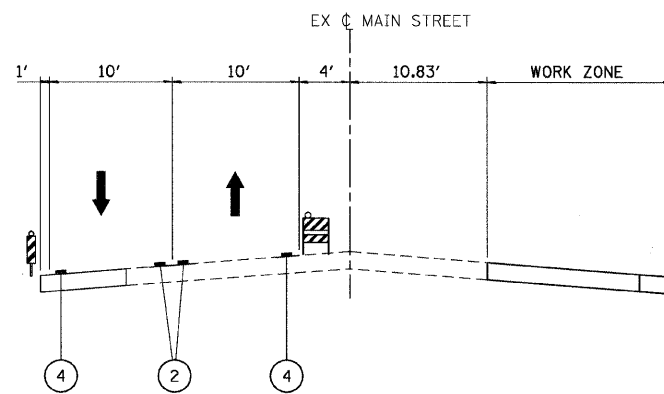


**STAGE 1: MAIN STREET (WEST)**

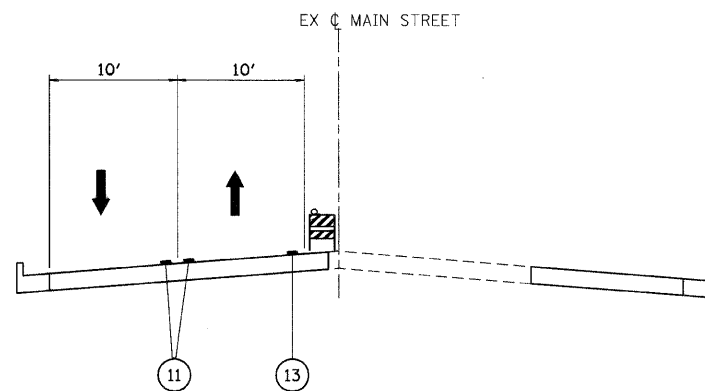


**STAGE 2B: MAIN STREET (WEST)**

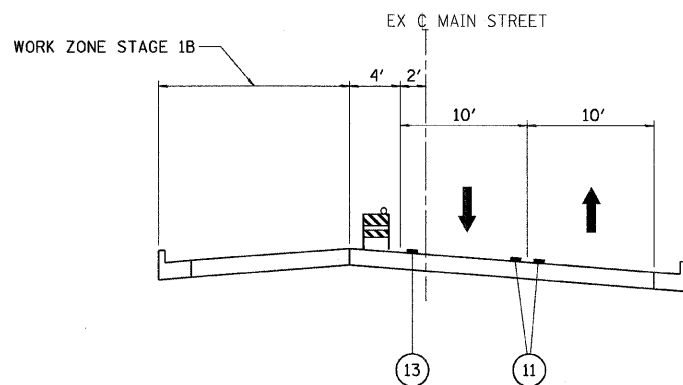
**STAGE 3: MAIN STREET (WEST)**



**STAGE 1: MAIN STREET (EAST)**



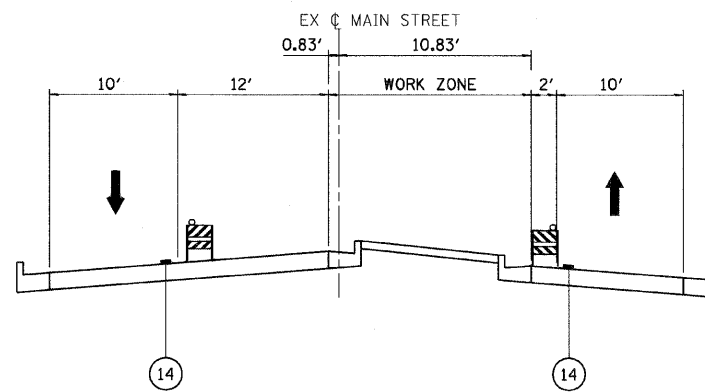
**STAGE 2B: MAIN STREET (EAST)**



**STAGE 1B: MAIN STREET (WEST)**

**STAGE 2: MAIN STREET (WEST)**

**STAGE 3B: MAIN STREET (WEST)**



**STAGE 3C: MAIN STREET (EAST)**

PLOT DATE = Wednesday, August 05, 2009  
FILE NAME = S:\11-CADD\11-mt\096.mnt\096.mnt-tp-sec-std-4.dgn  
PLOT SCALE = 1/8"=1'-0"  
USER NAME = 3838



REVISIONS	
NAME	DATE

ILLINOIS DEPARTMENT OF TRANSPORTATION  
**MAIN STREET**  
**MAINTENANCE OF TRAFFIC TYPICAL SECTIONS**  
**SHEET 1 OF 1**

SCALE: VERT. NO SCALE  
HORIZ. NO SCALE  
DATE: 8/5/2009

DRAWN BY: E.D.  
CHECKED BY: B.S.