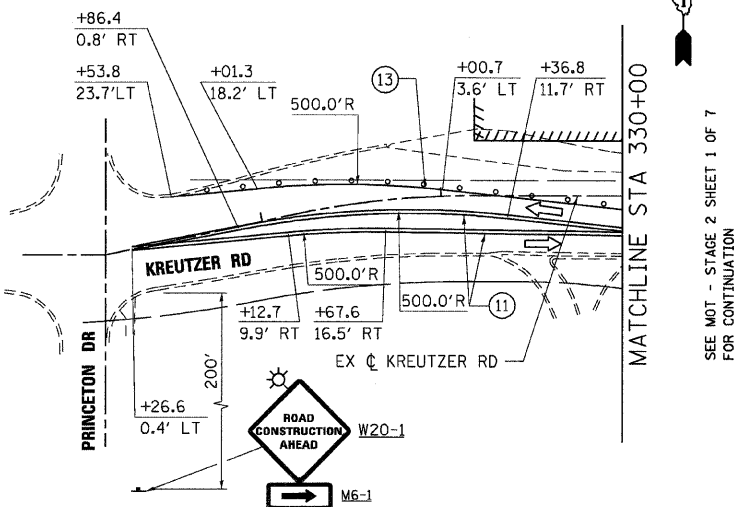
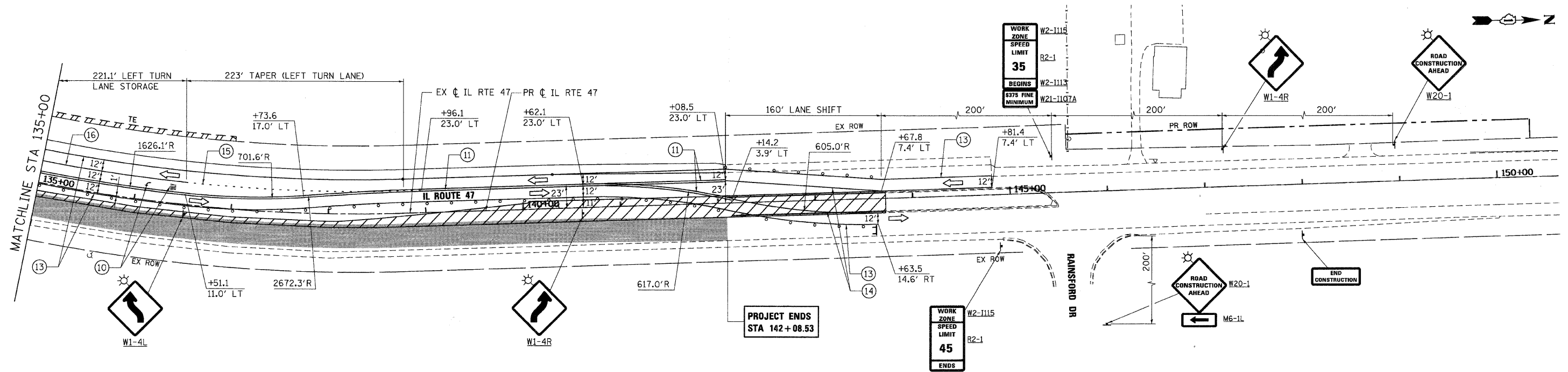
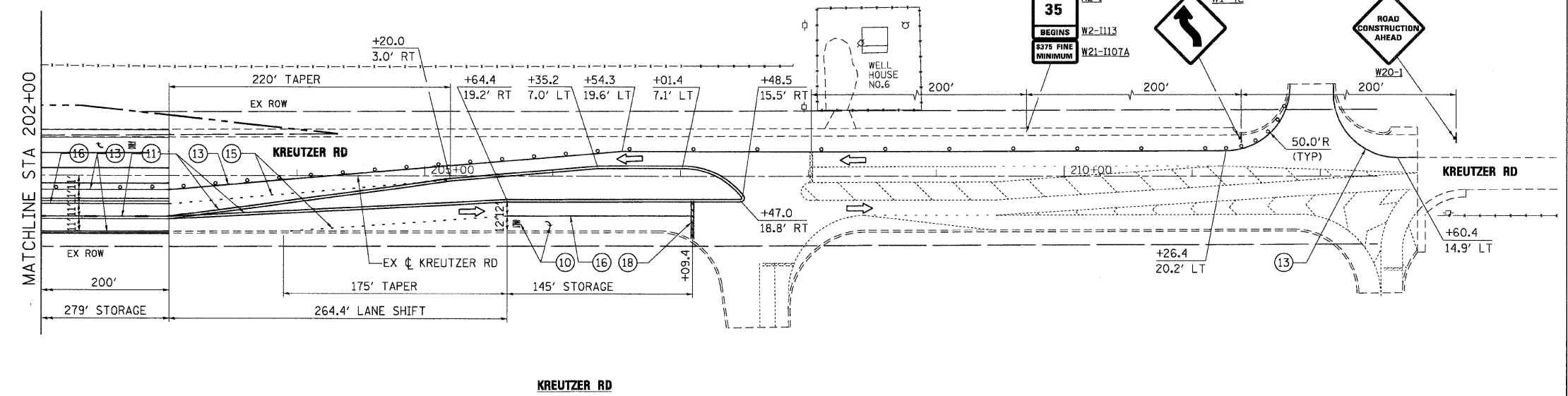


F.A.P. RTE.	SECTION	COUNTY	TOTAL SHEETS	SHEET NO.
326		McHENRY	502	87
STA. 9+35.22		TO STA. 142+08.53		
FED. ROAD DIST. NO.		ILLINOIS FED. AID PROJECT		
* (105X & 106) WRS-2				



SEE NOT - STAGE 2 SHEET 1 OF 7 FOR CONTINUATION



PLOT DATE = Wednesday, August 26, 2009  
 FILE NAME = S:\11-CADD\11-11-08\11087.mxd  
 PLOT SCALE = 1/8"=1'-0"  
 USER NAME = 3636



REVISIONS	
NAME	DATE

ILLINOIS DEPARTMENT OF TRANSPORTATION  
**ILLINOIS ROUTE 47 AND KREUTZER RD**  
 MAINTENANCE OF TRAFFIC - STAGE 2  
 SHEET 7 OF 7

SCALE: VERT. 1"=50'  
 HORIZ. 1"=100'  
 DATE: 8/5/2009  
 DRAWN BY: E.D.  
 CHECKED BY: A.A.C.