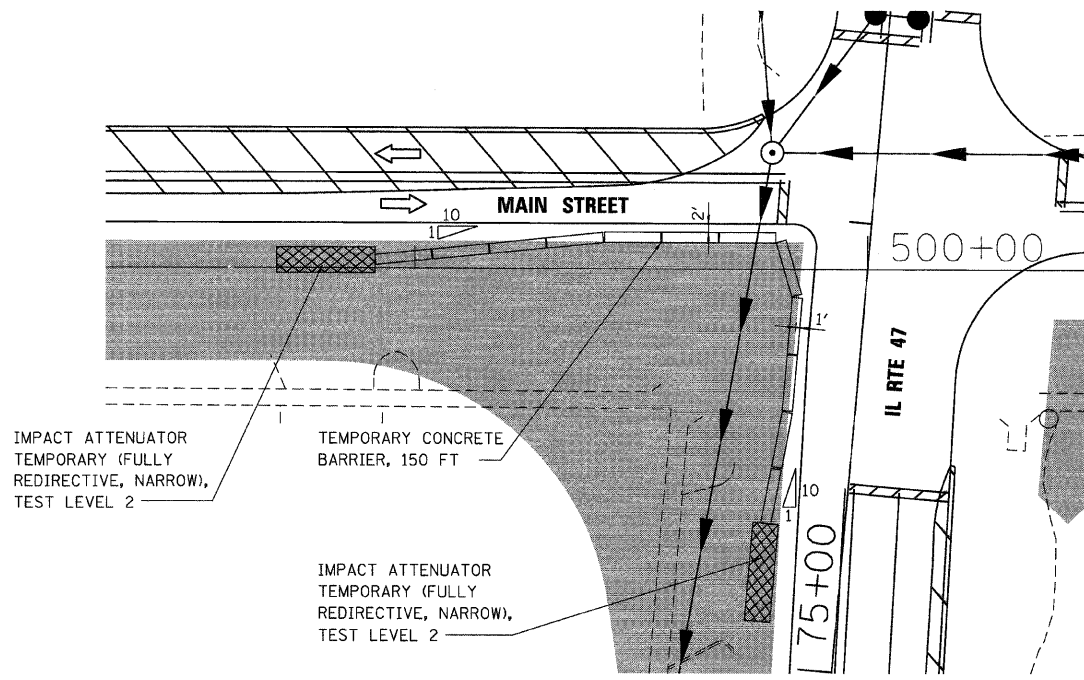
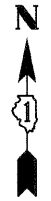
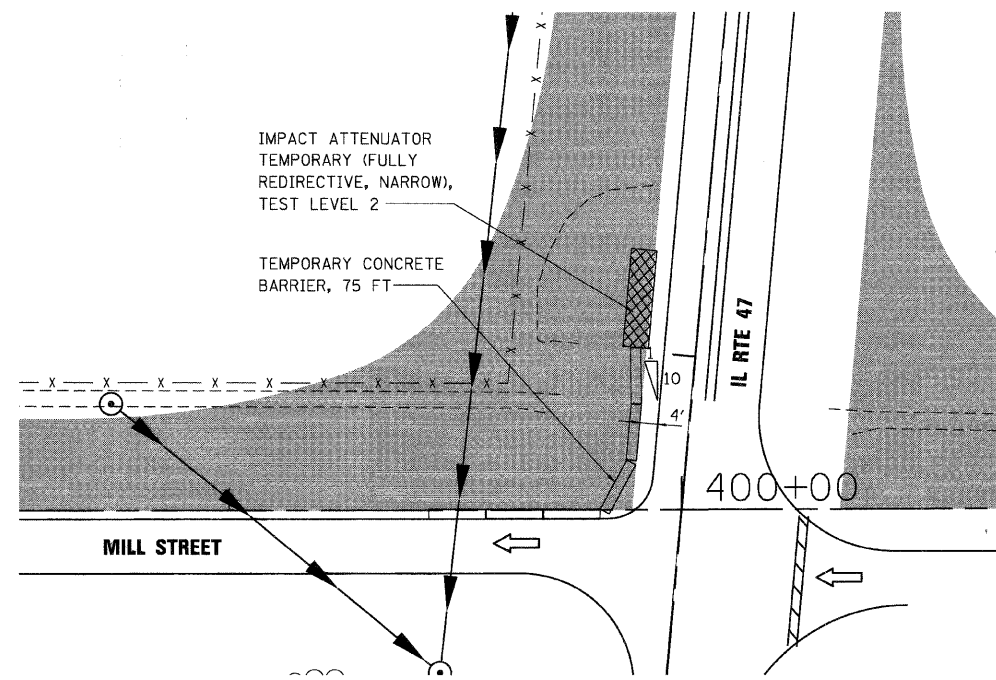


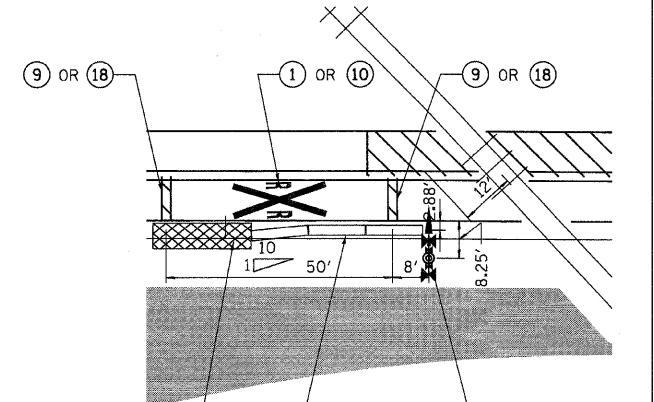
F.A.P. RTE.	SECTION	COUNTY	TOTAL SHEETS	SHEET NO.
326		McHENRY	502	108
STA. 9+35.22		TO STA.142+08.53		
FED. ROAD DIST. NO.		ILLINOIS	FED. AID PROJECT	
• (105X & 106) WRS-2				



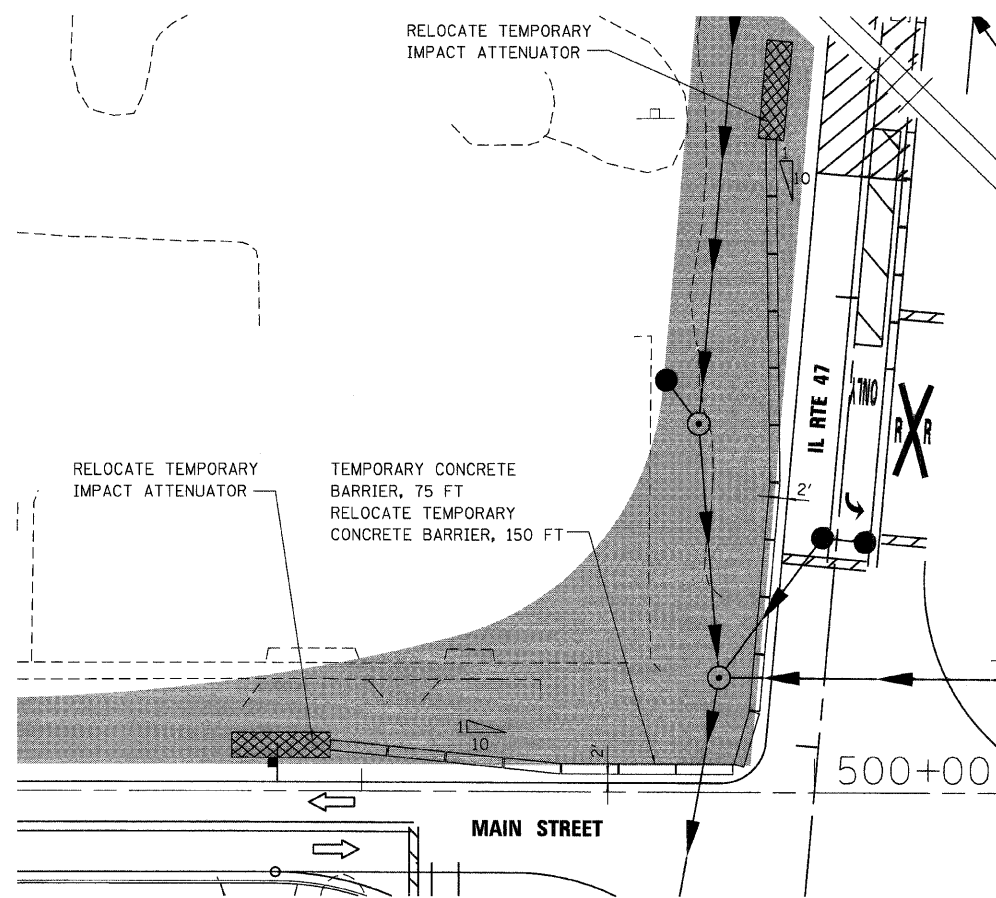
**MAIN STREET TEMPORARY BARRIER
MOT - STAGE 1 DETAIL**



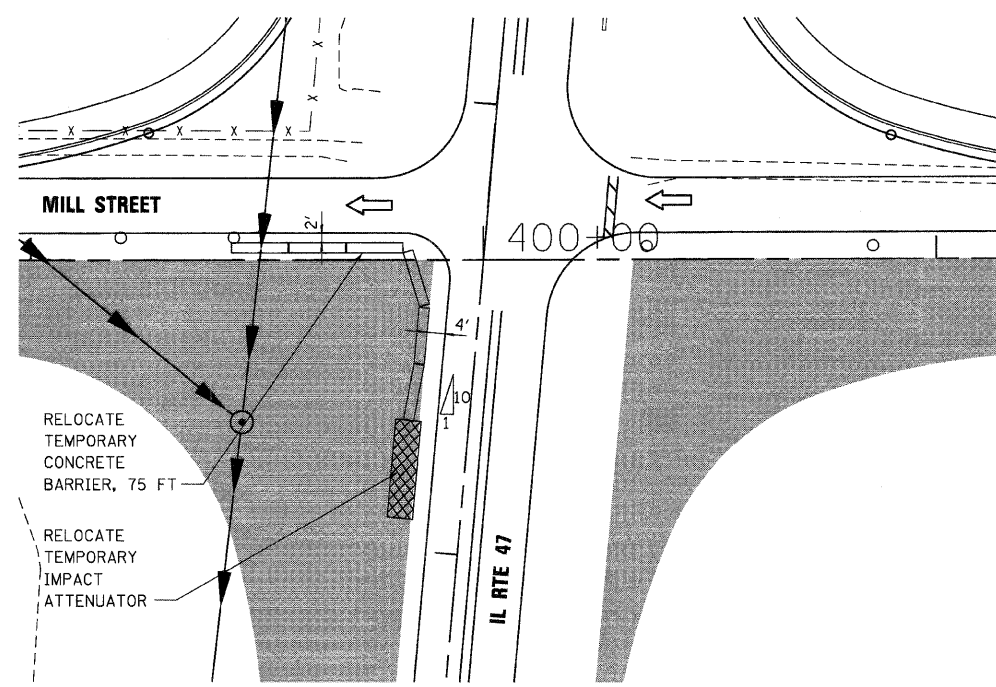
**MILL STREET TEMPORARY BARRIER
MOT - STAGE 1 DETAIL**



TEMPORARY RAILROAD CROSSING GATE DETAIL



**MAIN STREET TEMPORARY BARRIER
MOT - STAGE 1B DETAIL**



**MILL STREET TEMPORARY BARRIER
MOT - STAGE 1B DETAIL**

PLOT DATE = Friday, August 07, 2009
 FILE NAME = S:\11-CADD\81-ent\108_mot_det.dgn
 PLOT SCALE = 1/8"=1'
 USER NAME = 3659

850 West Higgins Road, Suite 730, Chicago, Illinois 60631-2001
 www.stanleygroup.com
 State Firm Registration No. 04-00533
 773.593.9524

REVISIONS	
NAME	DATE

ILLINOIS DEPARTMENT OF TRANSPORTATION
ILLINOIS ROUTE 47
MAINTENANCE OF TRAFFIC - DETAILS

SCALE: VERT. 1"=20'
 HORIZ. 1"=20'
 DATE: 8/5/2009

DRAWN BY: E.D.
 CHECKED BY: A.A.C.