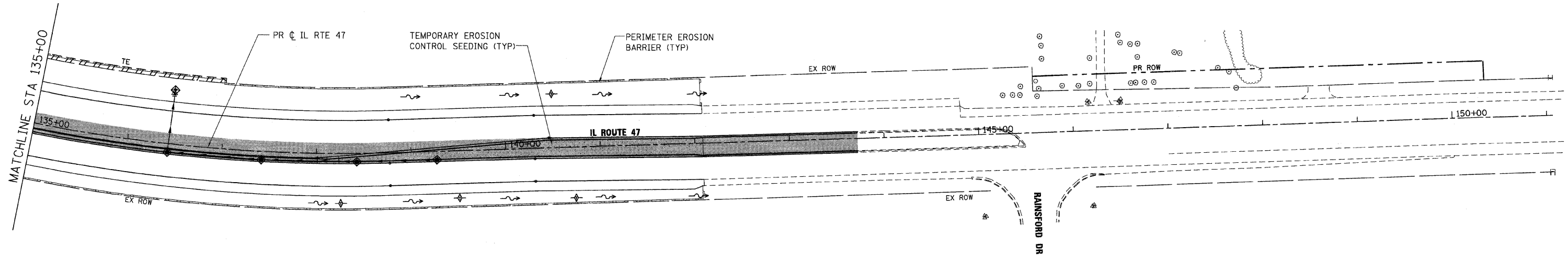


F.A.P. RTE.	SECTION	COUNTY	TOTAL SHEETS	SHEET NO.
326	*	McHENRY	502	136
STA. 9+35.22		TO STA. 142+08.53		
FED. ROAD DIST. NO.		ILLINOIS FED. AID PROJECT		
* (105X & 106) WRS-2				



PLOT DATE = Wednesday, August 05, 2009
 FILE NAME = S:\11-CADD\01-sha\136_ers.s13_ah\06.dgn
 PLOT SCALE = 50%
 USER NAME = 3830

REVISIONS	
NAME	DATE

Stanley Consultants INC.
 850 West Higgins Road, Suite 730, Chicago, Illinois 60631-2801
 www.stanleygroup.com
 Illinois Firm Registration No. 04-00533
 (773) 693-3624

ILLINOIS DEPARTMENT OF TRANSPORTATION
ILLINOIS ROUTE 47
EROSION CONTROL PLAN - STAGE 3
SHEET 6 OF 6

SCALE: VERT. 1"=50'
 HORIZ.
 DATE: 8/5/2009
 DRAWN BY: E.D.
 CHECKED BY: A.A.C