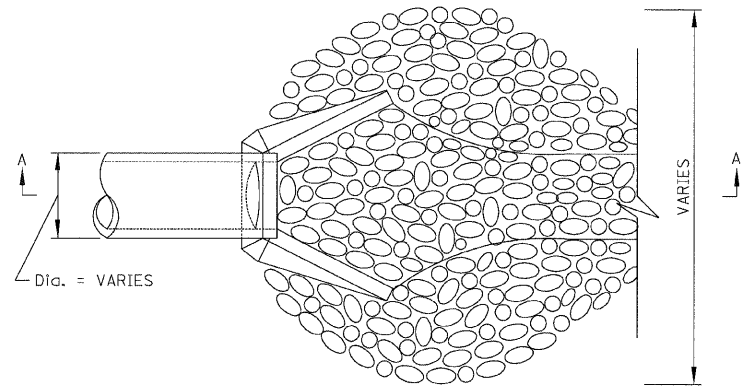
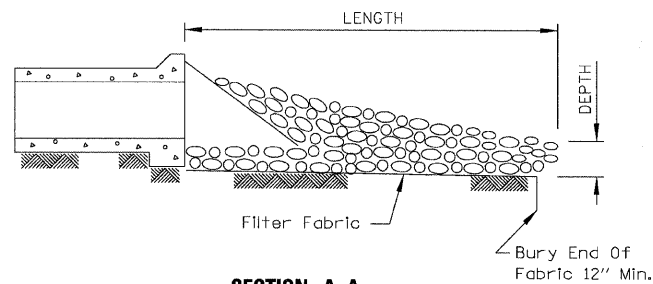


F.A.P. RTE.	SECTION	COUNTY	TOTAL SHEETS	SHEET NO.
326		McHENRY	502	145
STA. 9+35.22		TO STA. 142+08.53		
FED. ROAD DIST. NO.		ILLINOIS	FED. AID PROJECT	
• (105X & 106) WRS-2				

Pipe Outlet To Well-Defined Channel



PLAN

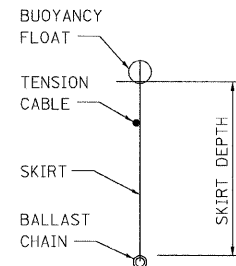


SECTION A-A

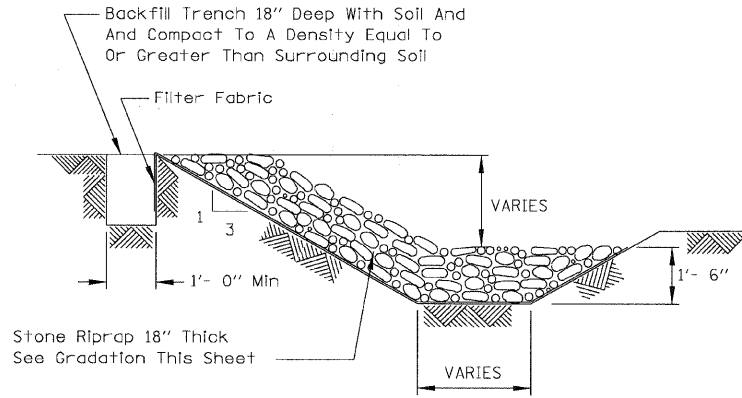
NOTES:

1. The filter fabric shall meet the material requirements as per Section 282 of the Standard Specifications.
2. The riprap shall meet IDOT requirements for STONE RIPRAP, CLASS A4.
3. The riprap shall be placed according to Section 281 of the Standard Specifications.
4. See STONE RIPRAP schedule for dimensions and quantities.

PIPE OUTLET TO CHANNEL



SECTION B-B  
NOT TO SCALE

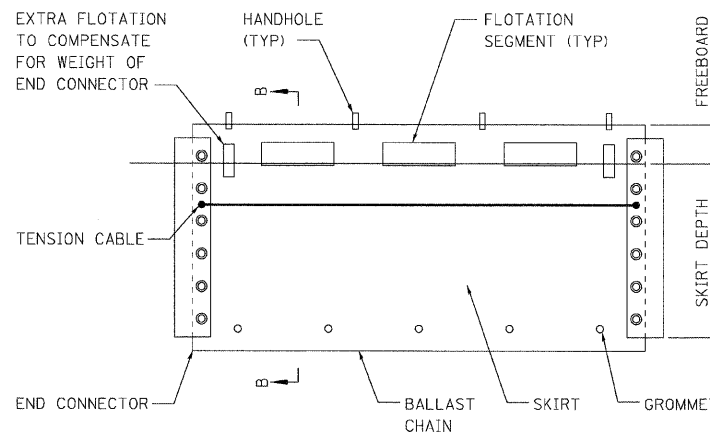


SECTION

NOTES:

1. The filter fabric shall meet the material requirements as per Section 282 of the Standard Specifications.
2. The riprap shall meet IDOT requirements for STONE RIPRAP, CLASS A4.
3. The riprap shall be placed according to Section 281 of the Standard Specifications.
4. See STONE RIPRAP schedule for dimensions and quantities.

STRUCTURAL STREAMBANK STABILIZATION - RIPRAP



ELEVATION  
NOT TO SCALE

SILT CURTAIN TO BE USED TO CONTROL SILT AND DEBRIS WHEN WORKING IN WATERWAY - SEE SPECIAL PROVISION.

SEDIMENT CONTROL, SILT CURTAIN DETAIL



REVISIONS	
NAME	DATE

ILLINOIS DEPARTMENT OF TRANSPORTATION  
**ILLINOIS ROUTE 47**  
**EROSION CONTROL DETAILS**

SCALE: VERT. 1"=50'  
HORIZ. 1"=50'  
DATE: 8/5/2009

DRAWN BY: E.D.  
CHECKED BY: A.A.C.

PLOT DATE = Wednesday, August 05, 2009  
FILE NAME = S:\11-CADD\11-11-09\11-11-09.dwg  
PLOT SCALE = 1/8"=1'-0"  
USER NAME = 3838