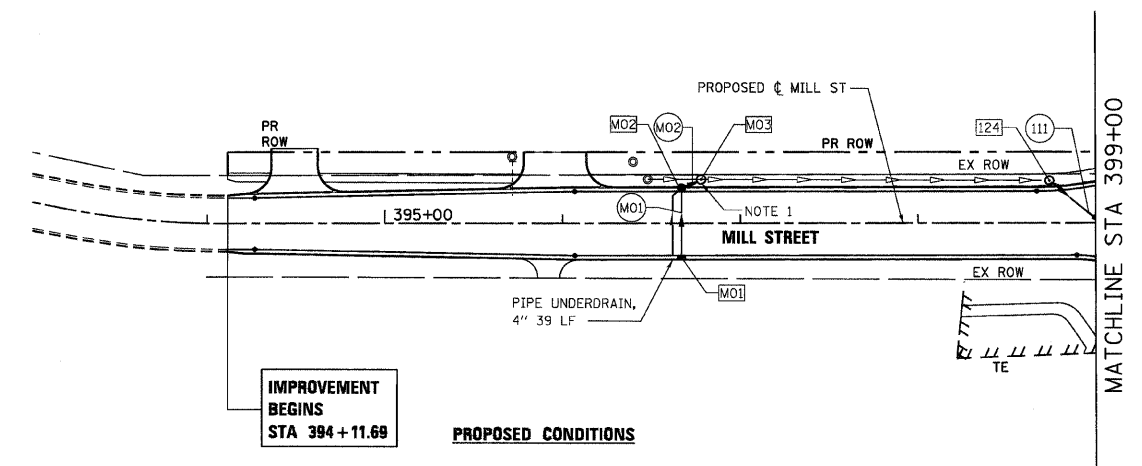
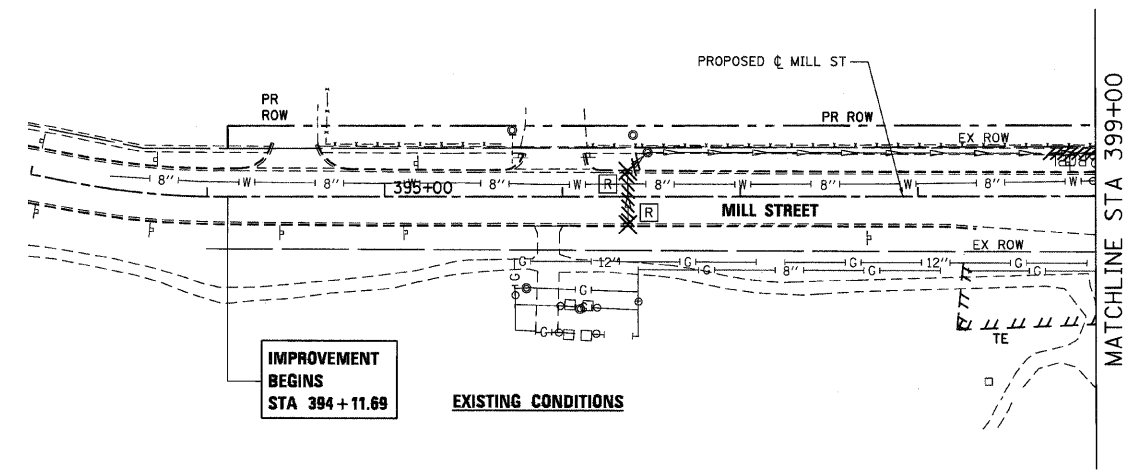


F.A.P. RTE.	SECTION	COUNTY	TOTAL SHEETS	SHEET NO.
326	*	McHENRY	502	159
STA. 9+35.22		TO STA.142+08.53		
FED. ROAD DIST. NO.		ILLINOIS FED. AID PROJECT		
* (105X & 106) WRS-2				

PLAN	DATE	BY
REVIEWED		
NOTE BOOK NO.		
ALIGNED		
CHECKED		
FILE NAME		

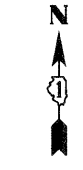
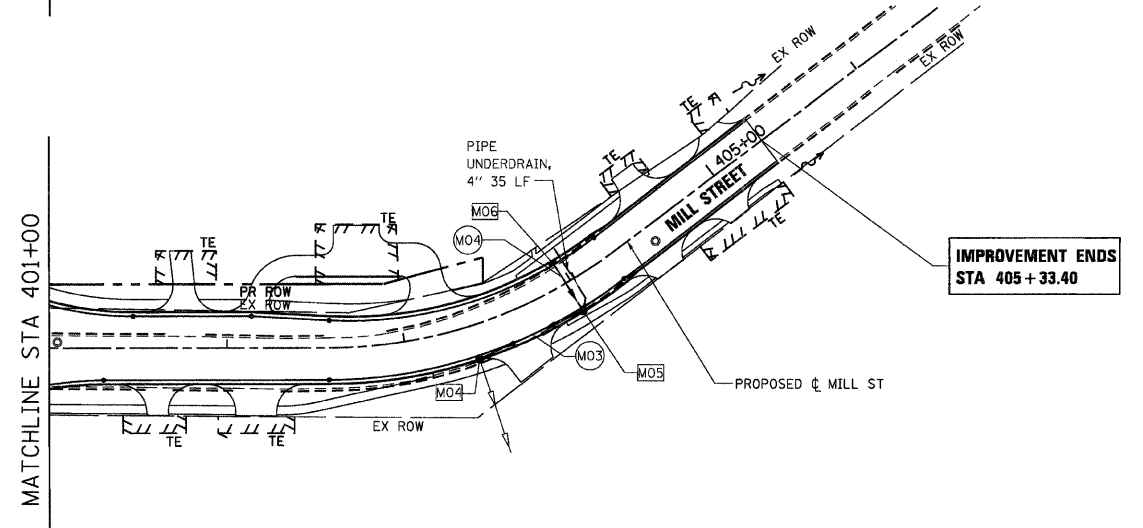
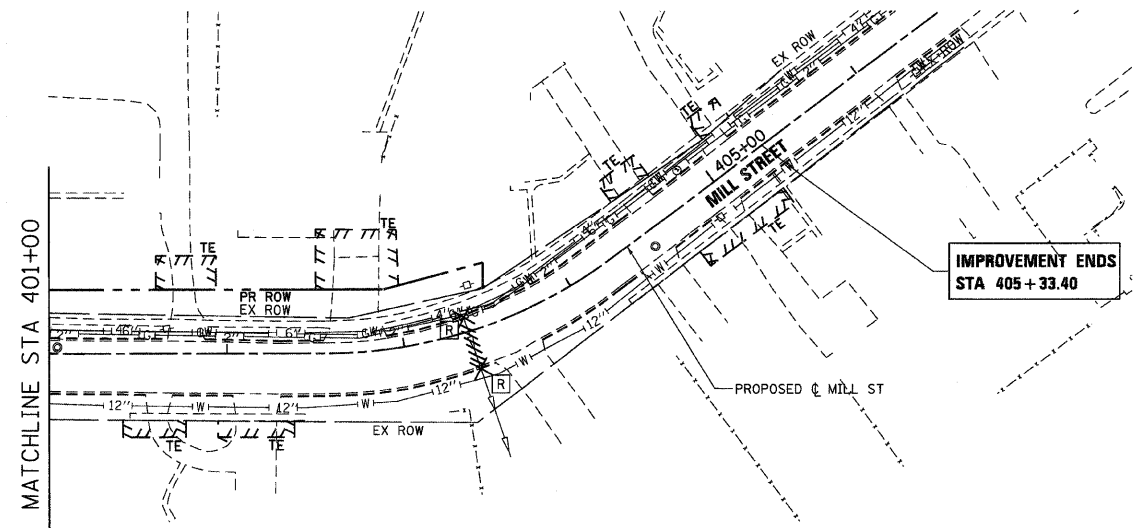
PROFILE	DATE	BY
REVIEWED		
NOTE BOOK NO.		
GRADE		
CHECKED		
FILE NAME		
STRUCTURE		
NOTATION		

PLOT DATE = Friday, August 07, 2009
 FILE NAME = S:\11-CADD\01-hh\1155_drm_sh14.dgn
 PLOT SCALE = 48.599991
 USER NAME = 3696



SEE MILL STREET
(SHEET 5 OF 19)

SEE MILL STREET
(SHEET 5 OF 19)



- NOTES:**
1. PROPOSED MANHOLE TO BE PLACED OVER EXISTING STORM SEWER. EXISTING INVERT TO BE MAINTAINED.

