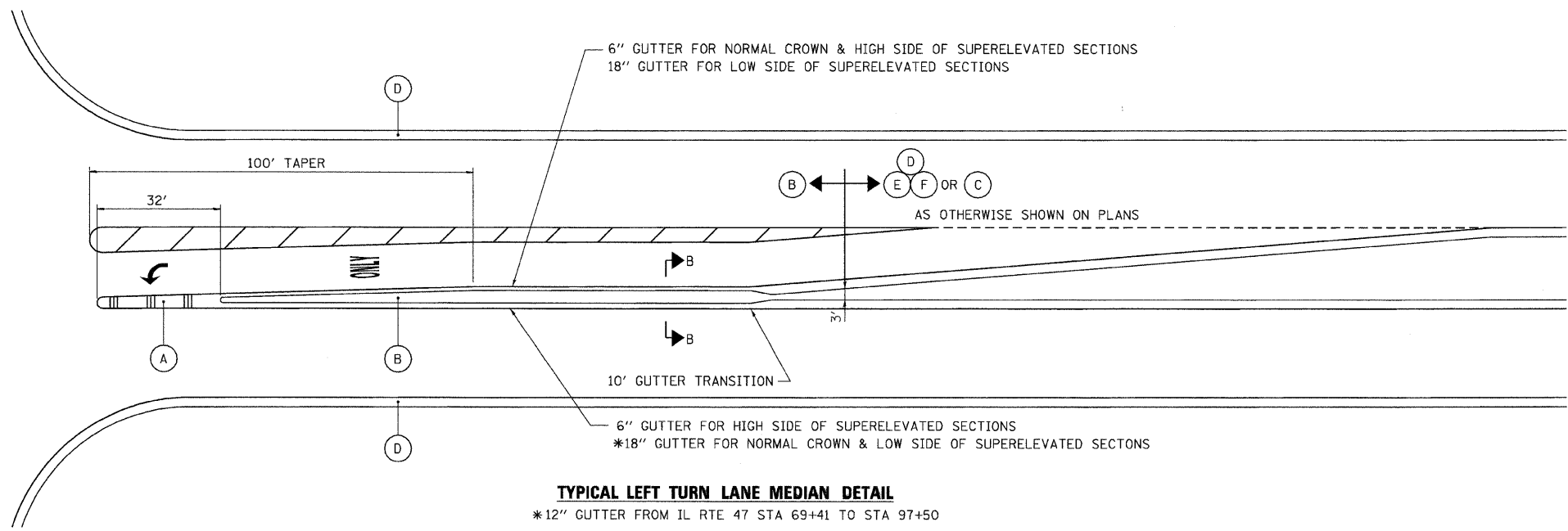
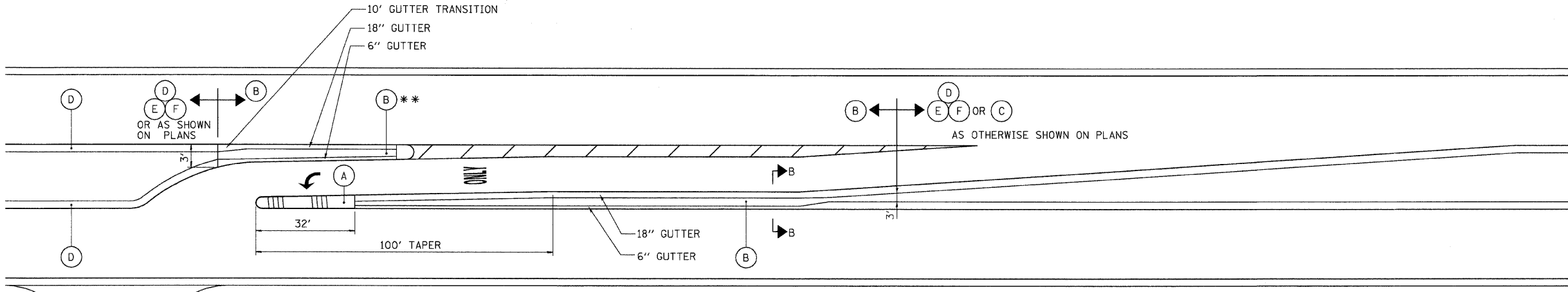


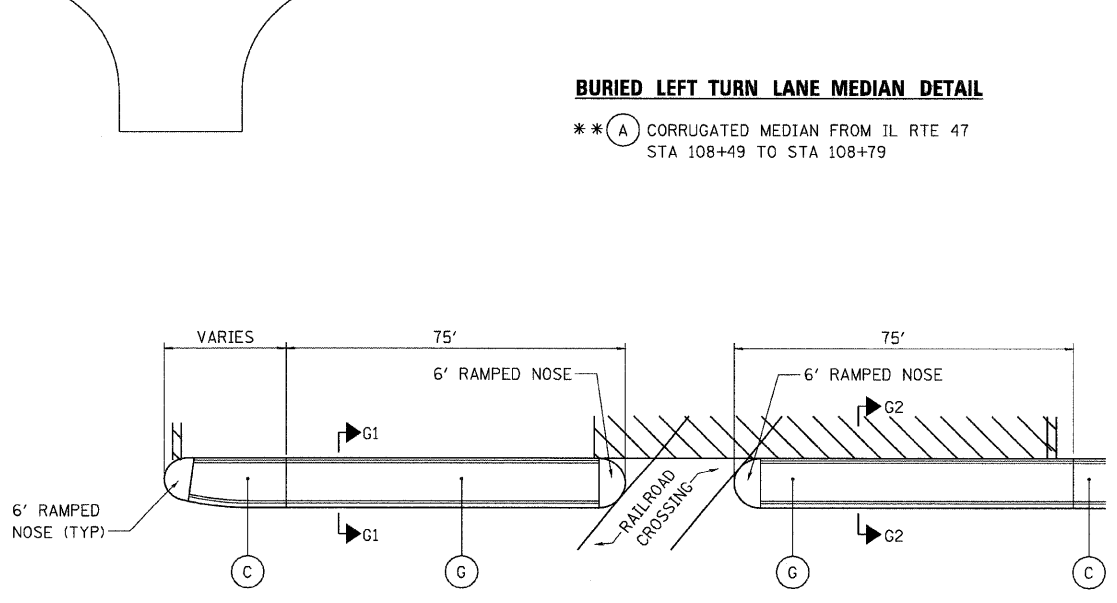
F.A.P. RTE.	SECTION	COUNTY	TOTAL SHEETS	SHEET NO.
326	*	McHENRY	502	248
STA. 9+35.22		TO STA.142+08.53		
FED. ROAD DIST. NO.		ILLINOIS FED. AID PROJECT		
* (105X & 106) WRS-2				



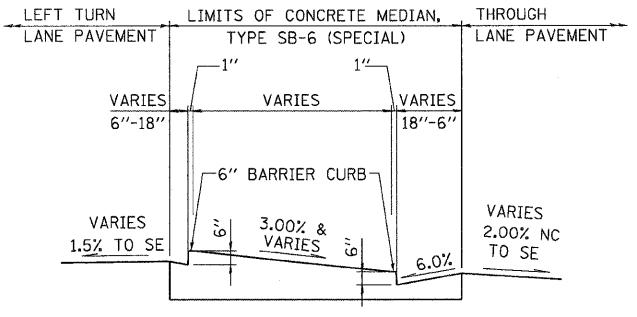
TYPICAL LEFT TURN LANE MEDIAN DETAIL
 *12" GUTTER FROM IL RTE 47 STA 69+41 TO STA 97+50



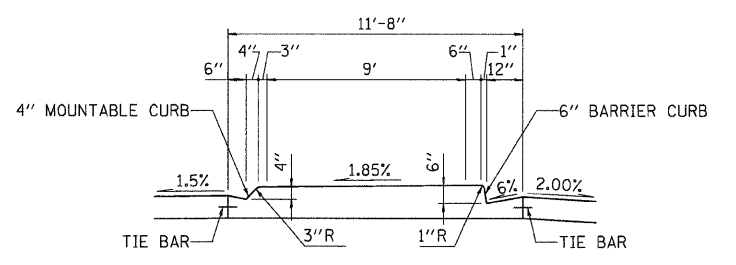
BURIED LEFT TURN LANE MEDIAN DETAIL
 ** (A) CORRUGATED MEDIAN FROM IL RTE 47 STA 108+49 TO STA 108+79



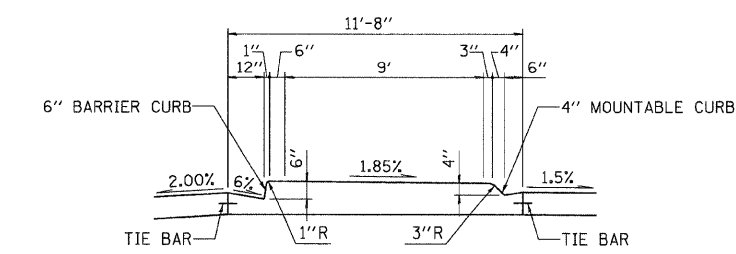
ESCAPE AREA MEDIAN DETAIL



SECTION B-B



SECTION G1-G1



SECTION G2-G2

PROPOSED LEGEND

- (A) CORRUGATED MEDIAN
- (B) CONCRETE MEDIAN, TYPE SB-6 (SPECIAL)
- (C) CONCRETE MEDIAN TYPE SB-6.12
- (D) COMBINATION CONCRETE CURB & GUTTER, TYPE B-6.24
- (E) SODDING, SALT TOLERANT
- (F) TOPSOIL, 4"
- (G) ESCAPE AREA CONCRETE MEDIAN

REVISIONS	
NAME	DATE

ILLINOIS DEPARTMENT OF TRANSPORTATION
ILLINOIS ROUTE 47
TURN LANE MEDIAN DETAILS

SCALE: VERT. NO SCALE
 HORIZ. DATE: 8/5/2009
 DRAWN BY: E.D.
 CHECKED BY: B.S.



PLOT DATE = Wednesday, August 05, 2009
 FILE NAME = S:\11-CADD\01-101\11-248-turn_lane.dwg
 PLOT SCALE = 10:1
 USER NAME = 3838