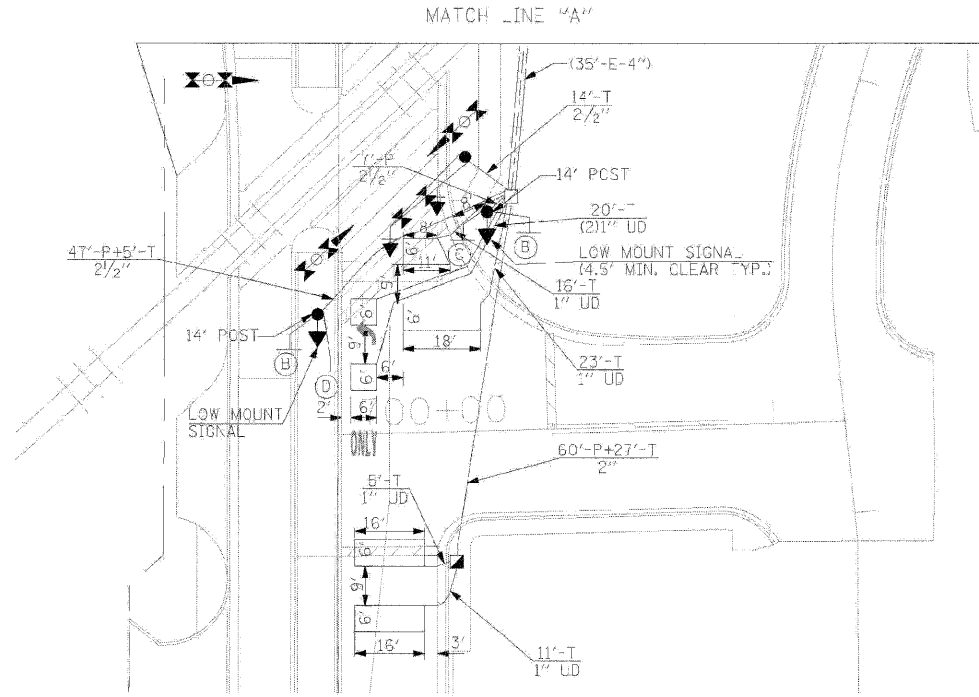
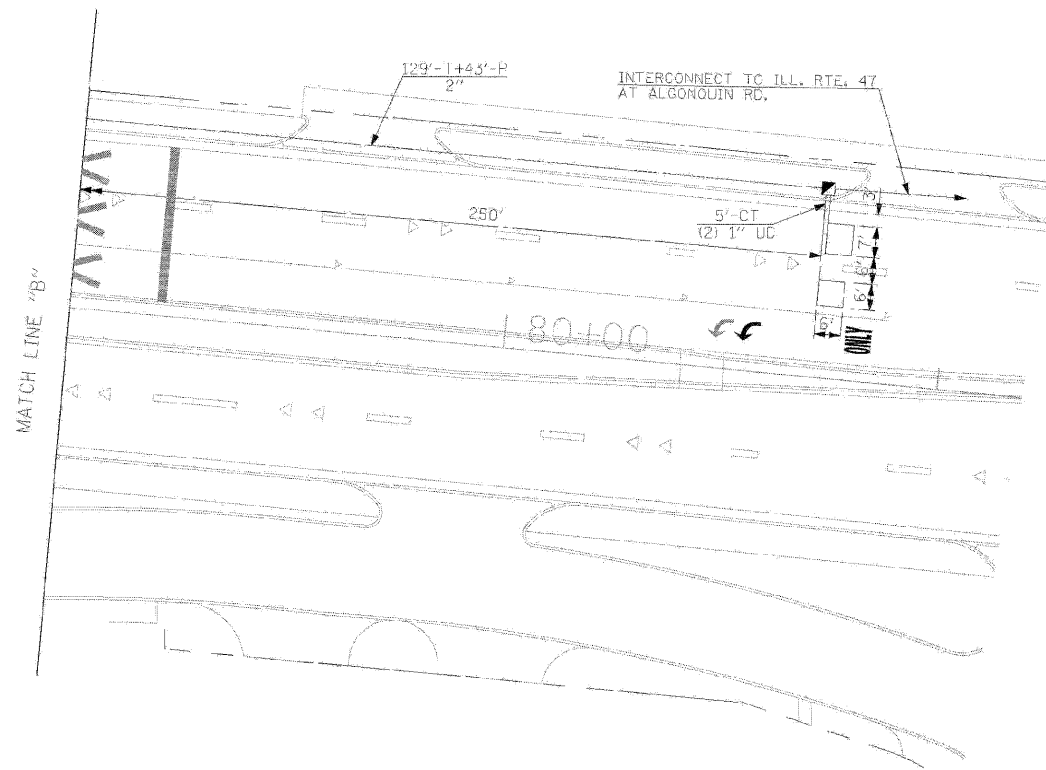
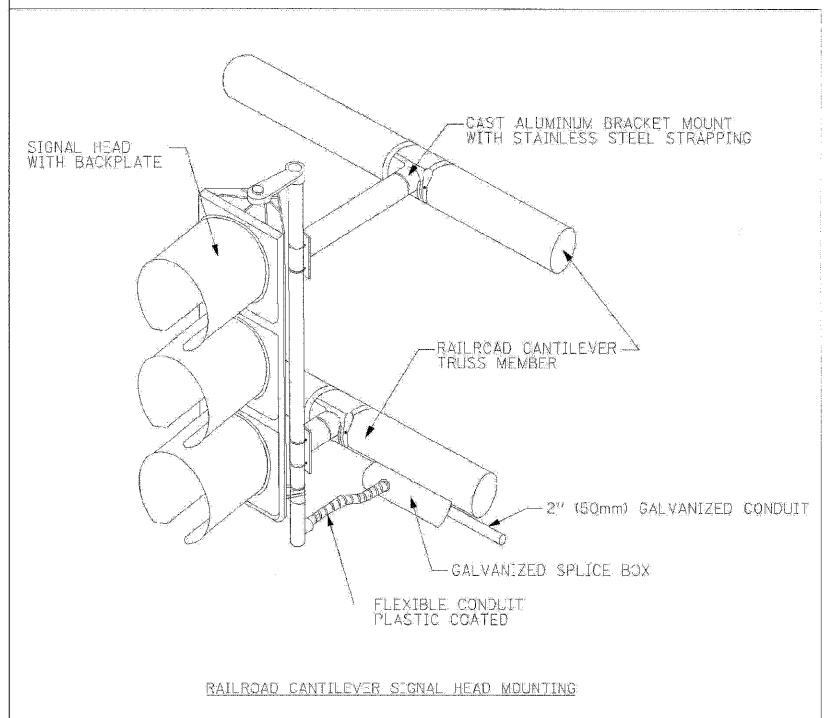
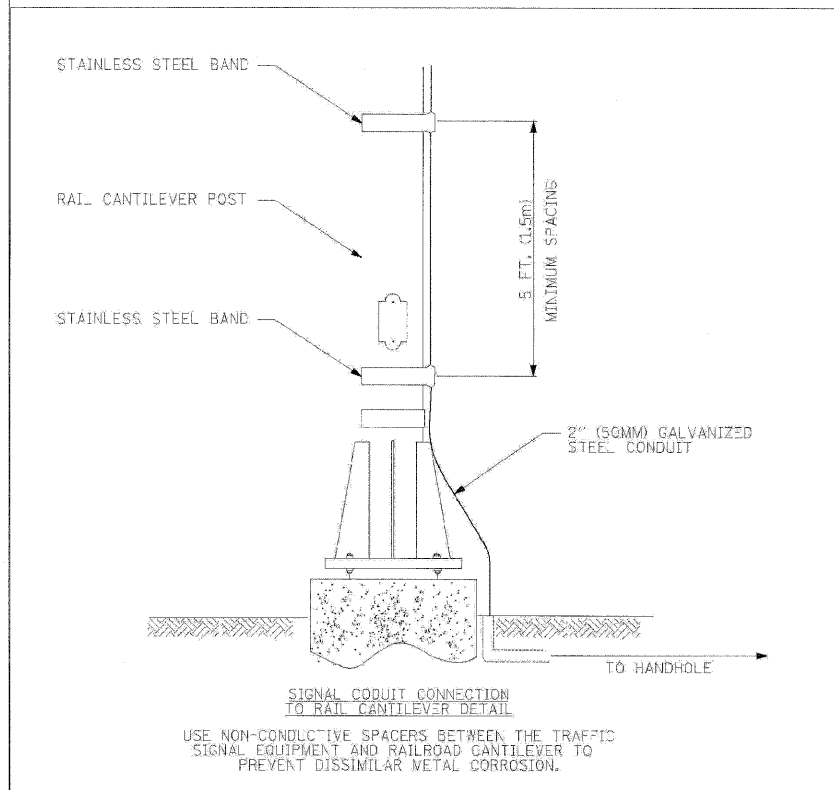
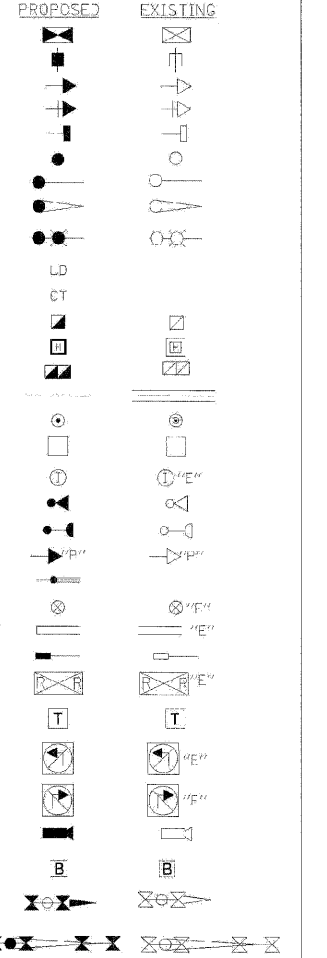


F.A.P. RTE.	SECTION	COUNTY	TOTAL SHEETS	SHEET NO.
326		McHENRY	502	291
STA. 9+35.22		TO STA.142+08.53		
FED. ROAD DIST. NO.		ILLINOIS FED. AID PROJECT		



TRAFFIC SIGNAL LEGEND

- CONTROL FR
- SERVICE INSTALLATION
- SIGNAL HEAD
- SIGNAL HEAD WITH BACKPLATE
- SIGNAL HEAD, PEDESTRIAN
- SIGNAL POST
- MAST ARM ASSEMBLY AND POLE, STEEL
- MAST ARM ASSEMBLY AND POLE, ALUMINUM
- COMBINATION MAST ARM ASSEMBLY AND POLE, STEEL WITH LUMINAIRE
- UNIT DUCT
- COMMON TRENCH
- HANDHOLE
- HEAVY DUTY HAND-OLE
- DOUBLE HANDHOLE
- GALVANIZED STEEL CONDUIT IN TRENCH OR PUSHED
- PEDESTRIAN PUSHBUTTON DETECTOR
- DETECTOR LOOP
- CAST IRON JUNCTION BOX
- EMERGENCY VEHICLE SYSTEM DETECTOR
- CONFIRMATION BEACON
- SIGNAL HEAD, OPTICALLY PROGRAMMED
- CONDUIT SPLICE
- WOOD POLE
- RACEWAY FOR MAGNETIC DETECTOR, TYPE I OR TYPE II
- VEHICLE DETECTOR, NON COMPENSATED MAGNETIC TYPE
- RAILROAD CONTROL CABINET
- TELEPHONE CONNECTION
- ILLUMINATED SIGN, FIBER OPTIC
- "NO LEFT TURN"
- ILLUMINATED SIGN, FIBER OPTIC
- "NO RIGHT TURN"
- MICROWAVE VEHICLE SENSOR
- UPS-BATTERY BACK-UP
- CROSSING GATE
- RAILROAD CANT. MAST ARM



THE TRAFFIC SIGNAL CONTROL EQUIPMENT FOR THIS PROJECT SHALL BE "EAGLE" TO MATCH THE EXISTING ADJACENT SYSTEM.

REVISIONS	
NAME	DATE

ILLINOIS DEPARTMENT OF TRANSPORTATION

TRAFFIC SIGNAL INSTALLATION
ILLINOIS ROUTE 47
AT MAIN STREET
(SHEET 2 OF 2)

SCALE: 1"=20'

DATE: APRIL 17, 2009

DRAWN BY: MAA
DESIGNED BY: PKG/RRM
CHECKED BY: PKG/RRM

GO GANDHI AND ASSOCIATES, INC.
ENGINEERS AND PLANNERS
6035 N. NORTHWEST HIGHWAY
SUITE 300
CHICAGO, ILLINOIS 60631 TEL: (773) 774-5900

GO GANDHI AND ASSOCIATES, INC.
ENGINEERS AND PLANNERS
6035 N. NORTHWEST HIGHWAY
SUITE 300
CHICAGO, ILLINOIS 60631 TEL: (773) 774-5900

PLOT DATE = Wednesday, August 05, 2009
FILE NAME = 9411-0001-01-01-201-291.dwg
PLOT SCALE = 1:1
USER NAME = 3838